



Chipsmall Limited consists of a professional team with an average of over 10 year of expertise in the distribution of electronic components. Based in Hongkong, we have already established firm and mutual-benefit business relationships with customers from,Europe,America and south Asia,supplying obsolete and hard-to-find components to meet their specific needs.

With the principle of “Quality Parts,Customers Priority,Honest Operation,and Considerate Service”,our business mainly focus on the distribution of electronic components. Line cards we deal with include Microchip,ALPS,ROHM,Xilinx,Pulse,ON,Everlight and Freescale. Main products comprise IC,Modules,Potentiometer,IC Socket,Relay,Connector.Our parts cover such applications as commercial,industrial, and automotives areas.

We are looking forward to setting up business relationship with you and hope to provide you with the best service and solution. Let us make a better world for our industry!



## Contact us

Tel: +86-755-8981 8866 Fax: +86-755-8427 6832

Email & Skype: info@chipsmall.com Web: www.chipsmall.com

Address: A1208, Overseas Decoration Building, #122 Zhenhua RD., Futian, Shenzhen, China

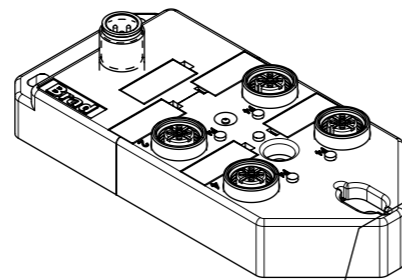
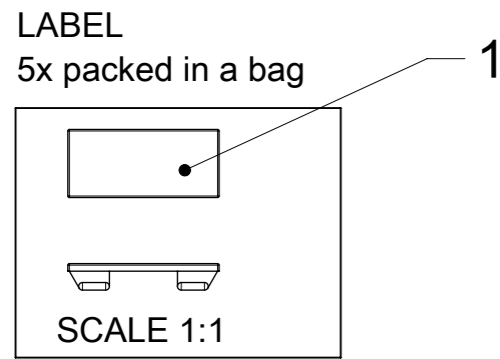
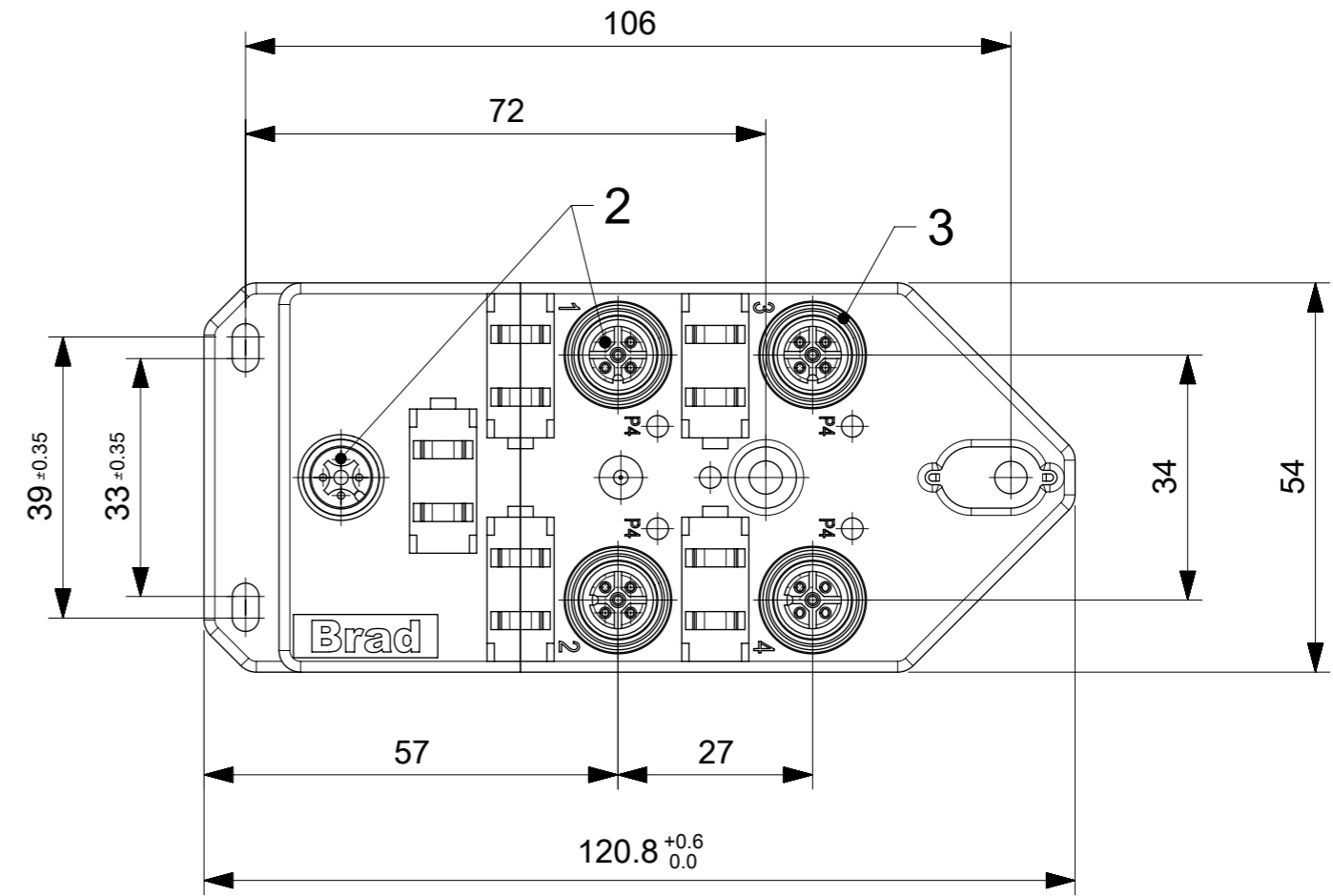


TABLE 1

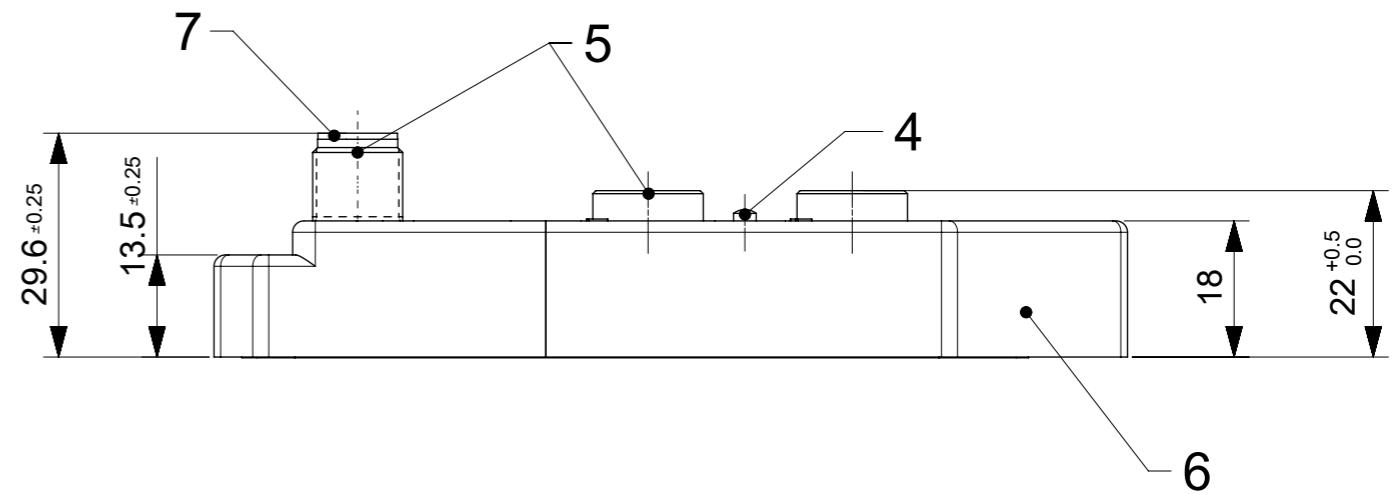
MOLEX P/N	ENG. NO.
1202480520	BTR4300-FBF

TABLE 2 BILL OF MATERIAL

ITEM	DESCRIPTION	MATERIAL	FINISH
1	LABEL	ABS	WHITE
2	CONTACT	BRASS	GOLD OVER NICKEL
3	O-RING	FPM	RED
4	LED	PA	RED
5	SHELL	BRASS	NICKEL PLATED
6	HOUSING	PBT	RED
7	INSERT	PUR	BK



PRE-RELEASE  
REFERENCE  
USE ONLY



**GENERAL CHARACTERISTICS:** SCALE 1:2

ELECTRICAL AND MECHANICAL DATA ACC. TO IEC 61076-2-101

NOMINAL VOLTAGE: 10-30 V DC  
 AMPERE RATING: 4 A PER PORT / 12 A MAX  
 AMPERE RATING WITH UL REGISTRATION: 3 A PER PORT / 9 A MAX  
 IP DEGREE OF PROTECTION: IP 67  
 TEMPERATURE RANGE: -25°C to + 85°C

THIS DRAWING CONTAINS INFORMATION THAT IS PROPRIETARY TO MOLEX INCORPORATED AND SHOULD NOT BE USED WITHOUT WRITTEN PERMISSION

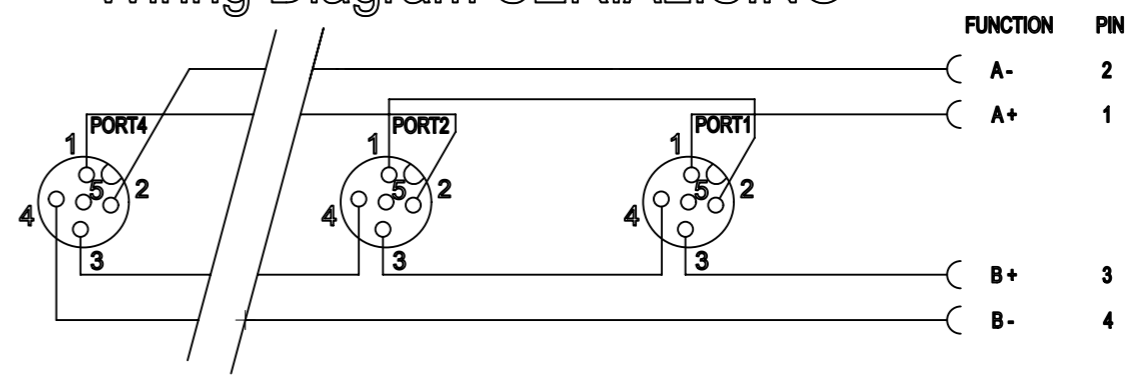
EC DESCRIPTION EC NO: 103597 DRWN: SMORADICHARG 2016/03/17 CHK'D: APPR: RSILLER 2016/03/18	QUALITY SYMBOLS	GENERAL TOLERANCES (UNLESS SPECIFIED)	DIMENSION UNITS	SCALE	
	= 0 = 0 = 0 = 0 = 0 = 0 = 0 = 0	ANGULAR TOL ± ° 4 PLACES ± 3 PLACES ± 2 PLACES ± 1 PLACE ± 0 PLACES ± 0.25	MM	1:1	
		DRAFT WHERE APPLICABLE MUST REMAIN WITHIN DIMENSIONS	DRWN BY	DATE	
			UULETTENMEIER	2015/04/28	
		CHK'D BY	DATE		
		APPR BY	DATE		
		RSILLER	2015/12/23		
		DRAWING SIZE	THIRD ANGLE PROJECTION		
		A3			

PRODUCT CUSTOMER DRAWING			
SERIES	MATERIAL NUMBER	CUSTOMER	
120248	SEE TABLE 1	GENERAL MARKET	
DOCUMENT NUMBER	DOC TYPE	DOC PART	SHEET NUMBER
1202480520	PSD	000	1 OF 2

E

E

# Wiring Diagram SERIALISING



D

D

C

C

B

B

A

A

THIS DRAWING CONTAINS INFORMATION THAT IS PROPRIETARY TO MOLEX INCORPORATED AND SHOULD NOT BE USED WITHOUT WRITTEN PERMISSION

EC DESCRIPTION EC NO: 103597 DRWN: SMORADICHARG 2016/03/17 CHK'D: APPR: RSILLER 2016/03/18	QUALITY SYMBOLS	GENERAL TOLERANCES (UNLESS SPECIFIED)	DIMENSION UNITS	SCALE								
	▽ = 0 ▽ = 0 ▽ = 0 ▼ = 0 ▽ = 0 ☒ = 0 ■ = 0 ▽ = 0	ANGULAR TOL ± ° 4 PLACES ± 3 PLACES ± 2 PLACES ± 1 PLACE ± 0 PLACES ± 0.25 DRAFT WHERE APPLICABLE MUST REMAIN WITHIN DIMENSIONS	MM 1:1	DRWN BY ULETTENMEIER 2015/04/28 DATE					DATE 2015/04/28	MPIS M12 SAFETY NOS 5P 4PT AC FE 4P MA AC RD STA SINGLE		
	APPR BY RSILLER 2015/12/23 DATE	DRWN BY ULETTENMEIER 2015/04/28 DATE	DATE 2015/04/28	PRODUCT CUSTOMER DRAWING								
	A1	REV	DRAFT WHERE APPLICABLE MUST REMAIN WITHIN DIMENSIONS	DRAWING SIZE A3	THIRD ANGLE PROJECTION	SERIES 120248	MATERIAL NUMBER SEE TABLE 1	CUSTOMER GENERAL MARKET	DOCUMENT NUMBER 1202480520	DOC TYPE PSD	DOC PART 000	SHEET NUMBER 2 OF 2