



Chipsmall Limited consists of a professional team with an average of over 10 year of expertise in the distribution of electronic components. Based in Hongkong, we have already established firm and mutual-benefit business relationships with customers from,Europe,America and south Asia,supplying obsolete and hard-to-find components to meet their specific needs.

With the principle of “Quality Parts,Customers Priority,Honest Operation,and Considerate Service”,our business mainly focus on the distribution of electronic components. Line cards we deal with include Microchip,ALPS,ROHM,Xilinx,Pulse,ON,Everlight and Freescale. Main products comprise IC,Modules,Potentiometer,IC Socket,Relay,Connector.Our parts cover such applications as commercial,industrial, and automotives areas.

We are looking forward to setting up business relationship with you and hope to provide you with the best service and solution. Let us make a better world for our industry!



Contact us

Tel: +86-755-8981 8866 Fax: +86-755-8427 6832

Email & Skype: info@chipsmall.com Web: www.chipsmall.com

Address: A1208, Overseas Decoration Building, #122 Zhenhua RD., Futian, Shenzhen, China

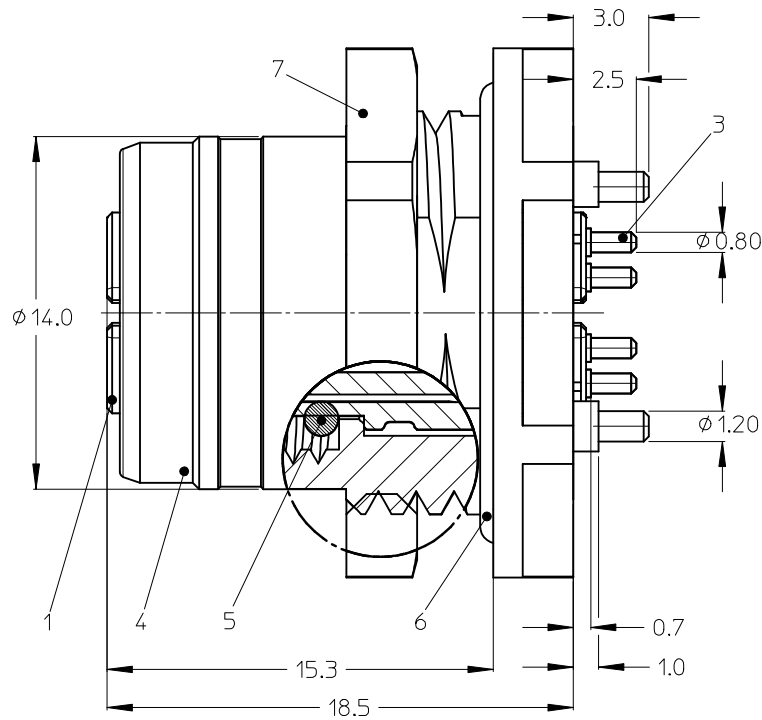
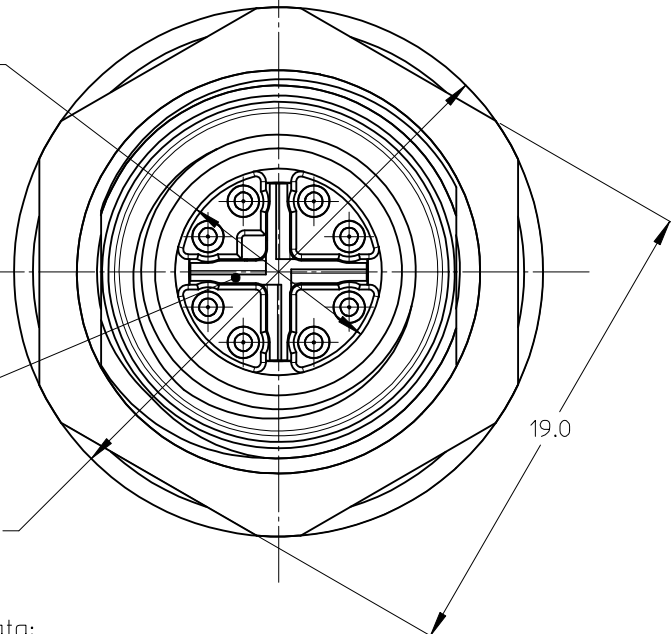


10 9 8 7 6 5 4 3 2 1

F

∅ 8.2

∅ 21.0

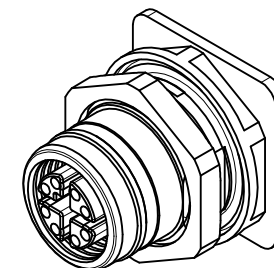


Technical Data:

M12 CAT6A receptacle back mount PCB 360° shielded.
Suited for wave application.

Poles:	8
Max. Voltage:	48V
Max Current:	0,5A
Contact resistance:	<5m Ohm
Insulation withstand:	>100M Ohm
Protection:	IP67
Temperature range:	-40°C to 85°C
Transmission characteristics (category)	CAT6 _A

POS	DESCRIPTION	MATERIAL	FINISH
01	INSERT	PA BK	-
02	SCHIELDING CROSS	BRASS	NICKEL PLATED
03	CONTACT	BRASS	GOLD OVER NICKEL
04	HOUSING	BRASS	NICKEL PLATED
05	O-RING 7.1x1.35	EPDM VL	-
06	O-RING 15.7x1.3	EPDM BK	-
08	LOCK NUT	BRASS	NICKEL PLATED

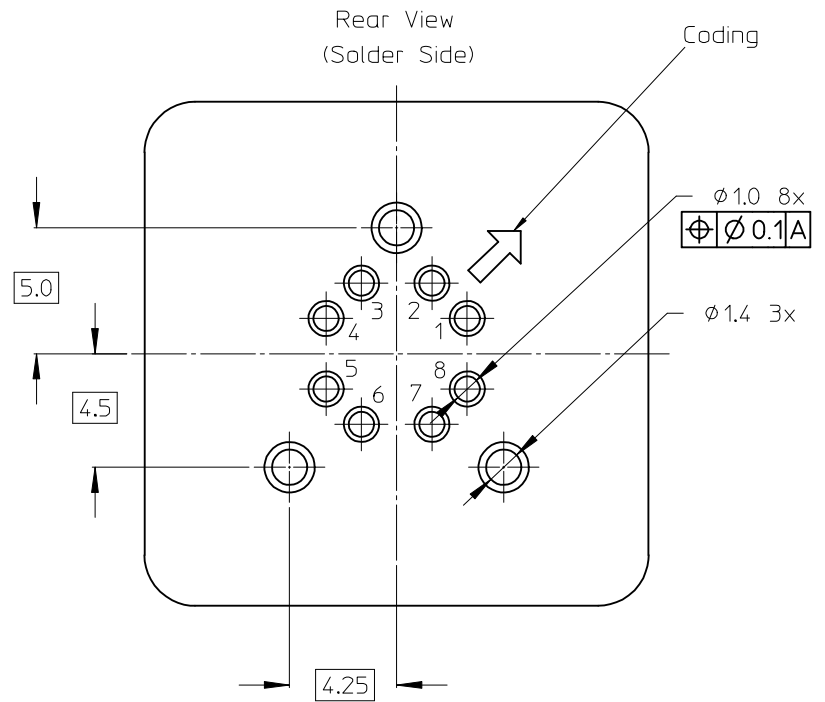
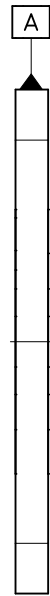
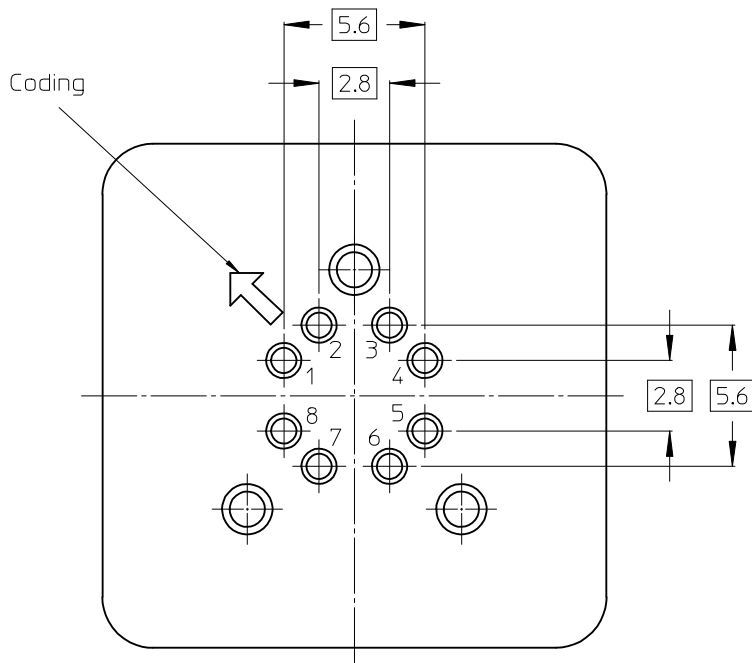


For product specification see: PS-120341-001

Packaging:

The receptacles are delivered in blister packs a 25 parts.
8 blister packages per carton.
All together 200 parts.

ENTER DESCRIPTION EC NO: IPG2014-0364 DRW:RSCHIEBER 2013/08/27 CHKD:RSILLER 2013/08/24 APPR:CBURGER 2013/09/25	QUALITY SYMBOLS ▽=0 ◻=0	GENERAL TOLERANCES (UNLESS SPECIFIED)		DIMENSION STYLE MM ONLY	SCALE 5:1	DESIGN UNITS METRIC	THIRD ANGLE PROJECTION			
		4 PLACES	± ---	± ---	DRAWN BY ZISMAYILOV	DATE 2011/09/29	TITLE M12 CAT6A REC ASSY BACK MOUNT			
		3 PLACES	± ---	± ---	CHECKED BY RSCHIEBER	DATE 2012/01/23	MOLEX INCORPORATED			
		2 PLACES	± 0.05	± ---	APPROVED BY AVOGT	DATE 2012/01/23	MATERIAL NO. 1203410150	DOCUMENT NO. SD-120341-150	SHEET NO. 1 OF 3	
1 PLACE	± 0.10	± ---	ANGULAR ± ---°	DRAFT WHERE APPLICABLE MUST REMAIN WITHIN DIMENSIONS				THIS DRAWING CONTAINS INFORMATION THAT IS PROPRIETARY TO MOLEX INCORPORATED AND SHOULD NOT BE USED WITHOUT WRITTEN PERMISSION		
A4	REV							A3		



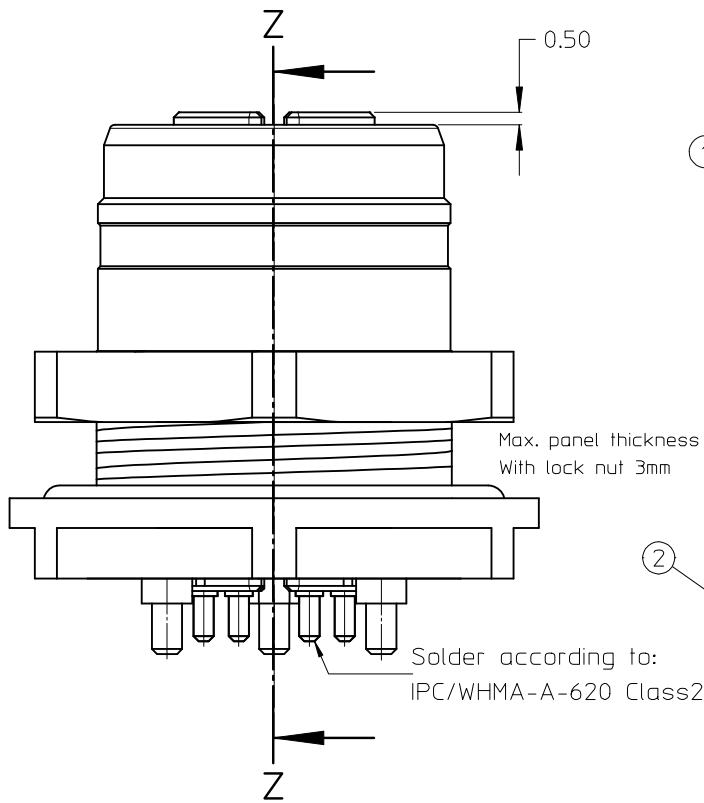
Cable color code and position on receptacle:

- 1 white-orange
- 2 orange
- 3 white-green
- 4 green
- 5 white-brown
- 6 brown
- 7 white-blue
- 8 blue

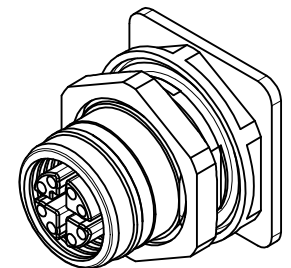
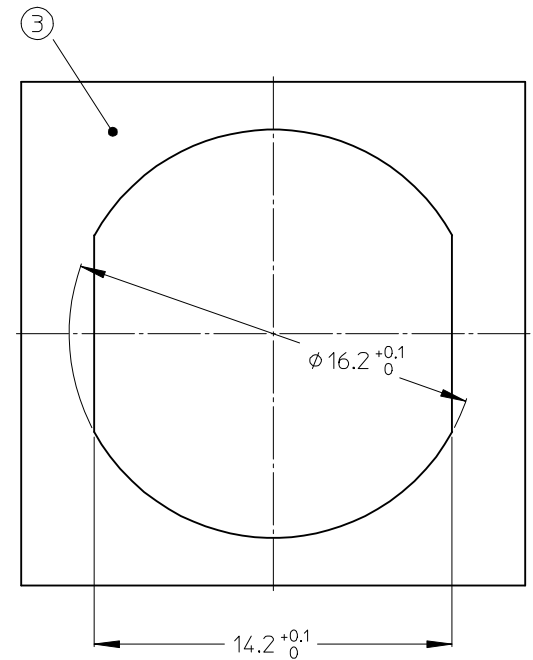
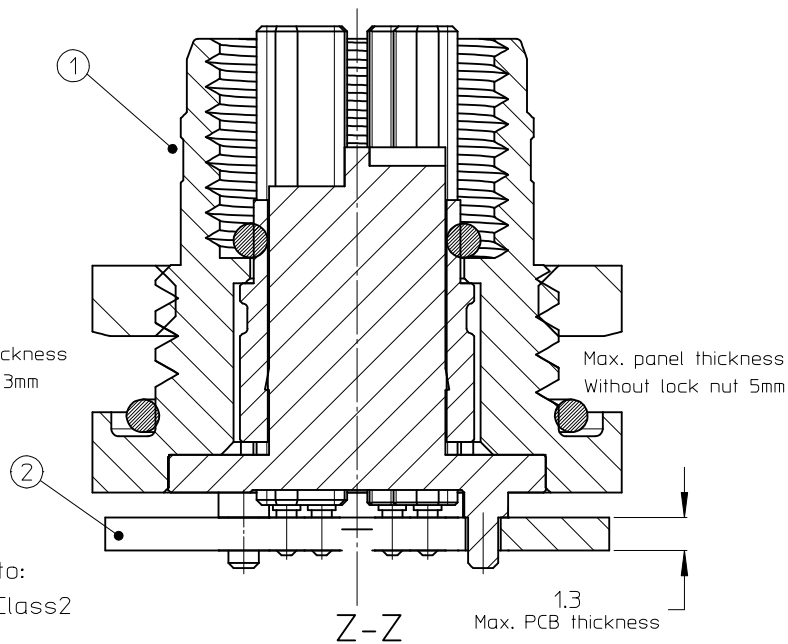
PCB Pinout

ENTER DESCRIPTION EC NO: IPG2014-0364 DRW:RSCHIEBER 2013/08/21 CHK:RSILLER 2013/08/24 APPR:CBURGER 2013/09/25	QUALITY SYMBOLS ▽=0 ◻=0	GENERAL TOLERANCES (UNLESS SPECIFIED)		DIMENSION STYLE MM ONLY	SCALE 5:1	DESIGN UNITS METRIC	THIRD ANGLE PROJECTION		
			mm	INCH	DRAWN BY ZISMAYILOV	DATE 2011/09/29	TITLE M12 CAT6A REC ASSY BACK MOUNT		
		4 PLACES	± ---	± ---	CHECKED BY RSCHIEBER	DATE 2012/01/23	MOLEX INCORPORATED		
		3 PLACES	± ---	± ---	APPROVED BY AVOGT	DATE 2012/01/23	DOCUMENT NO. SD-120341-150	SHEET NO. 2 OF 3	
			2 PLACES	± 0.05	± ---	THIS DRAWING CONTAINS INFORMATION THAT IS PROPRIETARY TO MOLEX INCORPORATED AND SHOULD NOT BE USED WITHOUT WRITTEN PERMISSION			
			1 PLACE	± 0.10	± ---				
		ANGULAR ± ---°							
DRAFT WHERE APPLICABLE MUST REMAIN WITHIN DIMENSIONS									
A4	REV			SIZE A3					

View with lock nut



View without lock nut



- Pos. Description
- 1 Receptacle Back Mount
 - 2 PCB
 - 3 Cutout

ASSEMBLY OF THE RECEPTACLE:

1. The receptacle (1) is soldered to PCB (2)(wave or reflow possible)
The grounding can be over the ground pins of her receptacle and, if needed, over the midpoint of the shielding cross.
2. The PCB with receptacles is mounted from the back side into the cutout(3) and fastened per screwing in or locknut.

ENTER DESCRIPTION EC NO: IPG2014-0364 DRW:RSCHIEBER 2013/08/27 CHK:RSCHIEBER 2013/08/24 APPR:CBURGER 2013/09/25	QUALITY SYMBOLS ▽=0 ◻=0	GENERAL TOLERANCES (UNLESS SPECIFIED)		DIMENSION STYLE MM ONLY	SCALE 5:1	DESIGN UNITS METRIC	THIRD ANGLE PROJECTION	
			mm	INCH	DRAWN BY ZISMAYILOV	DATE 2011/09/29	TITLE M12 CAT6A REC ASSY BACK MOUNT	
		4 PLACES	± ---	± ---	CHECKED BY RSCHIEBER	DATE 2012/01/23	MOLEX INCORPORATED	
		3 PLACES	± ---	± ---	APPROVED BY AVOGT	DATE 2012/01/23	MATERIAL NO. 1203410150	DOCUMENT NO. SD-120341-150
				DRAFT WHERE APPLICABLE MUST REMAIN WITHIN DIMENSIONS		THIS DRAWING CONTAINS INFORMATION THAT IS PROPRIETARY TO MOLEX INCORPORATED AND SHOULD NOT BE USED WITHOUT WRITTEN PERMISSION		