



Chipsmall Limited consists of a professional team with an average of over 10 year of expertise in the distribution of electronic components. Based in Hongkong, we have already established firm and mutual-benefit business relationships with customers from,Europe,America and south Asia,supplying obsolete and hard-to-find components to meet their specific needs.

With the principle of “Quality Parts,Customers Priority,Honest Operation,and Considerate Service”,our business mainly focus on the distribution of electronic components. Line cards we deal with include Microchip,ALPS,ROHM,Xilinx,Pulse,ON,Everlight and Freescale. Main products comprise IC,Modules,Potentiometer,IC Socket,Relay,Connector.Our parts cover such applications as commercial,industrial, and automotives areas.

We are looking forward to setting up business relationship with you and hope to provide you with the best service and solution. Let us make a better world for our industry!



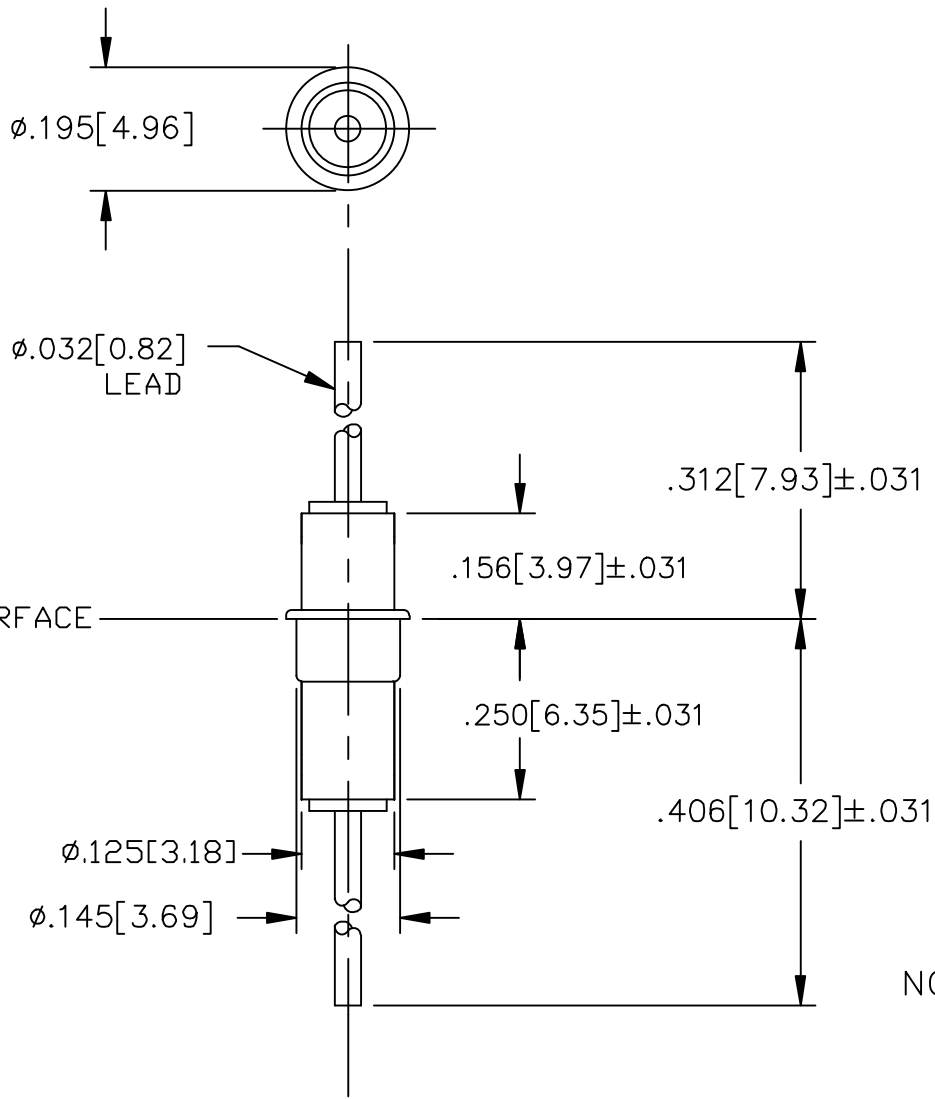
Contact us

Tel: +86-755-8981 8866 Fax: +86-755-8427 6832

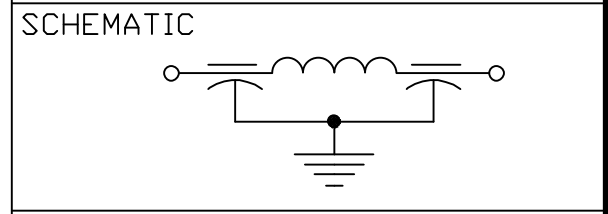
Email & Skype: info@chipsmall.com Web: www.chipsmall.com

Address: A1208, Overseas Decoration Building, #122 Zhenhua RD., Futian, Shenzhen, China






LEAD FINISH: TIN/SILVER	
EYELET FINISH: SILVER	
CAPACITANCE	1500pF GMV
TEMP. RANGE	-55°C TO 125°C
CURRENT	10AMP MAX.
WORKING VOLTAGE	85°C 350VDC MAX. 125°C 200VDC MAX.
D.C. RESISTANCE	.01ohms MAX.
MIN. I.L. PER MIL-STD-220 AT 25°C NO LOAD	
FREQ. MHz	I.L. (db)
1	--
10	5
100	45
1 GHz	70
10 GHz	--



MARKING: PART: NONE
 BAG: 1203F-050
 DATE CODE
 QTY./BAG (200 MAX.)

- NOTES:
1. SUGGESTED MOUNTING HOLE = ϕ .160
 2. THIS IS A LEAD FREE PRODUCT.
 3. MAX REFLOW IS 245° FOR 5 SECONDS.



	00	REV. NO.	TOLERANCES UNLESS OTHERWISE SPECIFIED	 ERIE, FAIRVIEW PENNSYLVANIA SPECTRUM CONTROL INC.
	CN.30481-CPD	CHANGE NOTICE	Fractions \pm 1/64	
			Dec. .xx \pm	
			Dec. .xxx \pm .010	
			Angles \pm 0° 30'	
			CODE IDENT. NO. DLSP2	Dwn. KAUFFMAN Ckd. 09-18-06 Apvd. R. Struhchen Scale NONE
				Description Pi SOLDER-IN FILTER 1203F-050