



Chipsmall Limited consists of a professional team with an average of over 10 year of expertise in the distribution of electronic components. Based in Hongkong, we have already established firm and mutual-benefit business relationships with customers from,Europe,America and south Asia,supplying obsolete and hard-to-find components to meet their specific needs.

With the principle of “Quality Parts,Customers Priority,Honest Operation,and Considerate Service”,our business mainly focus on the distribution of electronic components. Line cards we deal with include Microchip,ALPS,ROHM,Xilinx,Pulse,ON,Everlight and Freescale. Main products comprise IC,Modules,Potentiometer,IC Socket,Relay,Connector.Our parts cover such applications as commercial,industrial, and automotives areas.

We are looking forward to setting up business relationship with you and hope to provide you with the best service and solution. Let us make a better world for our industry!



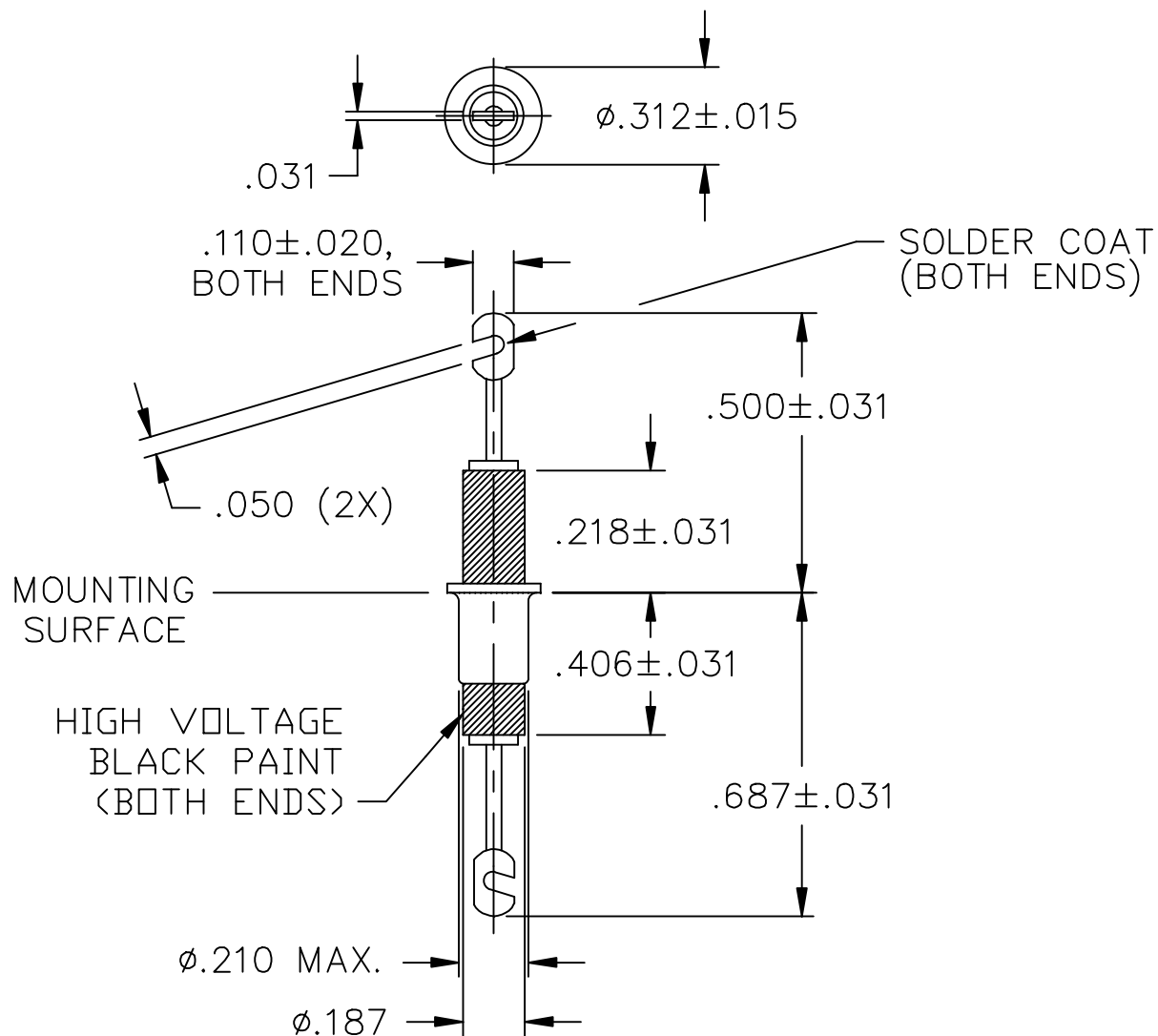
Contact us

Tel: +86-755-8981 8866 Fax: +86-755-8427 6832

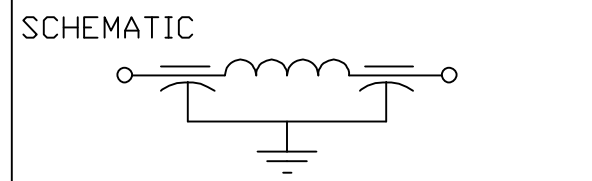
Email & Skype: info@chipsmall.com Web: www.chipsmall.com

Address: A1208, Overseas Decoration Building, #122 Zhenhua RD., Futian, Shenzhen, China






CAPACITANCE	3000pF GMV
TEMP. RANGE	-55°C/+125°C
CURRENT	25 AMPS
WORKING VOLTAGE	85°C 700 VDC 125°C 500 VDC
IL=PER MIL-STD-220 @ 25°C	
FREQ. MHz	I.L. (db)
10	8
100	50
1 GHz	70
10 GHz	70



MARKING:
 PART: NONE
 FOAM PACK: SCI
 1204-050
 DATE CODE
 LOT No.
 QTY./PACK

	8	7	6	5	4	REV. NO.	TOLERANCES UNLESS OTHERWISE SPECIFIED
	CN 70724-ENG	CN 30156-CPD	CN 214017	CN 207017	CN 172577 REDRAWN	CHANGE NOTICE	Fractions ± 1/64
							Dec. .xx±
							Dec. .xxx± .010
							Angles ±0° 30'
							CODE IDENT. NO. 0LSP2

api  technologies corp. FAIRVIEW PENNSYLVANIA

Dwn. KEVERLINE	Description
Date 8-21-06	Pi, EYELET STYLE FILTER
Engr. T. TAYLOR	
Scale NONE	1204-050

