



Chipsmall Limited consists of a professional team with an average of over 10 year of expertise in the distribution of electronic components. Based in Hongkong, we have already established firm and mutual-benefit business relationships with customers from,Europe,America and south Asia,supplying obsolete and hard-to-find components to meet their specific needs.

With the principle of "Quality Parts,Customers Priority,Honest Operation,and Considerate Service",our business mainly focus on the distribution of electronic components. Line cards we deal with include Microchip,ALPS,ROHM,Xilinx,Pulse,ON,Everlight and Freescale. Main products comprise IC,Modules,Potentiometer,IC Socket,Relay,Connector.Our parts cover such applications as commercial,industrial, and automotives areas.

We are looking forward to setting up business relationship with you and hope to provide you with the best service and solution. Let us make a better world for our industry!



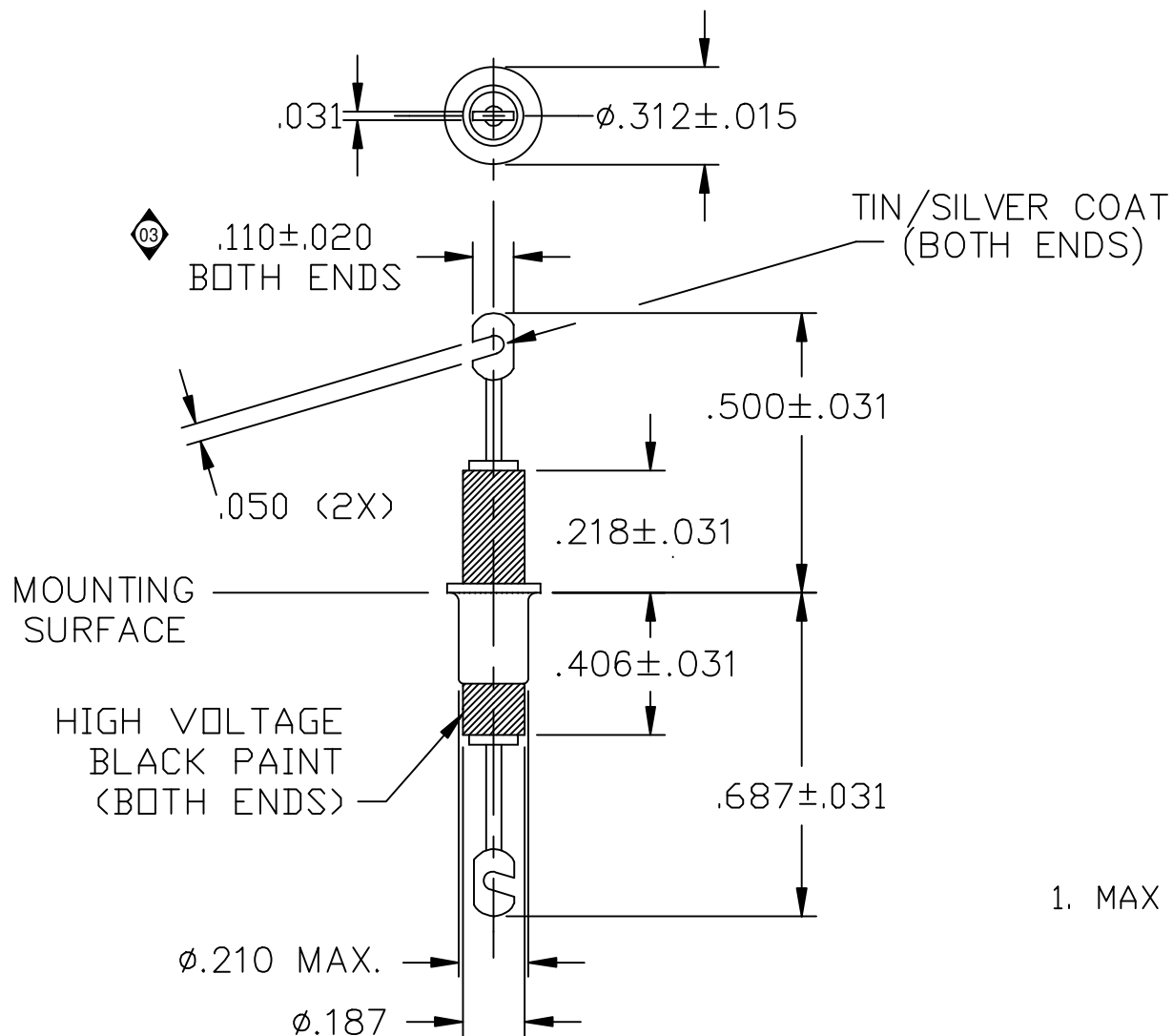
Contact us

Tel: +86-755-8981 8866 Fax: +86-755-8427 6832

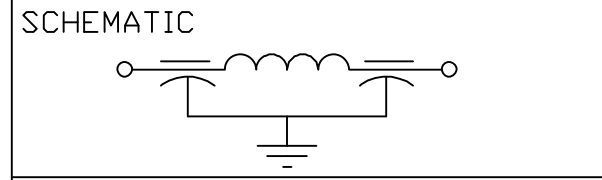
Email & Skype: info@chipsmall.com Web: www.chipsmall.com

Address: A1208, Overseas Decoration Building, #122 Zhenhua RD., Futian, Shenzhen, China





CAPACITANCE	3000pF GMV
TEMP. RANGE	-55°C/+125°C
CURRENT	25 AMPS
WORKING VOLTAGE	85°C 700 VDC 125°C 500 VDC
IL=PER MIL-STD-220 @ 25°C	
FREQ. MHz	I.L. (db)
10	8
100	50
1 GHz	70
10 GHz	70



MARKING:
 PART: NONE
 FOAM PAD: API
 1204F-050
 DATE CODE
 LOT No.
 QTY.

1. MAX REFLOW IS 245°C FOR 5 SEC.



		03	02	01	00	REV. NO.	TOLERANCES UNLESS OTHERWISE SPECIFIED
		ECN #24369	CN #22714	CN 32264-CPD	CN 18639-CPD	CHANGE NOTICE	Fractions ± 1/64
							Dec. .xx±
							Dec. .xxx± .010
							Angles ±0° 30'
							CODE IDENT. NO. 0LSP2

api technologies corp. FAIRVIEW PENNSYLVANIA

Dwn. KNOWLTON	Description
Date 11-2-16	Pi, EYELET STYLE FILTER
Engr. McALEVY	
Scale NONE	1204F-050