



Chipsmall Limited consists of a professional team with an average of over 10 year of expertise in the distribution of electronic components. Based in Hongkong, we have already established firm and mutual-benefit business relationships with customers from,Europe,America and south Asia,supplying obsolete and hard-to-find components to meet their specific needs.

With the principle of "Quality Parts,Customers Priority,Honest Operation,and Considerate Service",our business mainly focus on the distribution of electronic components. Line cards we deal with include Microchip,ALPS,ROHM,Xilinx,Pulse,ON,Everlight and Freescale. Main products comprise IC,Modules,Potentiometer,IC Socket,Relay,Connector.Our parts cover such applications as commercial,industrial, and automotives areas.

We are looking forward to setting up business relationship with you and hope to provide you with the best service and solution. Let us make a better world for our industry!



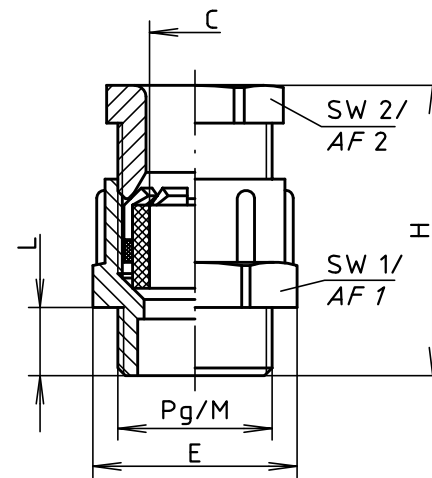
## Contact us

Tel: +86-755-8981 8866 Fax: +86-755-8427 6832

Email & Skype: info@chipsmall.com Web: www.chipsmall.com

Address: A1208, Overseas Decoration Building, #122 Zhenhua RD., Futian, Shenzhen, China





Modell / model	Pg	Außen- $\emptyset$	C	L	SW1/AF1	SW2/AF2	H	E
		outside- $\emptyset$						
POZ 7	Pg 7	12,5	4-6	8	15	13	29	16,5
POZ 9	Pg 9	15,2	6-8	8	19	16	32	21
POZ 11	Pg 11	18,6	8-10	8	22	19	32,5	25
POZ 13	Pg 13,5	20,4	10-12	9	24	21	38	27
POZ 16	Pg 16	22,5	12-14	10	27	23	39	29,5
POZ 21	Pg 21	28,3	14-18	11	32	30	44,5	35,5
POZ 29	Pg 29	37	18-24	11	42	40	47	45,5

Modell / model	M	C	L	SW1/AF1	SW2/AF2	H	E
MPOZ 12-1	M 12x1,5	4-6	8	15	13	39	16,5
MPOZ 12-2	M 12x1,5	6-8	11	19	16	46	20,5
MPOZ 16	M 16x1,5	6-8	11	19	16	46	20,5
MPOZ 20-1	M 20x1,5	8-10	11	22	19	48,5	24,5
MPOZ 20-2	M 20x1,5	10-12	11	24	21	48,5	26
MPOZ 20-3	M 20x1,5	12-14	11	27	23	52	29,5
MPOZ 25-2	M 25x1,5	14-18	11	32	30	56	35,5
MPOZ 32	M 32x1,5	18-24	11	42	40	60,5	45,5

Maßstab / (1:1 symbolisch/symbolical)   
Scale:

Zeichnungs-Nr. / Drawing-No.:  
3K 5350.004.01

Artikel / Article:  
Kabelverschraubung (M)POZ..  
Cable gland (M)POZ..  
Katalogzeichnung / Catalogue drawing

-	-
-	-
-	-
-	-
-	-
-	-
-	-
-	-
-	-
-	-

A.Nr / Datum /  
Alt-No. / Date:

DISK: 2 502 623  
Datum / Date: 21.10.2005 HR

