



Chipsmall Limited consists of a professional team with an average of over 10 year of expertise in the distribution of electronic components. Based in Hongkong, we have already established firm and mutual-benefit business relationships with customers from,Europe,America and south Asia,supplying obsolete and hard-to-find components to meet their specific needs.

With the principle of “Quality Parts,Customers Priority,Honest Operation,and Considerate Service”,our business mainly focus on the distribution of electronic components. Line cards we deal with include Microchip,ALPS,ROHM,Xilinx,Pulse,ON,Everlight and Freescale. Main products comprise IC,Modules,Potentiometer,IC Socket,Relay,Connector.Our parts cover such applications as commercial,industrial, and automotives areas.

We are looking forward to setting up business relationship with you and hope to provide you with the best service and solution. Let us make a better world for our industry!



Contact us

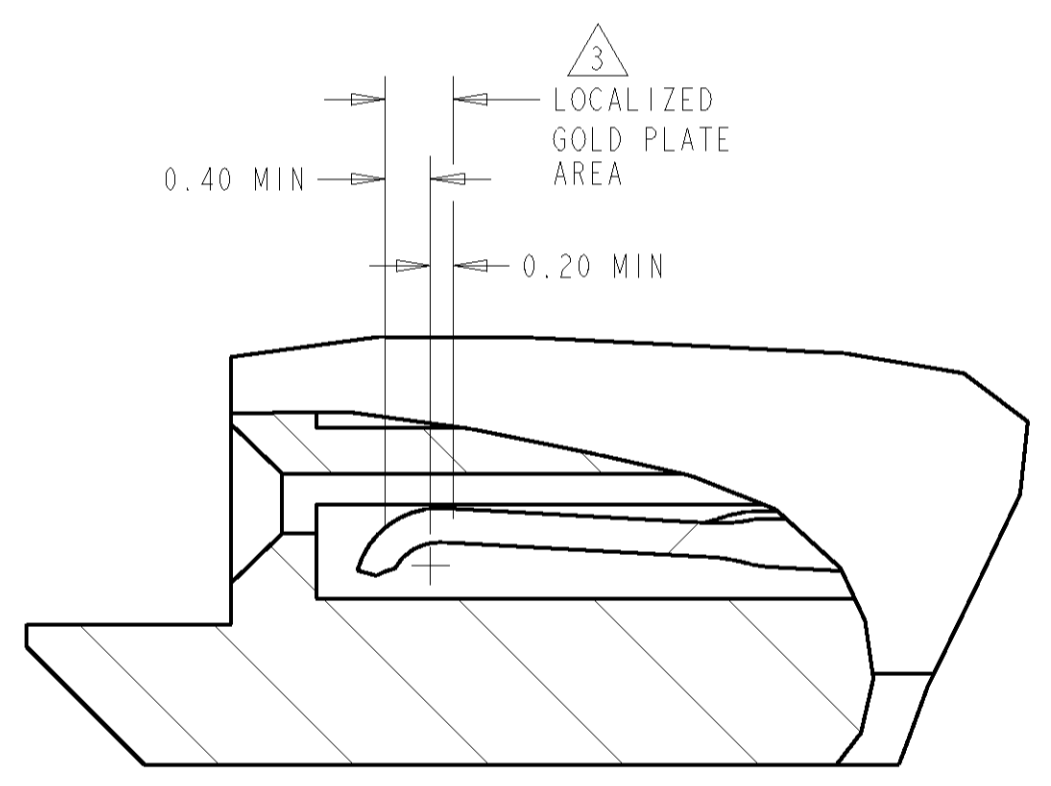
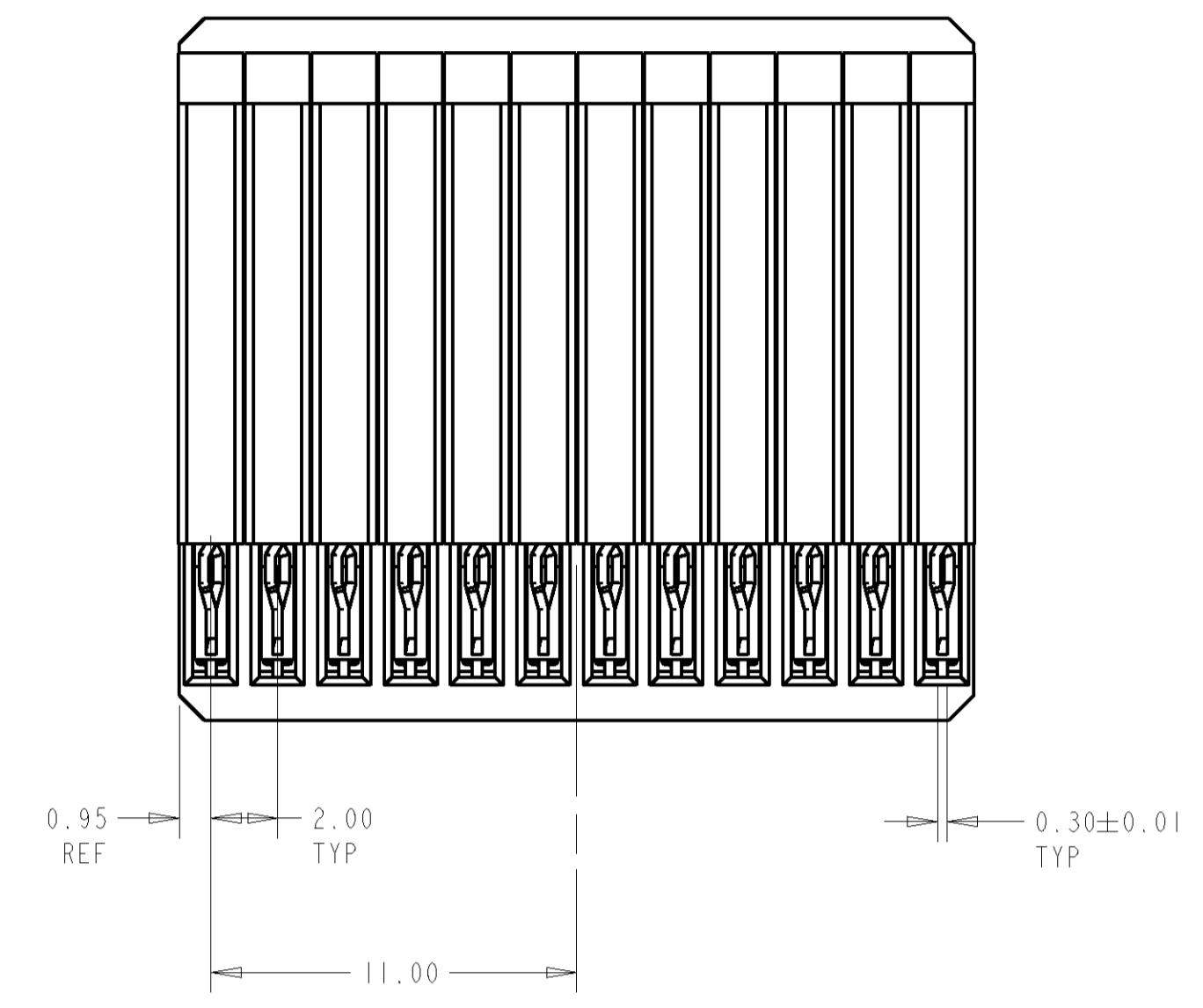
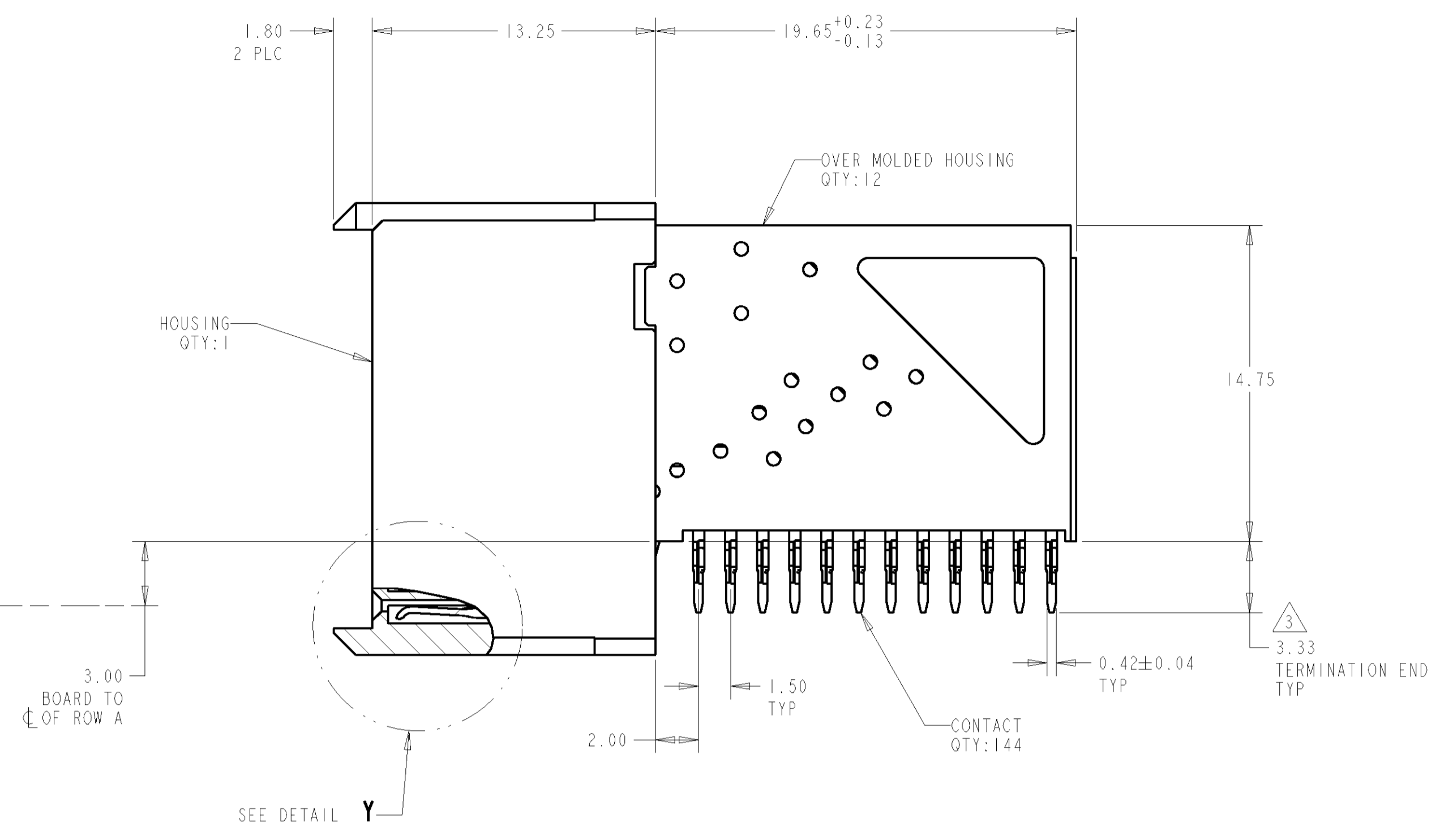
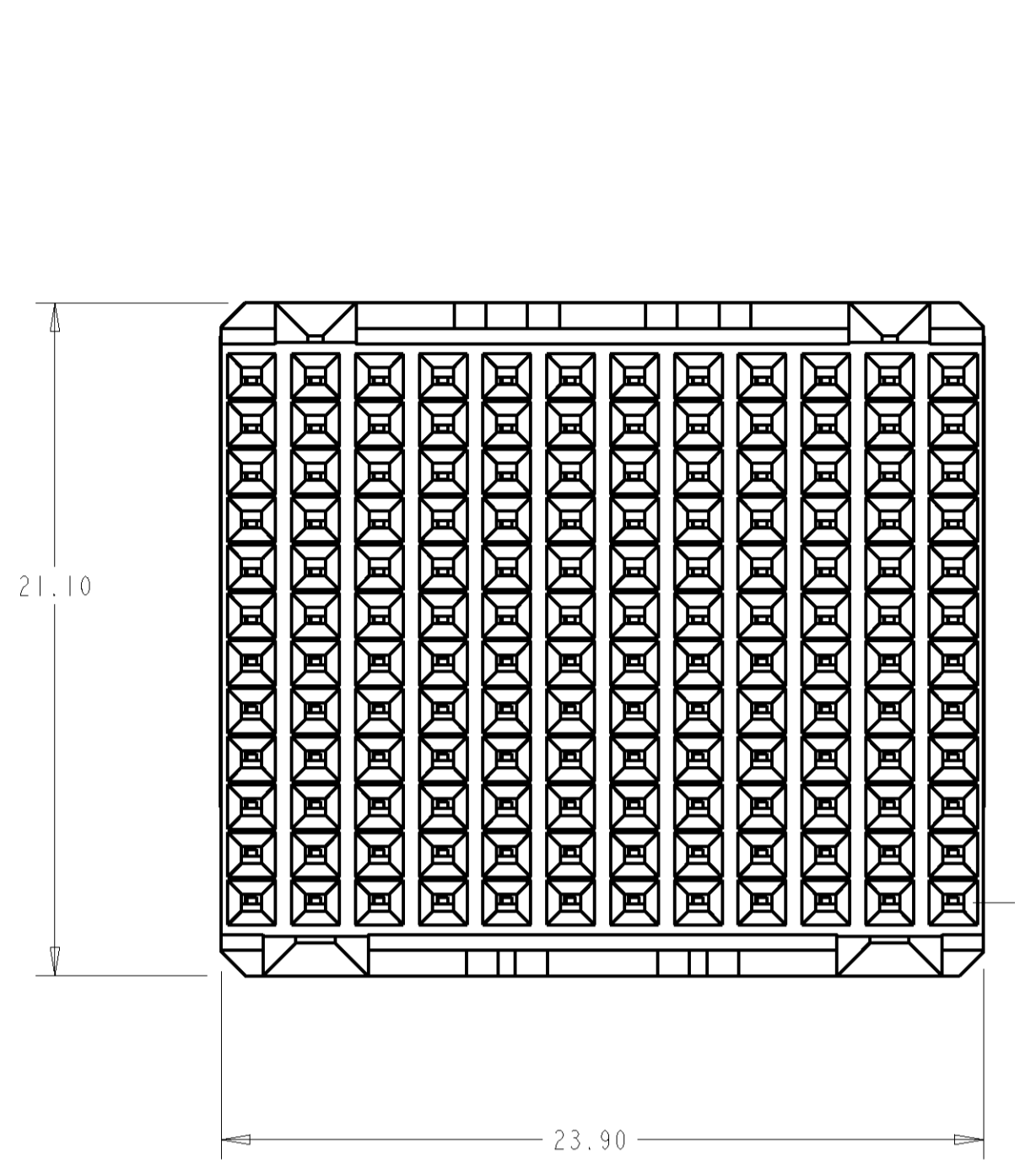
Tel: +86-755-8981 8866 Fax: +86-755-8427 6832

Email & Skype: info@chipsmall.com Web: www.chipsmall.com

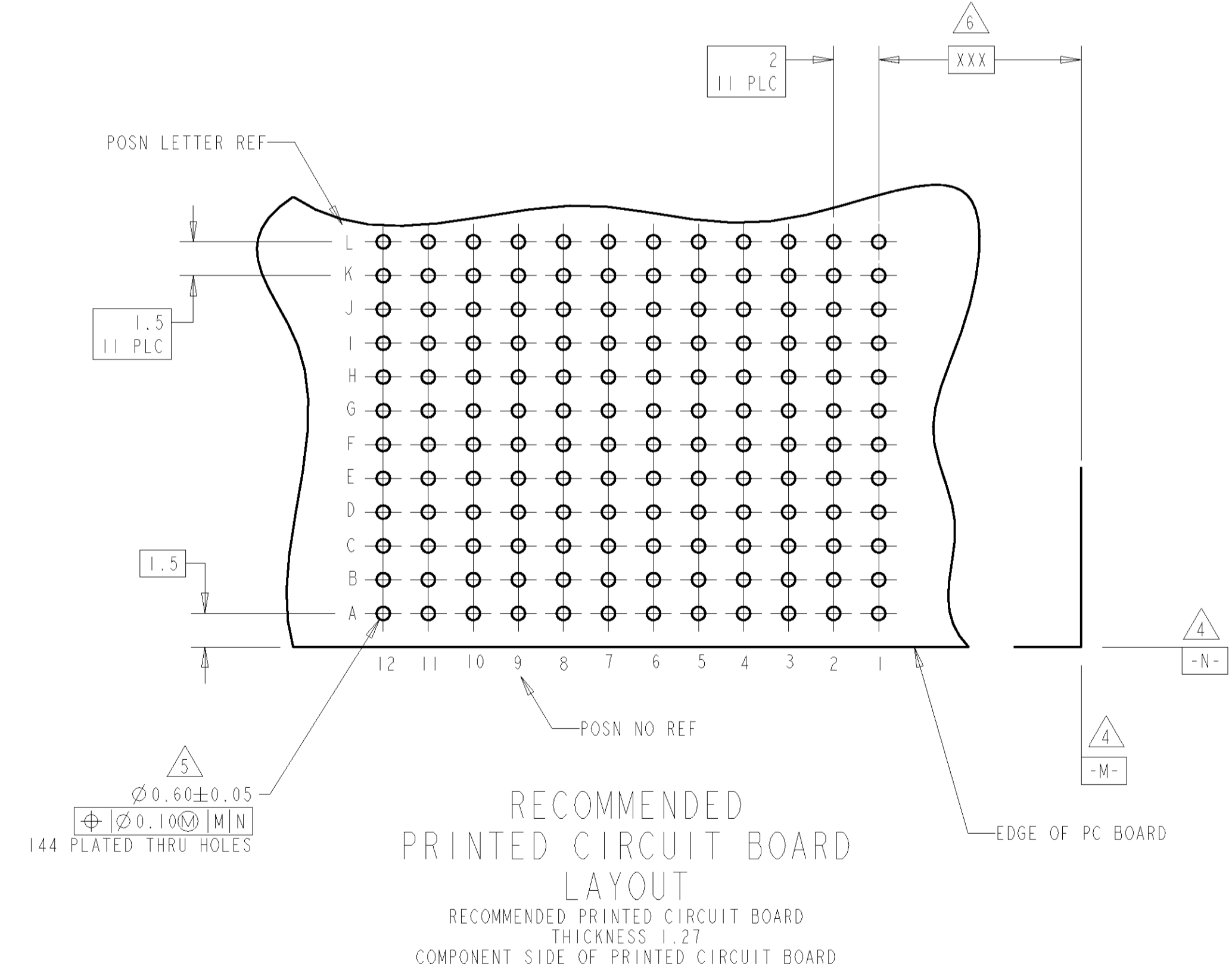
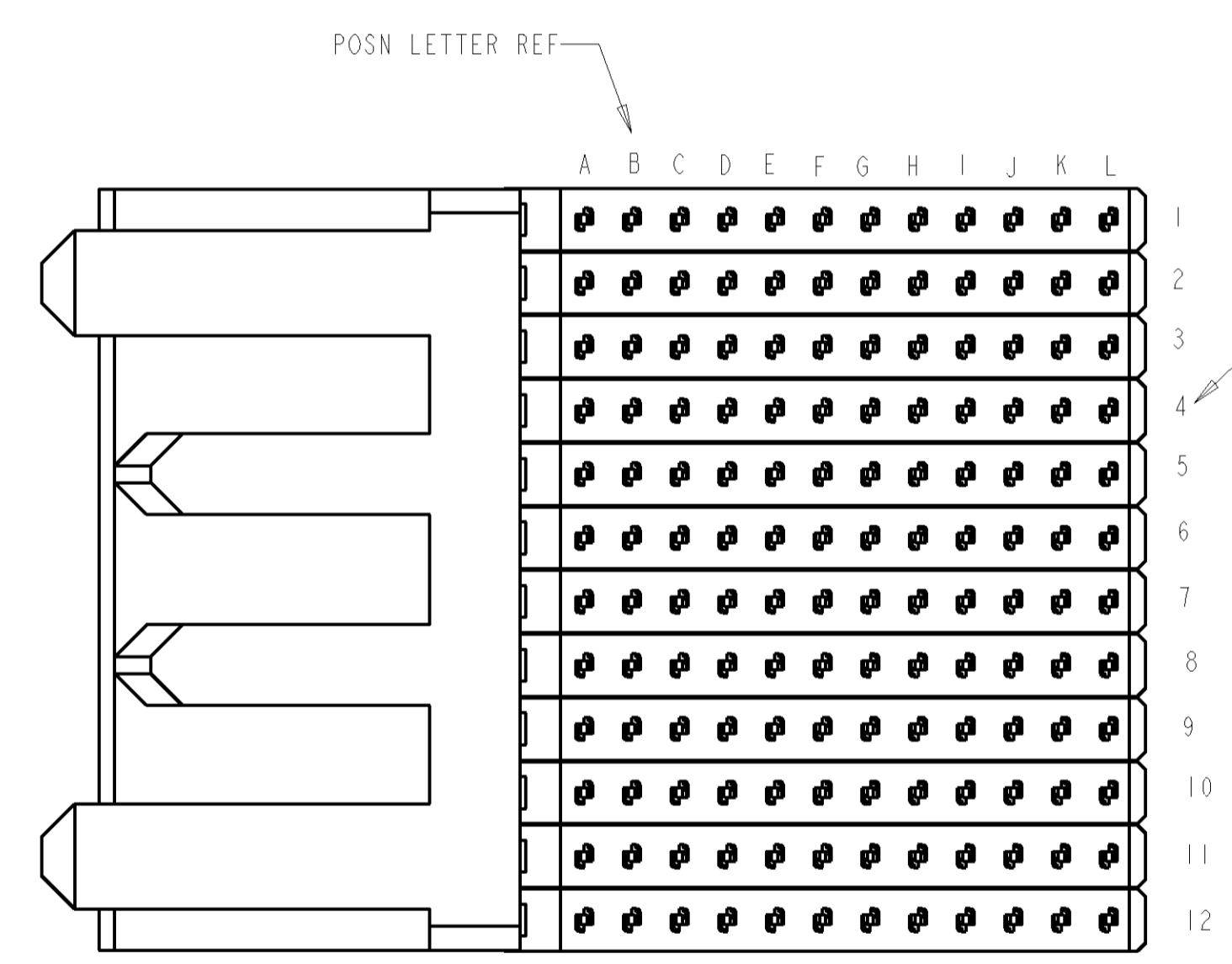
Address: A1208, Overseas Decoration Building, #122 Zhenhua RD., Futian, Shenzhen, China



LOC		DIST		REVISIONS			
AD	47	F	LTW	DESCRIPTION	DATE	DWN	APVD
		0		REL PER OUIB-0040-99 NPR B009116-0009	04AUG99	DKS	HWA



DETAIL Y
SCALE 15:1
TYPICAL



RECOMMENDED
PRINTED CIRCUIT BOARD
LAYOUT
RECOMMENDED PRINTED CIRCUIT BOARD
THICKNESS 1.27
COMPONENT SIDE OF PRINTED CIRCUIT BOARD

- ① GLASS FILLED POLYESTER, BLACK
- ② PHOSPHOR BRONZE
- ③ 0.72µm MIN GOLD IN LOCALIZED GOLD PLATE AREA, 0.72µm MIN TIN LEAD ON TERMINATION END, BOTH OVER 1.27µm MIN NICKEL.
- ④ DATUMS ESTABLISHED BY CUSTOMER.
- ⑤ DRILLED HOLE DIAMETER 0.700±0.025
COPPER THK 0.025-0.05
TIN LEAD THICKNESS 0.004-0.01
- ⑥ DIMENSION ESTABLISHED BY CUSTOMER.

120637-1
PART NUMBER

<small>THIS DRAWING IS A CONTROLLED DOCUMENT FOR AMP INCORPORATED. ALL CHANGES TO THIS DRAWING MUST BE CONTROLLED BY THE ORGANIZATION THAT ISSUED THIS DRAWING. FOR THE LATEST REVISION, ORGANIZATION SHOULD BE CONTACTED FOR THE LATEST REVISION.</small>		DWN: JH MOLL 27 JUL 98 ENW: JH HUSS 06 AUG 98 APVD: -	AMP AMP Incorporated Harrisburg, PA 17105-3608
DIMENSIONS: mm TOLERANCES UNLESS OTHERWISE SPECIFIED: 0 PLC ± 1 PLC ± 2 PLC ±0.13 3 PLC ± 4 PLC ± ANGLES ±	PRODUCT SPEC: - APPLICATION SPEC: - WEIGHT: -	NAME: RECEPTACLE ASSEMBLY, 144 POSITION, 12 ROW, Z-PACK HM SIZE: A1 CAGE CODE: 00779 DRAWING NO: C=120637	CUSTOMER DRAWING SCALE: 5:1 SHEET: 1 of 1 REV: 0