



Chipsmall Limited consists of a professional team with an average of over 10 year of expertise in the distribution of electronic components. Based in Hongkong, we have already established firm and mutual-benefit business relationships with customers from,Europe,America and south Asia,supplying obsolete and hard-to-find components to meet their specific needs.

With the principle of “Quality Parts,Customers Priority,Honest Operation,and Considerate Service”,our business mainly focus on the distribution of electronic components. Line cards we deal with include Microchip,ALPS,ROHM,Xilinx,Pulse,ON,Everlight and Freescale. Main products comprise IC,Modules,Potentiometer,IC Socket,Relay,Connector.Our parts cover such applications as commercial,industrial, and automotives areas.

We are looking forward to setting up business relationship with you and hope to provide you with the best service and solution. Let us make a better world for our industry!



Contact us

Tel: +86-755-8981 8866 Fax: +86-755-8427 6832

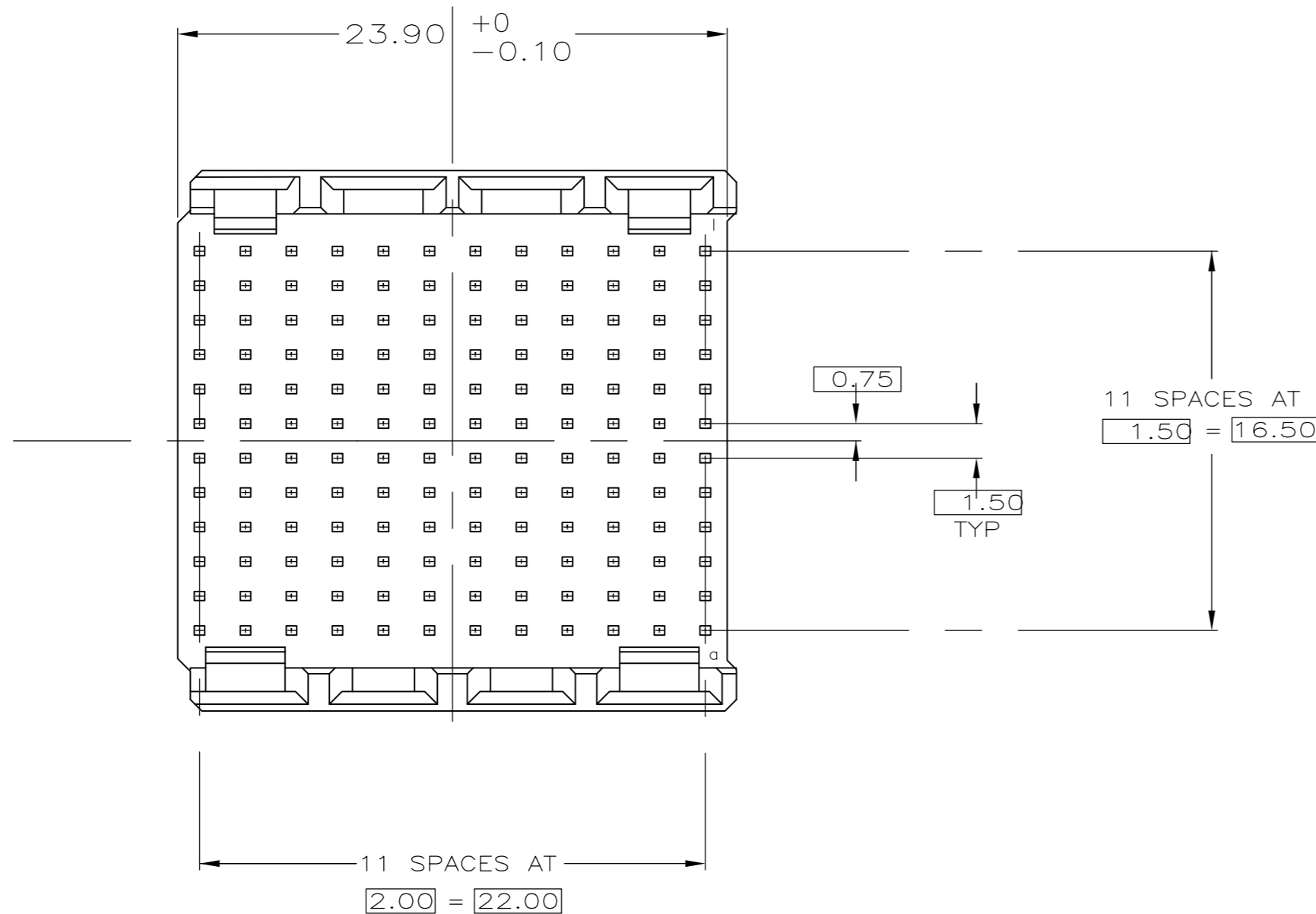
Email & Skype: info@chipsmall.com Web: www.chipsmall.com

Address: A1208, Overseas Decoration Building, #122 Zhenhua RD., Futian, Shenzhen, China

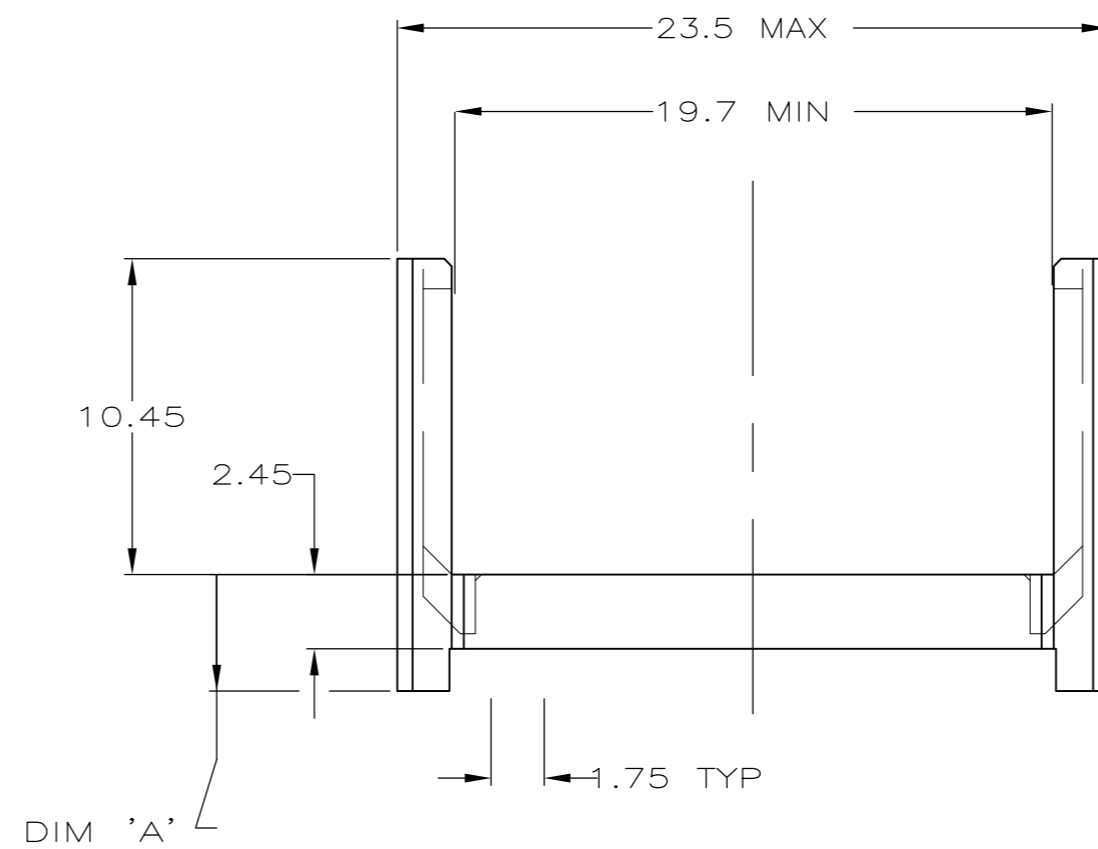
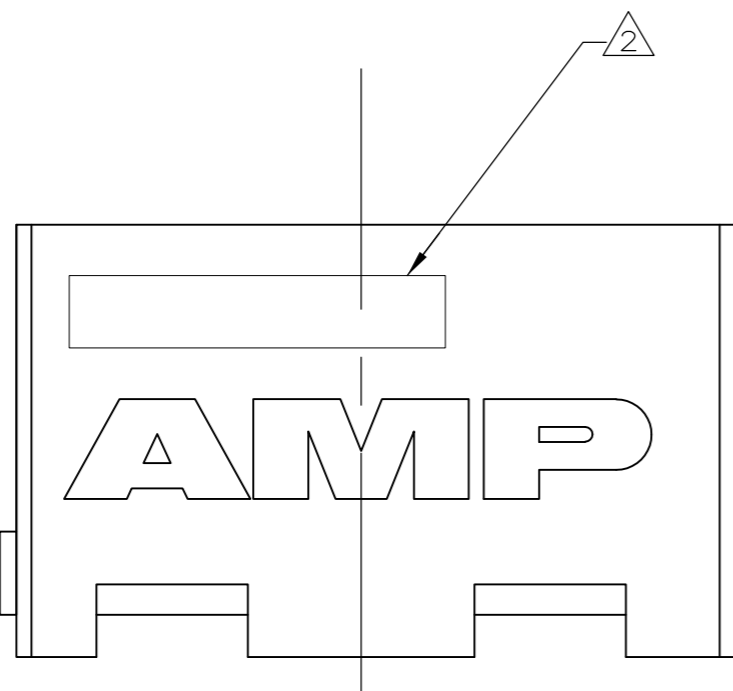


THIS DRAWING IS UNPUBLISHED. RELEASED FOR PUBLICATION
 © COPYRIGHT BY TYCO ELECTRONICS CORPORATION. ALL INTERNATIONAL RIGHTS RESERVED.

LOC	DIST	REVISIONS					
		P	LTR	DESCRIPTION	DATE	DWN	APVD
AD	47		C	REVISED PER ECO-09-011020	21MAY09	AEG	DD
			C1	REVISED PER ECO-09-020689	02SEP09	KK	AEG
			D	ECR-10-019054	15SEP10	DP	MQW



- 1 MATERIAL: GLASS-FILLED POLYESTER.
- 2 CONNECTOR MARKED WITH PART NUMBER AND DATE CODE.
- 3 RECOMMENDED MIDPLANE THICKNESS TO MAINTAIN STANDARD THREE-LEVEL SEQUENCING.
- 4 OBSOLETE PARTS: OBSOLETE CIS STREAMLINING PER D.RENAUD/D.SINISI



4 OBSOLETE	3.75	4.00	120645-7
	4.0	3.75	120645-6
4 OBSOLETE	4.25	3.5	120645-5
	4.5	3.25	120645-4
	4.75	3.0	120645-3
4 OBSOLETE	5.0	2.75	120645-2
	5.25	2.50	120645-1
	3	DIM "A"	PART NO

THIS DRAWING IS A CONTROLLED DOCUMENT.		DWN SK MICKIEVICZ 22APR97	Tyco Electronics Corporation Harrisburg, PA 17105-3608	
DIMENSIONS: mm		CHK SK MICKIEVICZ 02NOV99	NAME	
TOLERANCES UNLESS OTHERWISE SPECIFIED:		APVD HW ANDREWS 02NOV99	PRODUCT SPEC	
0-PLC ± 1-PLC ± 2-PLC ± ±0.2 3-PLC ± 4-PLC ± ANGLES ± FINISH -		APPLICATION SPEC	MALE SHROUD HOUSING FEED-THROUGH MIDPLANE, UNLOADED 12 ROW, TYPE B, Z-PACK HM	
MATERIAL 1		WEIGHT -	SIZE A2	RESTRICTED TO -
		CUSTOMER DRAWING	CAGE CODE 00779	DRAWING NO C=120645
			SCALE 4:1	SHEET 1 OF 1
				REV D