



Chipsmall Limited consists of a professional team with an average of over 10 year of expertise in the distribution of electronic components. Based in Hongkong, we have already established firm and mutual-benefit business relationships with customers from,Europe,America and south Asia,supplying obsolete and hard-to-find components to meet their specific needs.

With the principle of “Quality Parts,Customers Priority,Honest Operation,and Considerate Service”,our business mainly focus on the distribution of electronic components. Line cards we deal with include Microchip,ALPS,ROHM,Xilinx,Pulse,ON,Everlight and Freescale. Main products comprise IC,Modules,Potentiometer,IC Socket,Relay,Connector.Our parts cover such applications as commercial,industrial, and automotives areas.

We are looking forward to setting up business relationship with you and hope to provide you with the best service and solution. Let us make a better world for our industry!



## Contact us

Tel: +86-755-8981 8866 Fax: +86-755-8427 6832

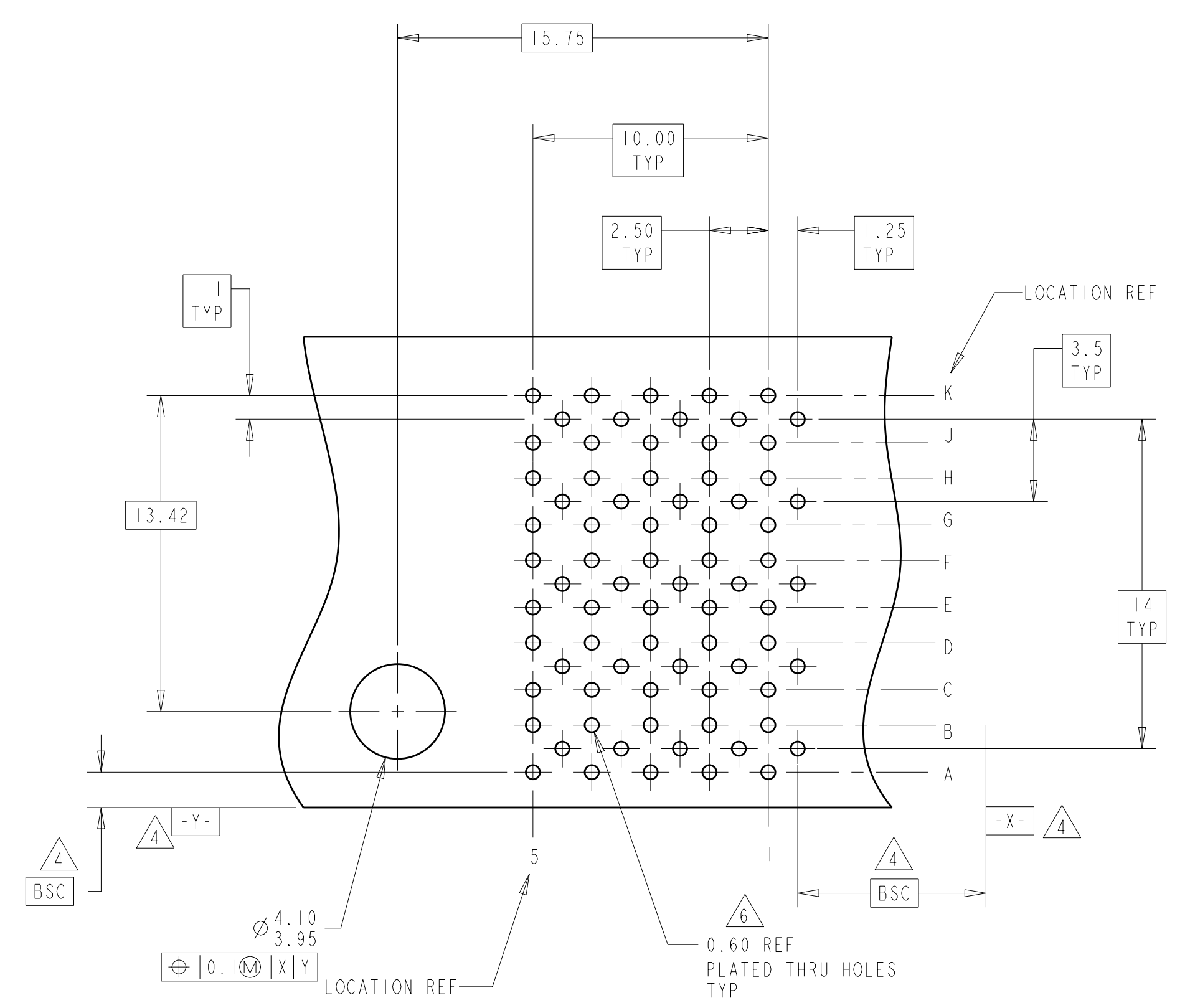
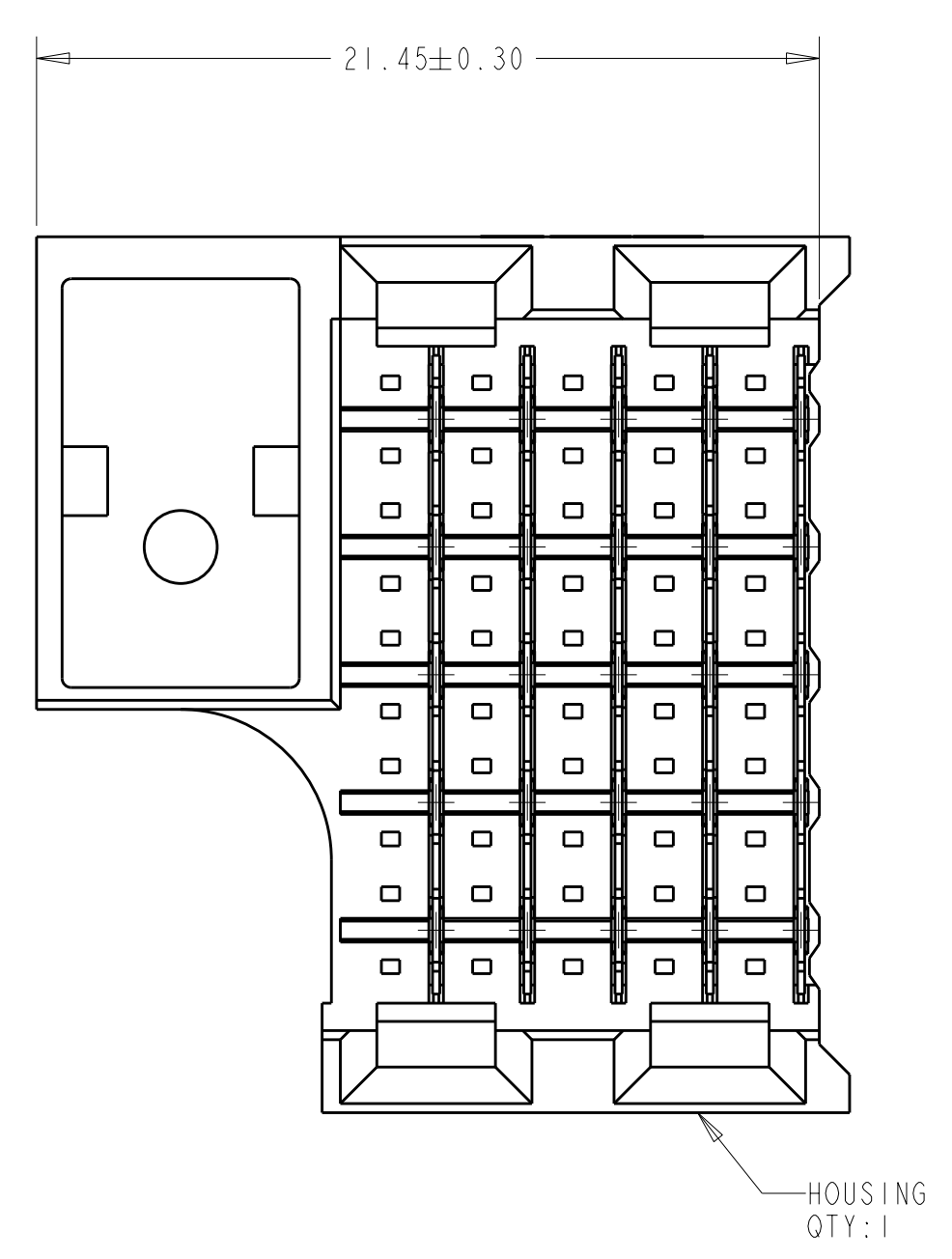
Email & Skype: info@chipsmall.com Web: www.chipsmall.com

Address: A1208, Overseas Decoration Building, #122 Zhenhua RD., Futian, Shenzhen, China

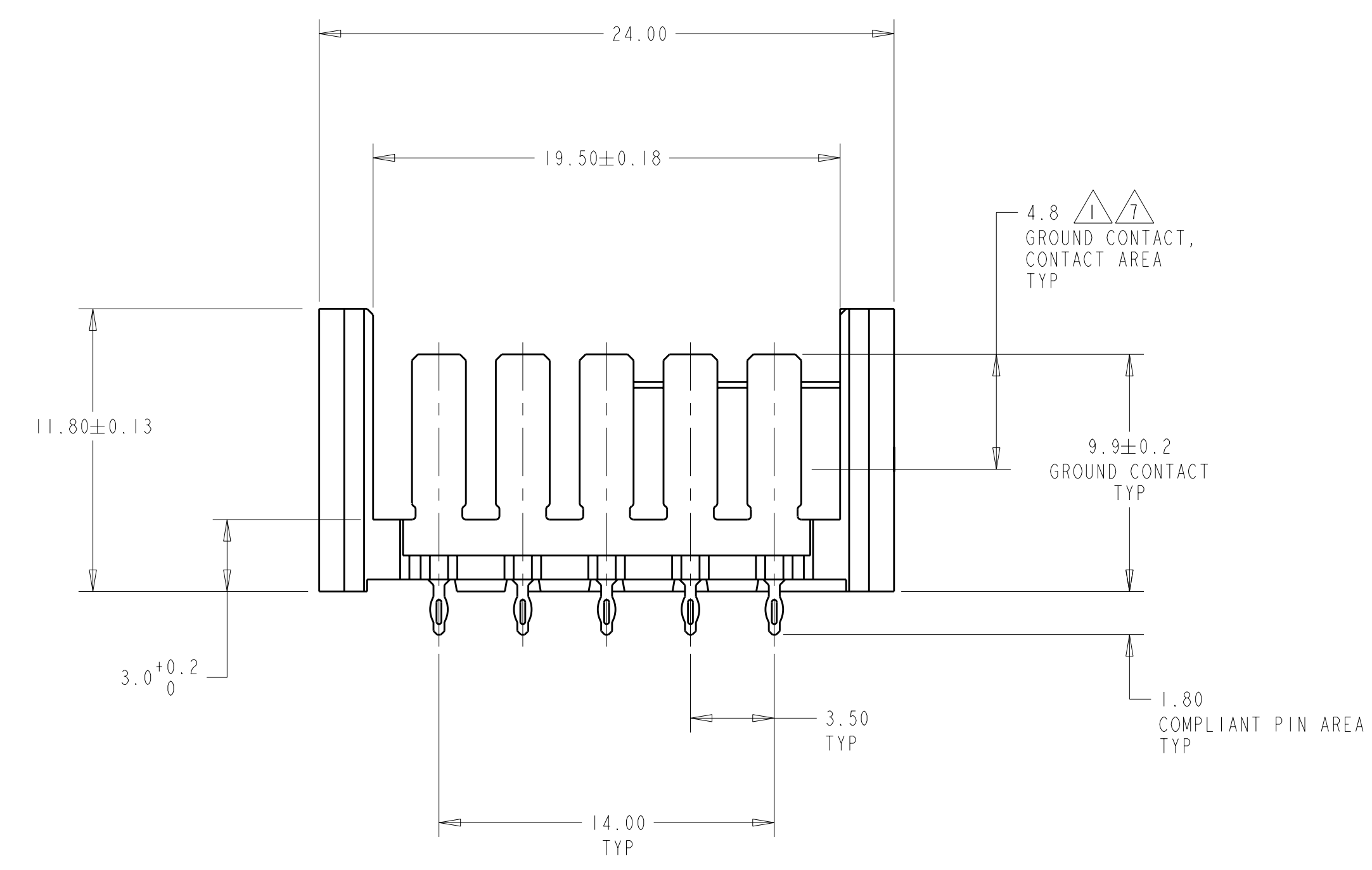
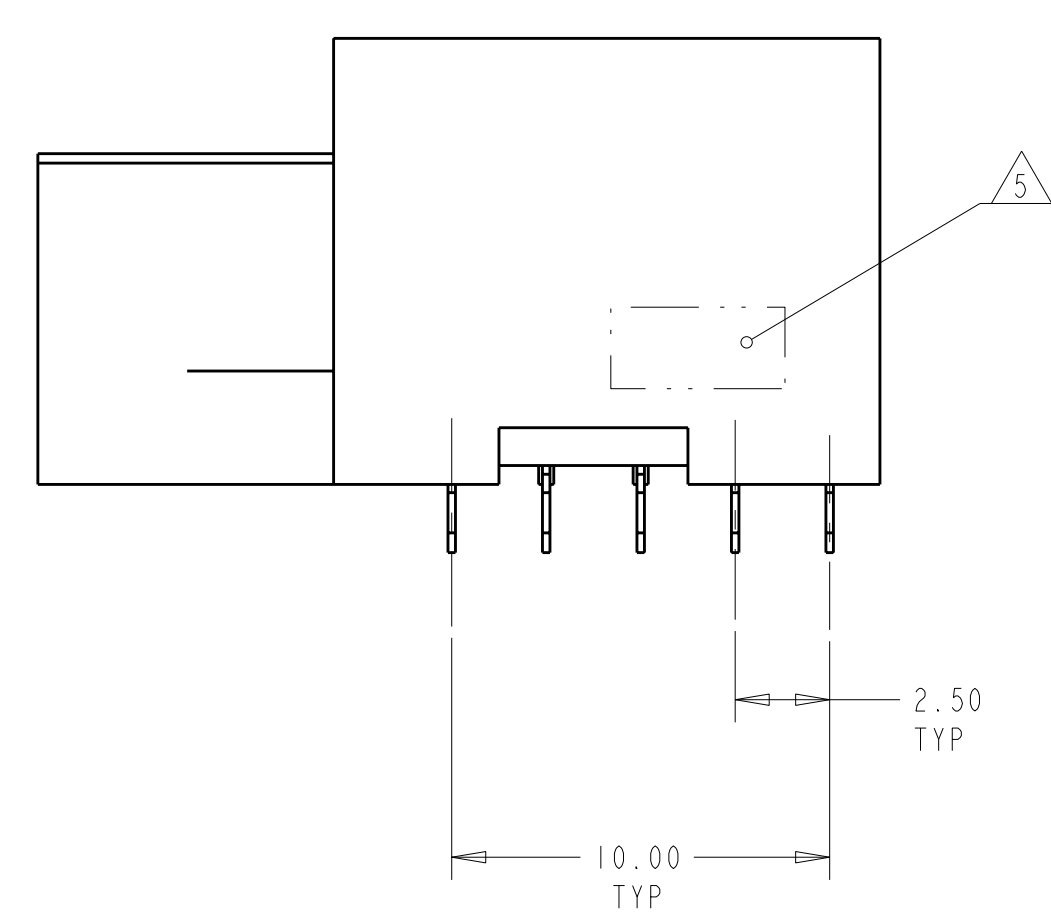


LOC	DIST	REV	DATE	BY	APPD
AD	47	C	13JUL2011	HMR	MH

- 1 CONTACT MATING AREA MEETS THE PERFORMANCE REQUIREMENTS OF TE CONNECTIVITY PRODUCT SPECIFICATION 108-1957; BASED ON TELCORDIA GR-1217-CORE, APPLICATIONS IN UNCONTROLLED ENVIRONMENTS.
- 2 PHOSPHOR BRONZE
- 3 GLASS FILLED POLYESTER
- 4 DATUMS AND BASIC DIMENSIONS ESTABLISHED BY CUSTOMER
- 5 CONNECTOR MARKED WITH PART NUMBER AND DATE CODE
- 6 DRILLED HOLE DIAMETER  $0.7 \pm 0.025$   
 FINISHED HOLE DIA  $0.60 \pm 0.05$  REF  
 COPPER THICKNESS 0.025-0.050  
 TIN LEAD THICKNESS 0.004-0.010
- 7 CONTACT AREA LUBRICATED WITH BELLCORE APPROVED LUBRICANT  
 TECHNICAL REFERENCE: GR-1217-CORE, ISSUE 1, NOVEMBER 1995



RECOMMENDED  
 PRINTED CIRCUIT BOARD  
 LAYOUT  
 COMPONENT SIDE OF PRINTED CIRCUIT BOARD



120667-1  
 PART NUMBER

THIS DRAWING IS A CONTROLLED DOCUMENT.		DWN H. MOLL 11 JAN 99	NAME SHROUD ASSEMBLY, 50 POSITION, RIGHT HAND, 10 ROW, Z-PACK HS3
DIMENSIONS: mm		CHK S. MICKIEVCZ 30 JUN 99	PRODUCT SPEC
TOLERANCES UNLESS OTHERWISE SPECIFIED:		APVD H. ANDREWS 30 JUN 99	APPLICATION SPEC
9 PLC ±		SIZE A1	CAGE CODE 00779
1 PLC ±0.13		DRAWING NO C=120667	RESTRICTED TO
5 PLC ±0.05		SCALE 5:1	SHEET 1 OF 1
4 PLC ±		REV C	
ANGLES ±			
FINISH			
MATERIAL HOUSING: 3			
CONTACTS: 2			
GROUND CONTACT: 1			