



Chipsmall Limited consists of a professional team with an average of over 10 year of expertise in the distribution of electronic components. Based in Hongkong, we have already established firm and mutual-benefit business relationships with customers from,Europe,America and south Asia,supplying obsolete and hard-to-find components to meet their specific needs.

With the principle of “Quality Parts,Customers Priority,Honest Operation,and Considerate Service”,our business mainly focus on the distribution of electronic components. Line cards we deal with include Microchip,ALPS,ROHM,Xilinx,Pulse,ON,Everlight and Freescale. Main products comprise IC,Modules,Potentiometer,IC Socket,Relay,Connector.Our parts cover such applications as commercial,industrial, and automotives areas.

We are looking forward to setting up business relationship with you and hope to provide you with the best service and solution. Let us make a better world for our industry!



## Contact us

Tel: +86-755-8981 8866 Fax: +86-755-8427 6832

Email & Skype: info@chipsmall.com Web: www.chipsmall.com

Address: A1208, Overseas Decoration Building, #122 Zhenhua RD., Futian, Shenzhen, China



4

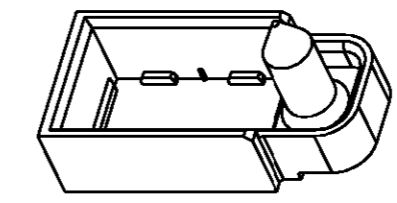
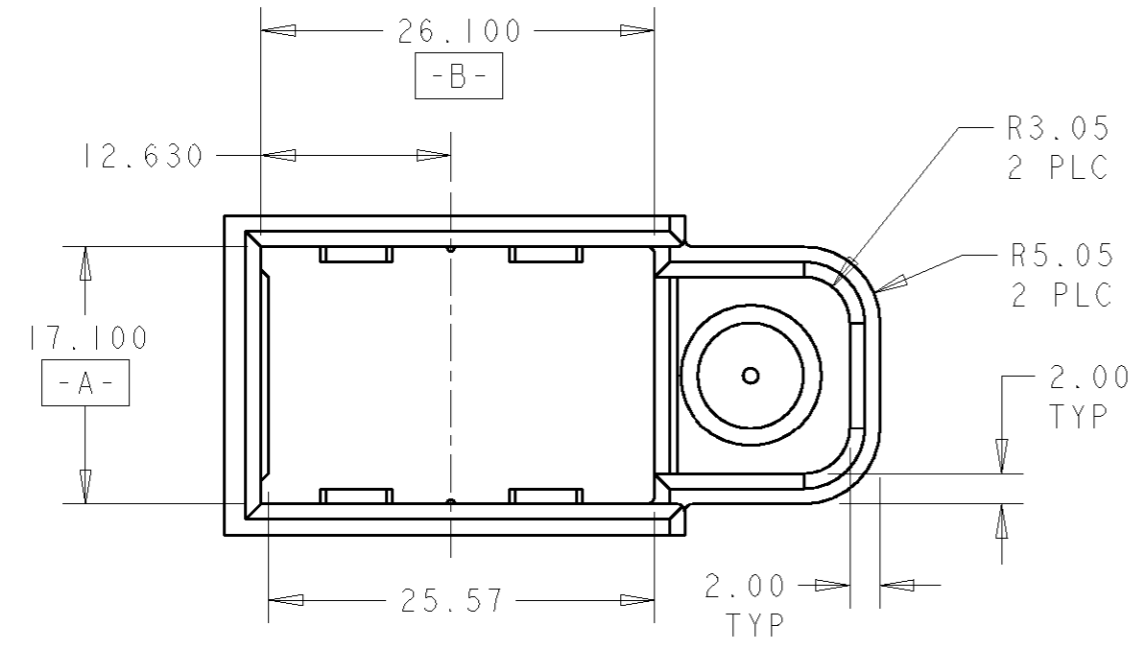
3

2

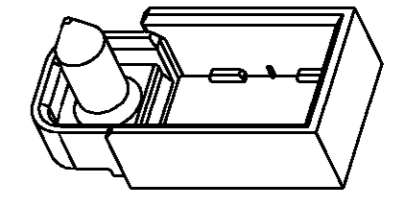
1

THIS DRAWING IS UNPUBLISHED. RELEASED FOR PUBLICATION 20  
 © COPYRIGHT 20 BY TYCO ELECTRONICS CORPORATION. ALL RIGHTS RESERVED.

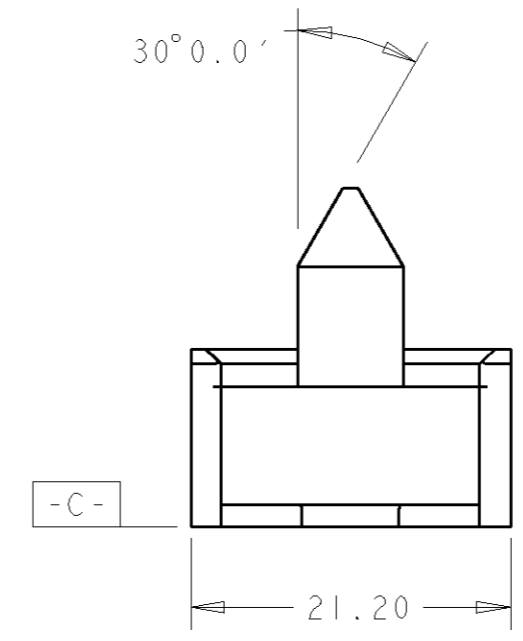
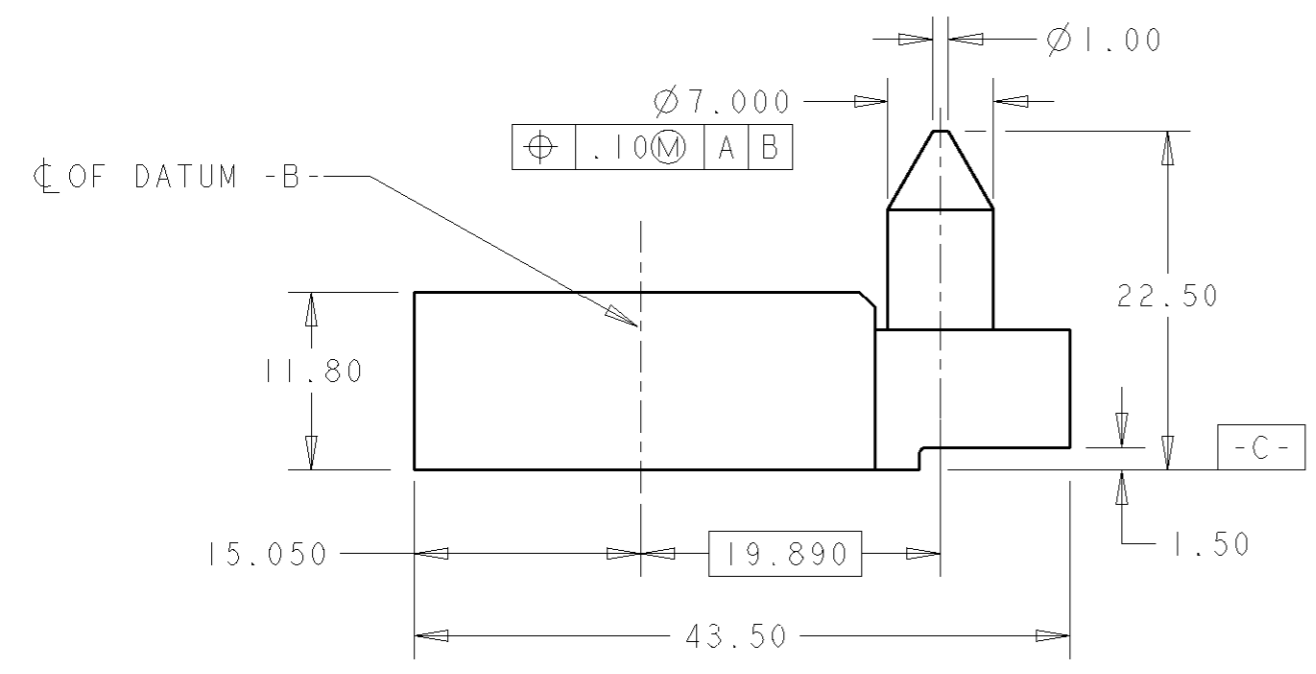
LOC	DIST	REVISIONS			
P	LTR	DESCRIPTION	DATE	DWN	APVD
AD	47	B	REV PER EC OUIB-0193-01	18JUL2001	BC RP



SCALE 1:1



SCALE 1:1



THIS PRODUCT HAS NOT COMPLETED VALIDATION TESTING

NOTES:

- 1 MATERIAL: VALOX 420 SEO, COLOR: BLACK
- 2. SHROUD APPLIED TO PCB WITH 60 POSITION, 6 ROW VERTICAL HS3 HEADER

<small>THIS DRAWING IS A CONTROLLED DOCUMENT FOR TYCO ELECTRONICS CORPORATION. IT IS SUBJECT TO CHANGE AND THE CONTROLLING ENGINEERING ORGANIZATION SHOULD BE CONTACTED FOR THE LATEST REVISION.</small>		DWN BRIAN COSTELLO CHK RA PATTERSON APVD - PRODUCT SPEC - APPLICATION SPEC - WEIGHT -	11APR2001 23APR01 - - - -	<b>tyco</b> <b>Electronics</b> Tyco Electronics Harrisburg, PA 17105-3608	NAME GUIDE SHROUD FOR 60 POSITION, 6 ROW HS3 VERTICAL HEADER	SIZE A3 CAGE CODE 00779 DRAWING NO C-120866	RESTRICTED TO -
DIMENSIONS: mm	TOLERANCES UNLESS OTHERWISE SPECIFIED: 0 PLC ±- 1 PLC ±0.1 2 PLC ±0.05 3 PLC ±0.005 4 PLC ±0.0001 ANGLES ±-	MATERIAL 	FINISH -	CUSTOMER DRAWING	SCALE 2:1	SHEET 1 OF 1	REV B