



Chipsmall Limited consists of a professional team with an average of over 10 year of expertise in the distribution of electronic components. Based in Hongkong, we have already established firm and mutual-benefit business relationships with customers from,Europe,America and south Asia,supplying obsolete and hard-to-find components to meet their specific needs.

With the principle of "Quality Parts,Customers Priority,Honest Operation,and Considerate Service",our business mainly focus on the distribution of electronic components. Line cards we deal with include Microchip,ALPS,ROHM,Xilinx,Pulse,ON,Everlight and Freescale. Main products comprise IC,Modules,Potentiometer,IC Socket,Relay,Connector.Our parts cover such applications as commercial,industrial, and automotives areas.

We are looking forward to setting up business relationship with you and hope to provide you with the best service and solution. Let us make a better world for our industry!



Contact us

Tel: +86-755-8981 8866 Fax: +86-755-8427 6832

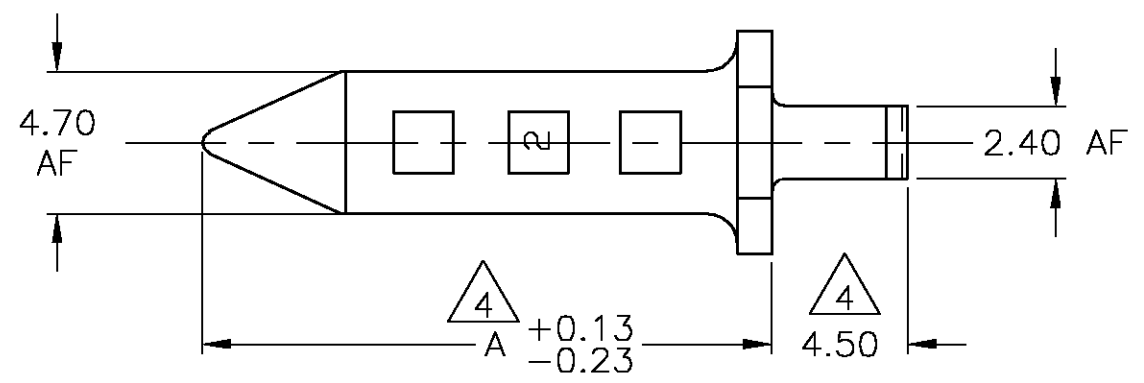
Email & Skype: info@chipsmall.com Web: www.chipsmall.com

Address: A1208, Overseas Decoration Building, #122 Zhenhua RD., Futian, Shenzhen, China

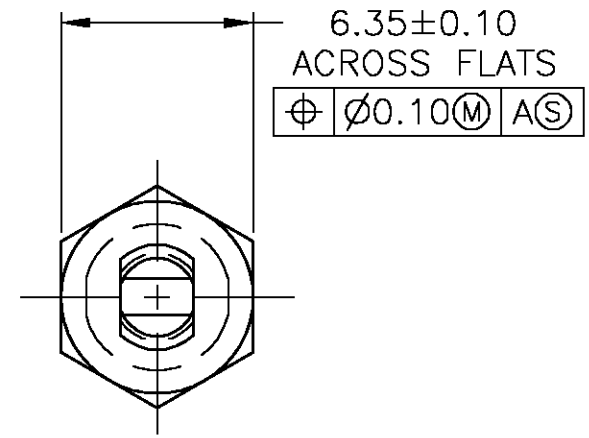
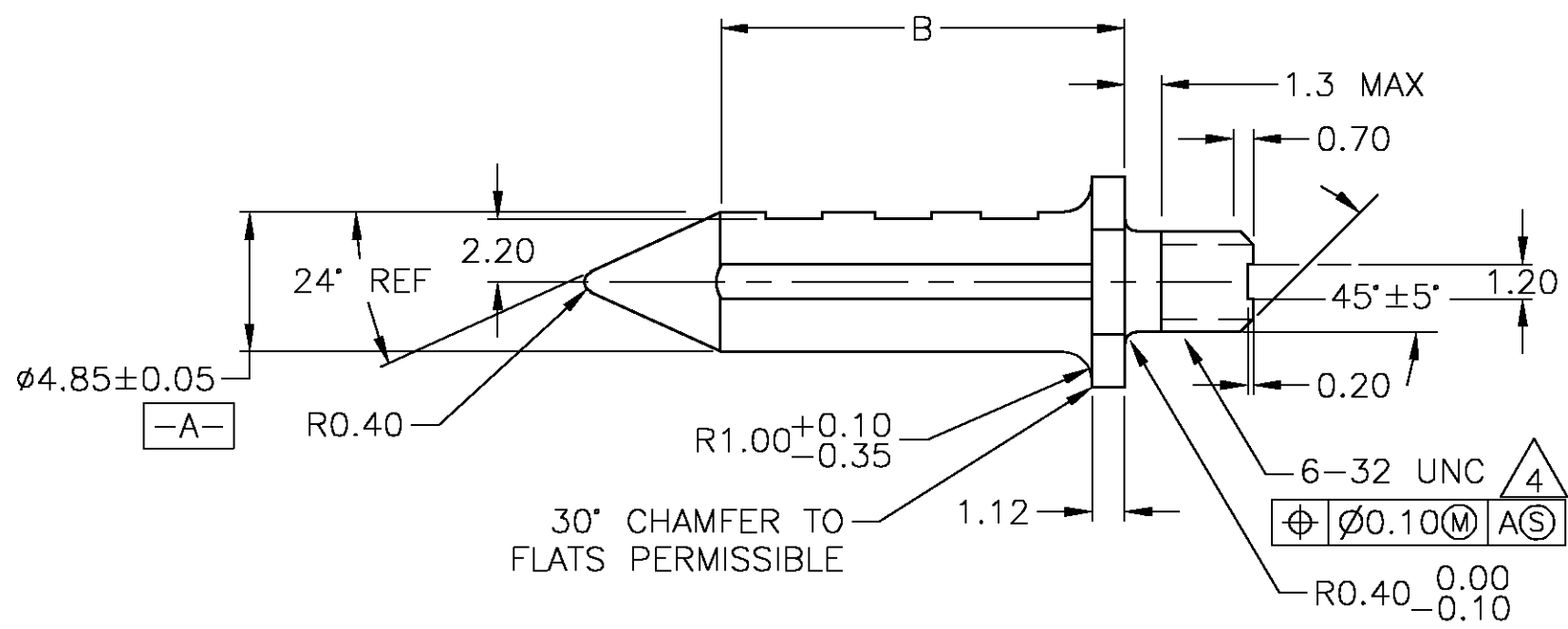


THIS DRAWING IS UNPUBLISHED. RELEASED FOR PUBLICATION
 © COPYRIGHT BY TYCO ELECTRONICS CORPORATION. ALL RIGHTS RESERVED.

LOC	DIST	REVISIONS					
AD	00	P	LTR	DESCRIPTION	DATE	DWN	APVD
		E		REV PER EC 0S12-0420-04	30SEP04	BC	RP



- 1 MATERIAL: ZINC ALLOY.
- 2 FINISH: CHROMATE CONVERSION COATING.
- 3. RECOMMENDED PC BOARD DRILLED HOLE IS $\phi 4.10 \pm 0.08$ mm IF APPLYING A NUT FROM THE REAR OF THE BOARD. IF USING WITH PEM NUT P/N KFS2-6-32, DRILLED HOLE SHOULD BE $\phi 5.41^{+0.08}_{0.00}$.
- 4 RECOMMENDED MAXIMUM TORQUE TO BE 6 IN-LBS.



25.23	30.00	2	1	120932-4
14.06	18.83	2	1	120932-1
B	A	FINISH	MATERIAL	PART NUMBER

THIS DRAWING IS A CONTROLLED DOCUMENT.		DWN B.CARBO 02MAY03	Tyco Electronics Corporation Harrisburg, Pa 17105-3608			
DIMENSIONS: mm		CHK R.PATTERSON 02MAY03				
TOLERANCES UNLESS OTHERWISE SPECIFIED:		APVD R.PATTERSON 02MAY03	NAME			
0 PLC ± - 1 PLC ± - 2 PLC ± 0.13 3 PLC ± - 4 PLC ± - ANGLES ± 0°30'		PRODUCT SPEC	GUIDE PIN, UNIVERSAL POWER MODULE			
MATERIAL SEE TABLE		APPLICATION SPEC	SIZE	CAGE CODE	DRAWING NO	RESTRICTED TO
FINISH SEE TABLE		WEIGHT -	A3	00779	C-120932	-
CUSTOMER DRAWING			SCALE 4:1	SHEET 1 OF 1	REV E	