



Chipsmall Limited consists of a professional team with an average of over 10 year of expertise in the distribution of electronic components. Based in Hongkong, we have already established firm and mutual-benefit business relationships with customers from,Europe,America and south Asia,supplying obsolete and hard-to-find components to meet their specific needs.

With the principle of “Quality Parts,Customers Priority,Honest Operation,and Considerate Service”,our business mainly focus on the distribution of electronic components. Line cards we deal with include Microchip,ALPS,ROHM,Xilinx,Pulse,ON,Everlight and Freescale. Main products comprise IC,Modules,Potentiometer,IC Socket,Relay,Connector.Our parts cover such applications as commercial,industrial, and automotives areas.

We are looking forward to setting up business relationship with you and hope to provide you with the best service and solution. Let us make a better world for our industry!



## Contact us

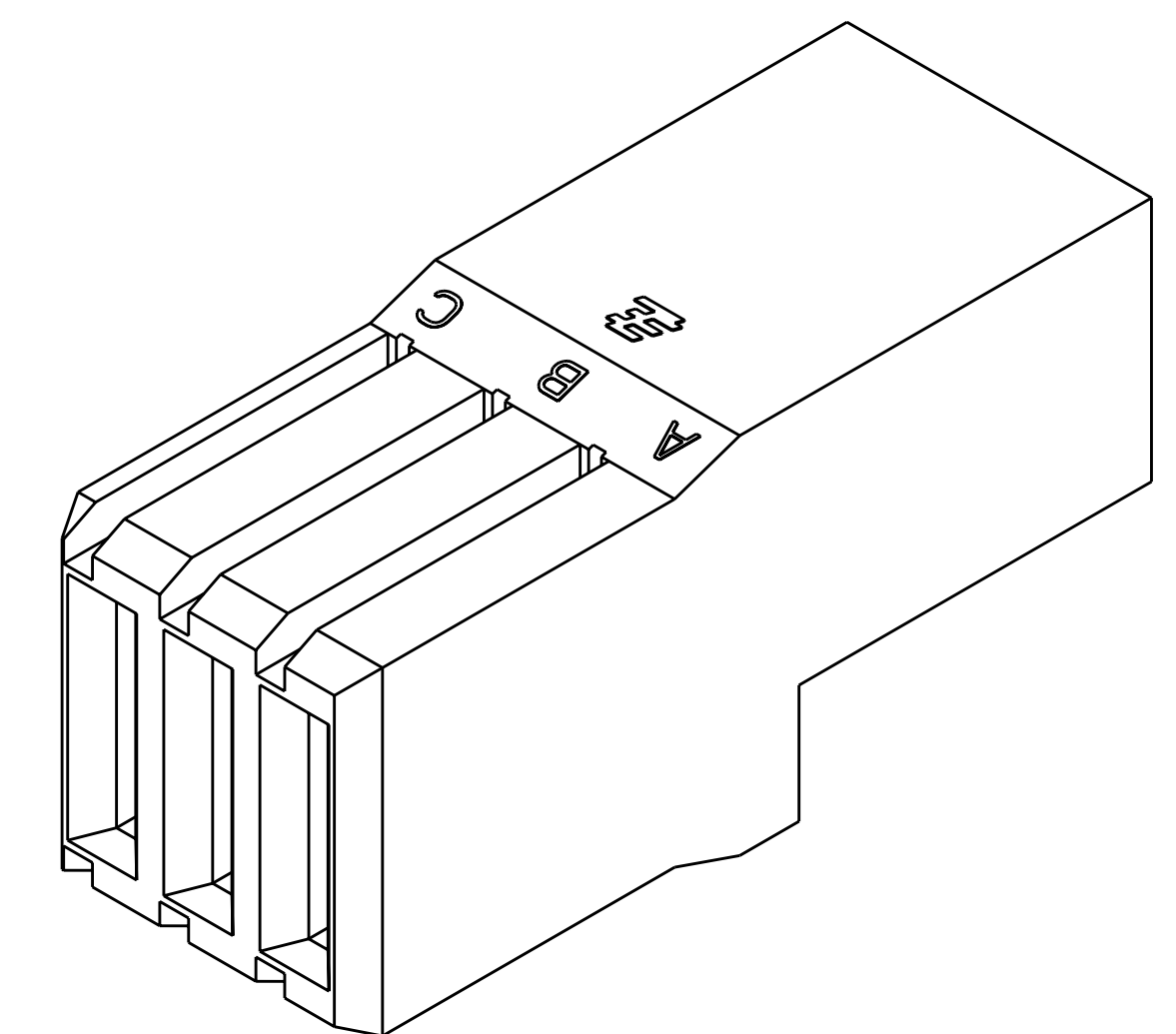
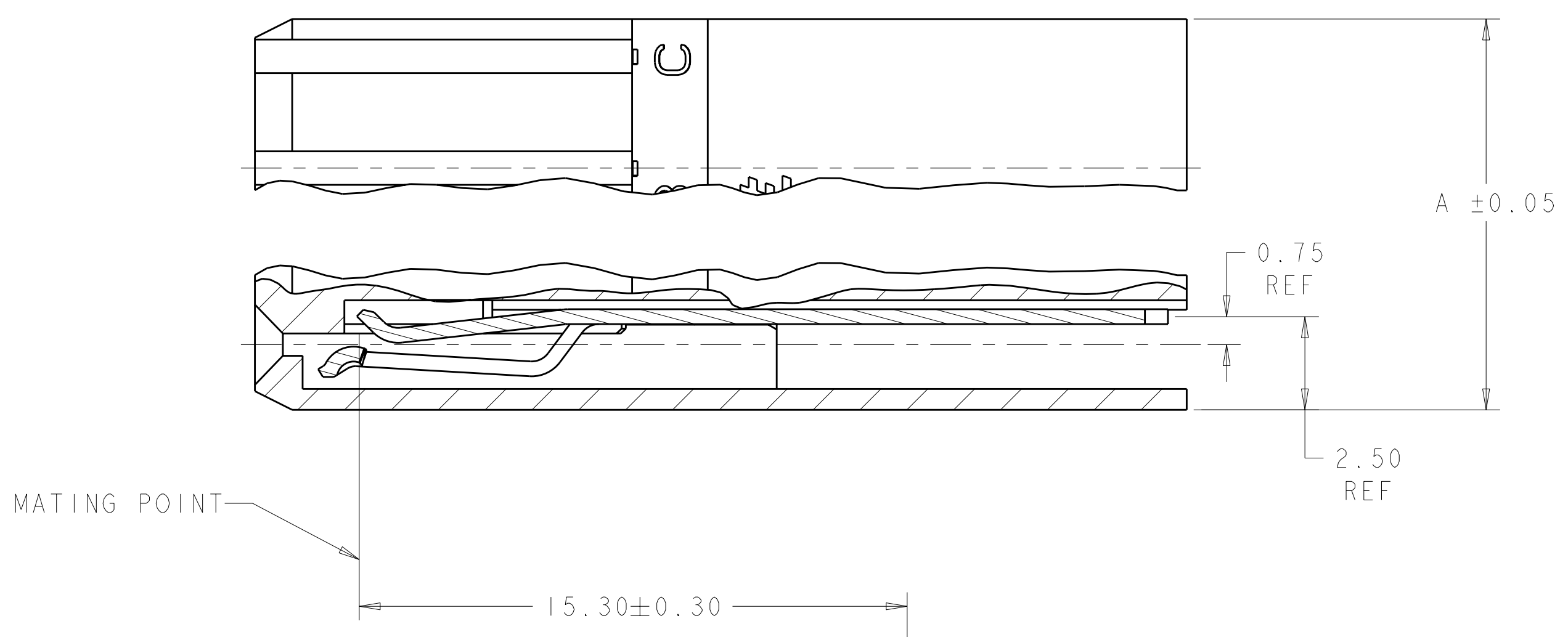
Tel: +86-755-8981 8866 Fax: +86-755-8427 6832

Email & Skype: info@chipsmall.com Web: www.chipsmall.com

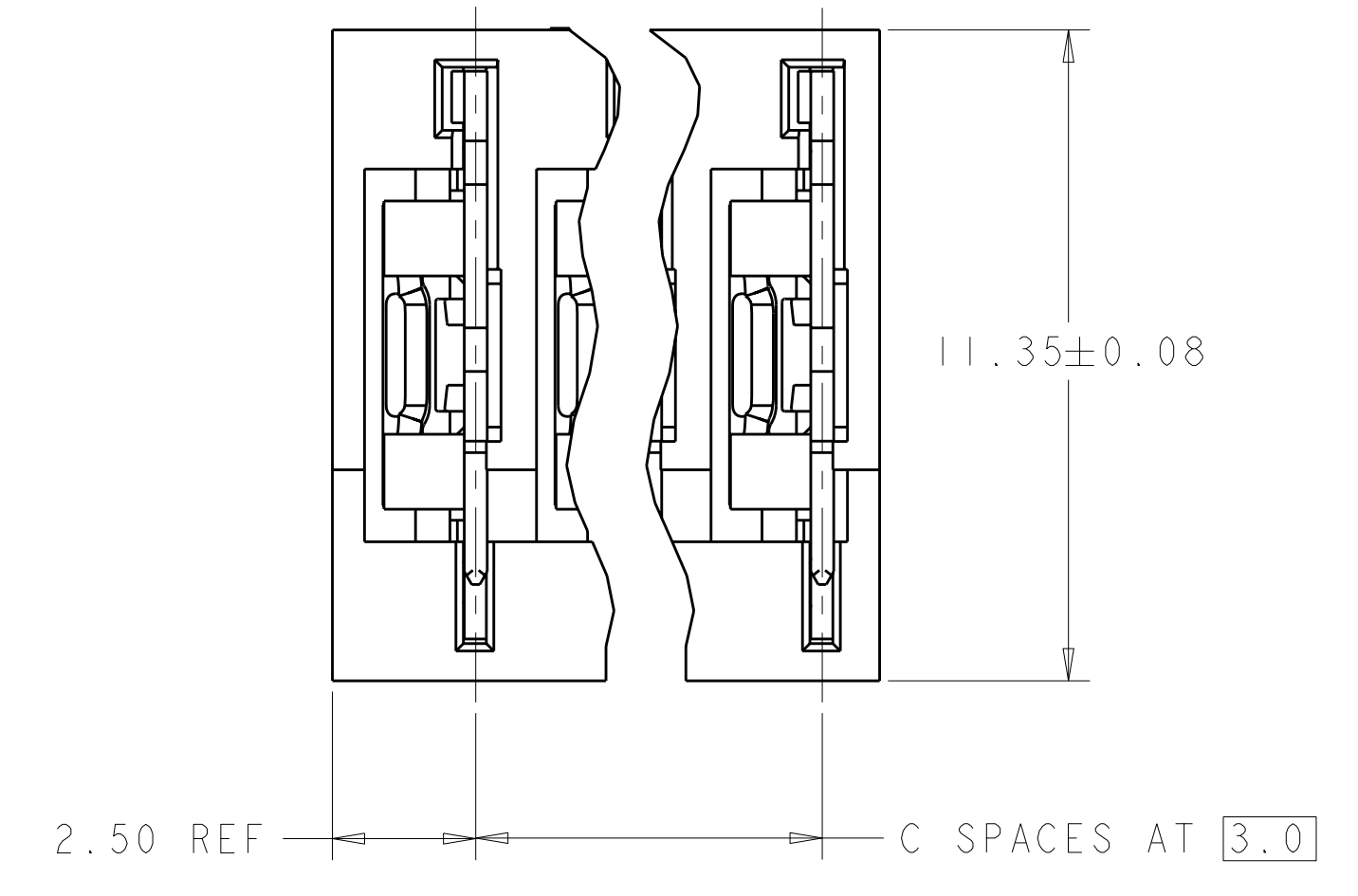
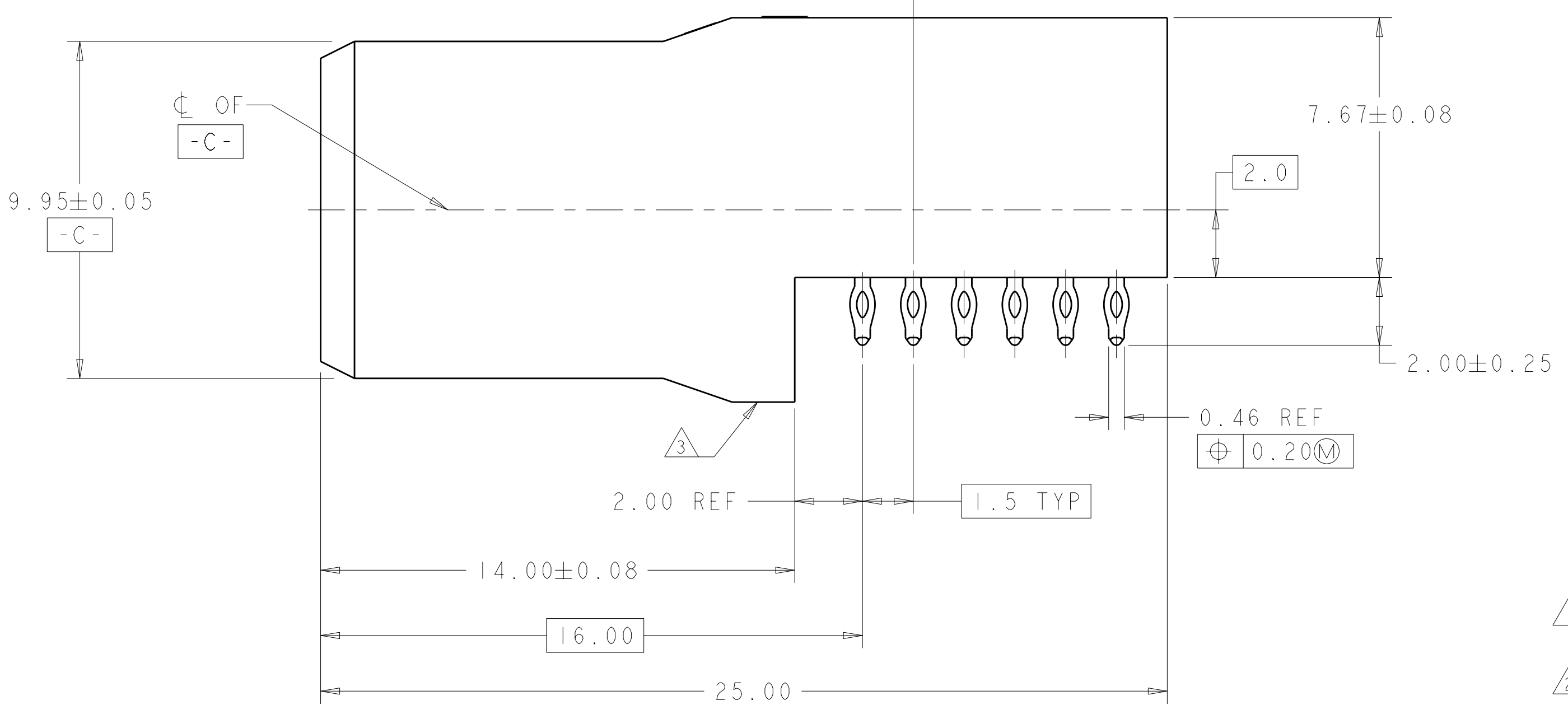
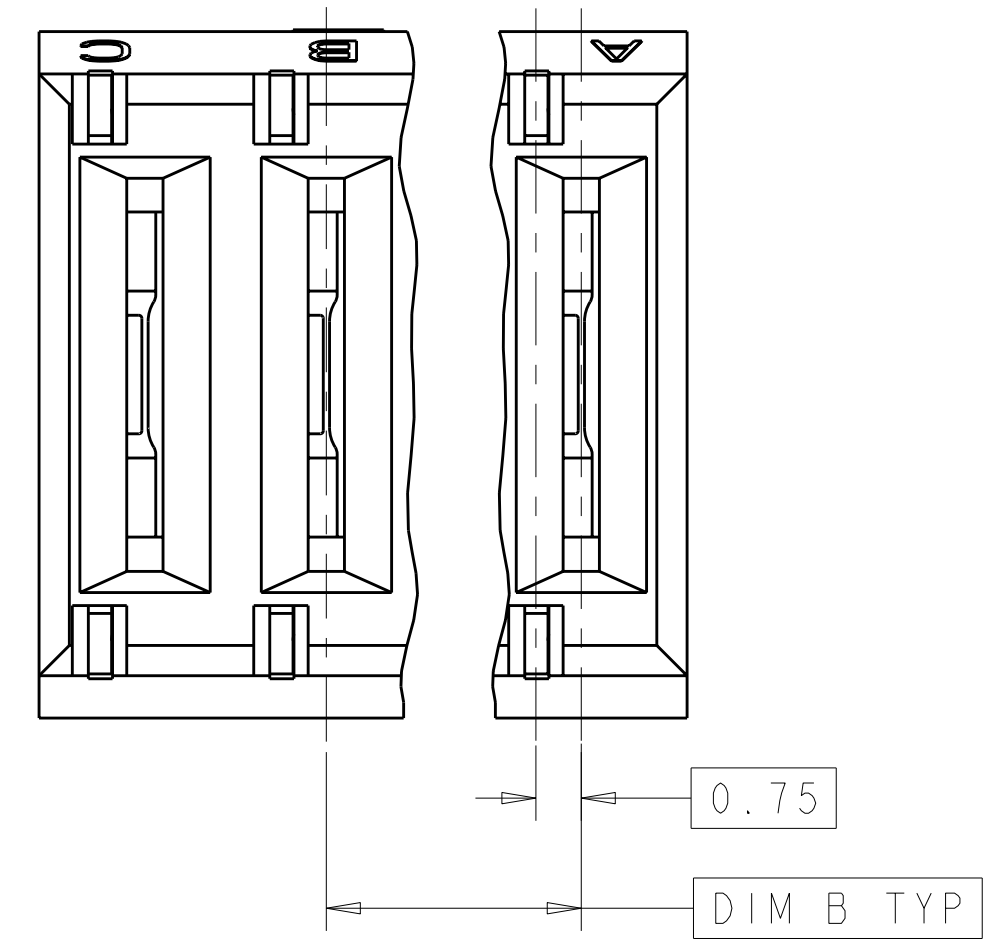
Address: A1208, Overseas Decoration Building, #122 Zhenhua RD., Futian, Shenzhen, China



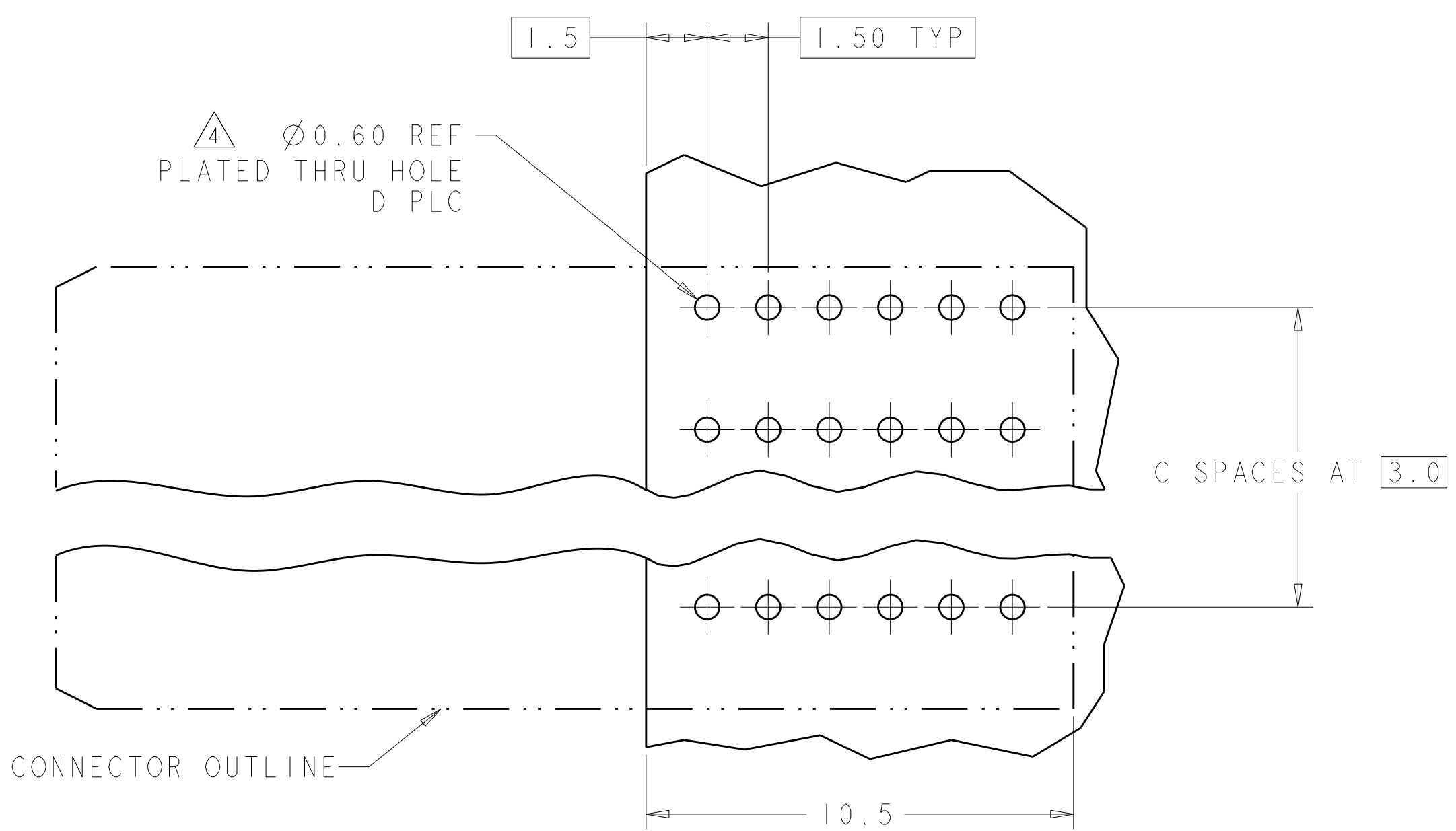
LOC	DIST	REVISIONS			
REV	DATE	DESCRIPTION	DATE	BY	APPD
A1	12MAR2011	REVISED PER ECO-11-004917		RK	HMR



SCALE 6:1



- ① HOUSING: POLYESTER, GRAY.  
CONTACT: HIGH CURRENT COPPER ALLOY.
- ② CONTACT MATING AREA: 1.27µm MIN GOLD PLATE,  
ACTION PIN AREA, 0.5µm MIN MATTE TIN PLATE,  
ALL OVER 1.27µm MIN NICKEL UNDERPLATE.
- ③ DATE CODE THIS APPROXIMATE AREA.
- ④ REFERENCE APPLICATION SPEC 114-1103 FOR RECOMMENDED  
PLATED THRU HOLE DIAMETER & PLATING THICKNESSES.



54	8	12.0	27.50	9	120943-7
48	7	10.5	24.50	8	120943-6
42	6	9.0	21.50	7	120943-5
36	5	7.5	18.50	6	120943-4
30	4	6.0	15.50	5	120943-3
24	3	4.5	12.30	4	120943-2
18	2	3.0	9.50	3	120943-1
D	C	B	A	POSN	PART NUMBER

THIS DRAWING IS A CONTROLLED DOCUMENT.

APVD: R. PATTERSON 16 JUN 2005

CHK: R. PATTERSON 16 JUN 2005

DWN: B. CARBO 16 JUN 2005

NAME: ASSEMBLY, RIGHT ANGLE, RECEPTACLE, UNIVERSAL POWER MODULE

PRODUCT SPEC: -

APPLICATION SPEC: -

WEIGHT: -

MATERIAL: -

FINISH: -

SCALE: 10:1

SHEET: 1 OF 1

REV: A1

SIZE: A100779

CAGE CODE: C=120943

RESTRICTED TO: -

CUSTOMER DRAWING