



Chipsmall Limited consists of a professional team with an average of over 10 year of expertise in the distribution of electronic components. Based in Hongkong, we have already established firm and mutual-benefit business relationships with customers from,Europe,America and south Asia,supplying obsolete and hard-to-find components to meet their specific needs.

With the principle of “Quality Parts,Customers Priority,Honest Operation,and Considerate Service”,our business mainly focus on the distribution of electronic components. Line cards we deal with include Microchip,ALPS,ROHM,Xilinx,Pulse,ON,Everlight and Freescale. Main products comprise IC,Modules,Potentiometer,IC Socket,Relay,Connector.Our parts cover such applications as commercial,industrial, and automotives areas.

We are looking forward to setting up business relationship with you and hope to provide you with the best service and solution. Let us make a better world for our industry!



Contact us

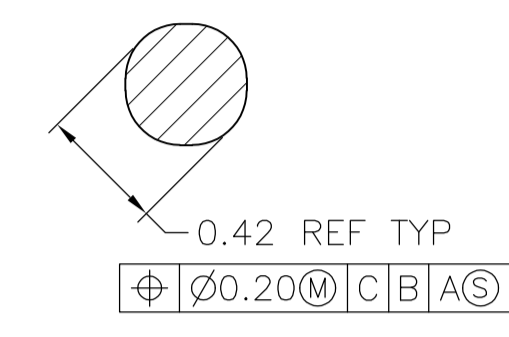
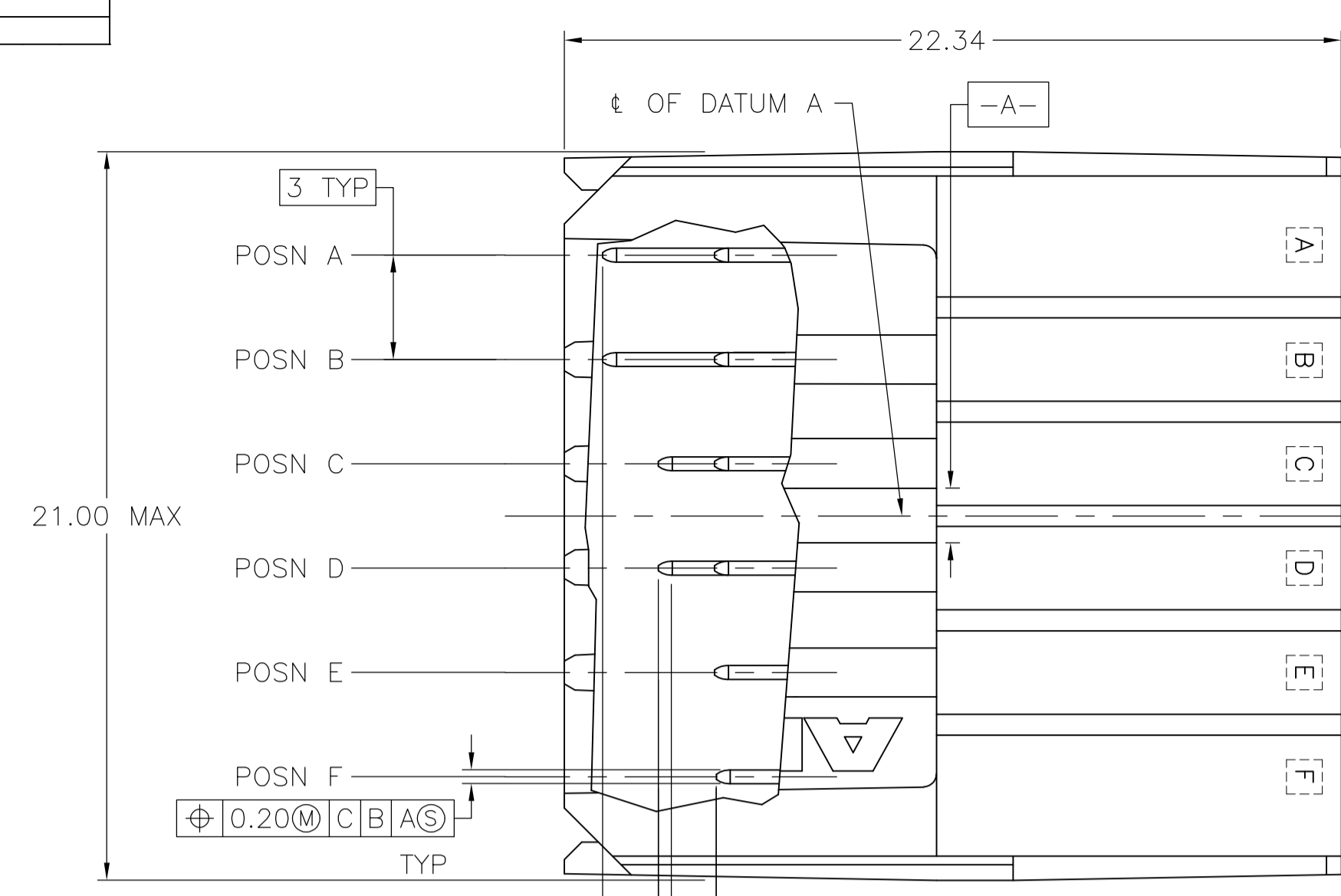
Tel: +86-755-8981 8866 Fax: +86-755-8427 6832

Email & Skype: info@chipsmall.com Web: www.chipsmall.com

Address: A1208, Overseas Decoration Building, #122 Zhenhua RD., Futian, Shenzhen, China

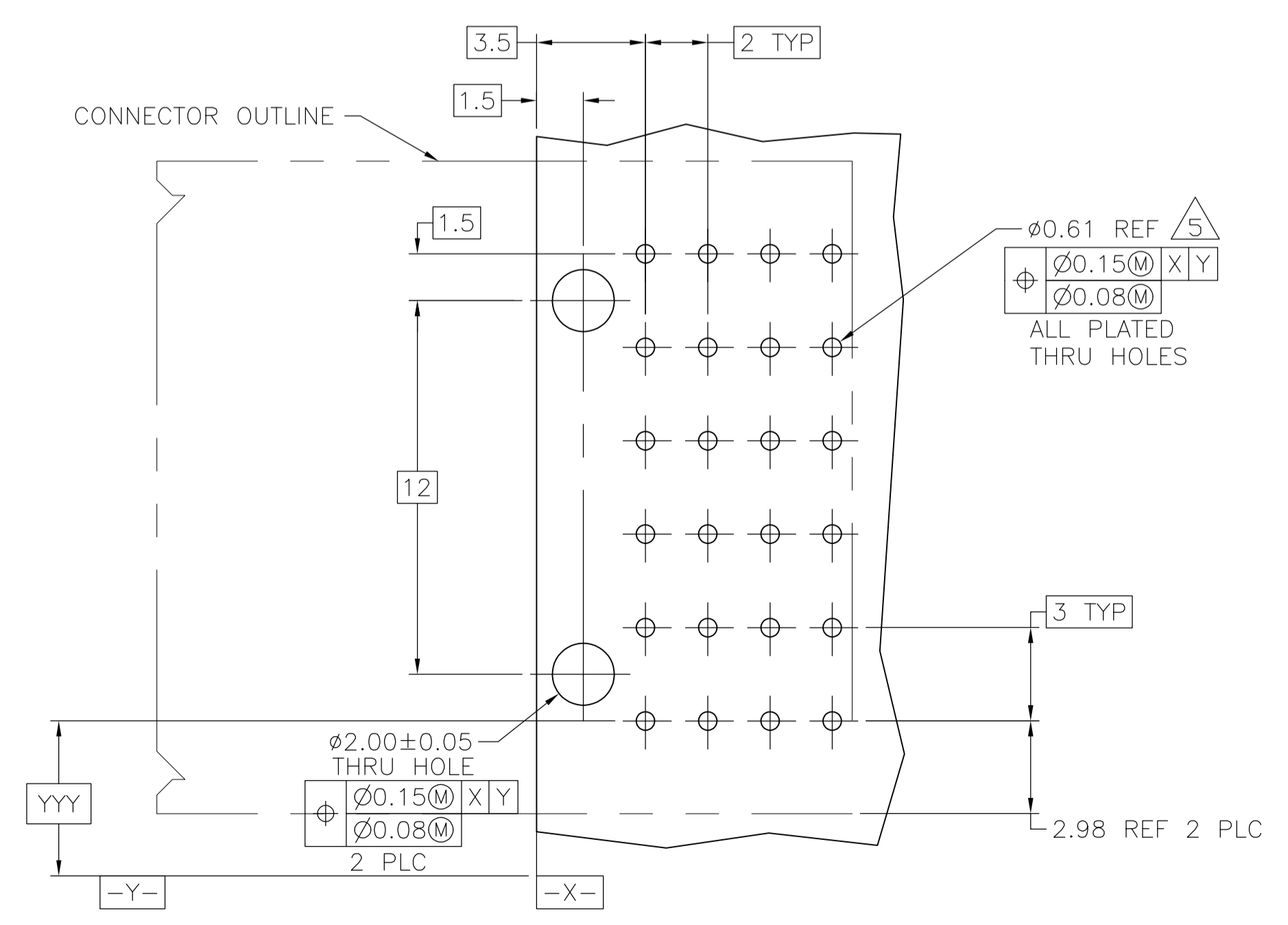
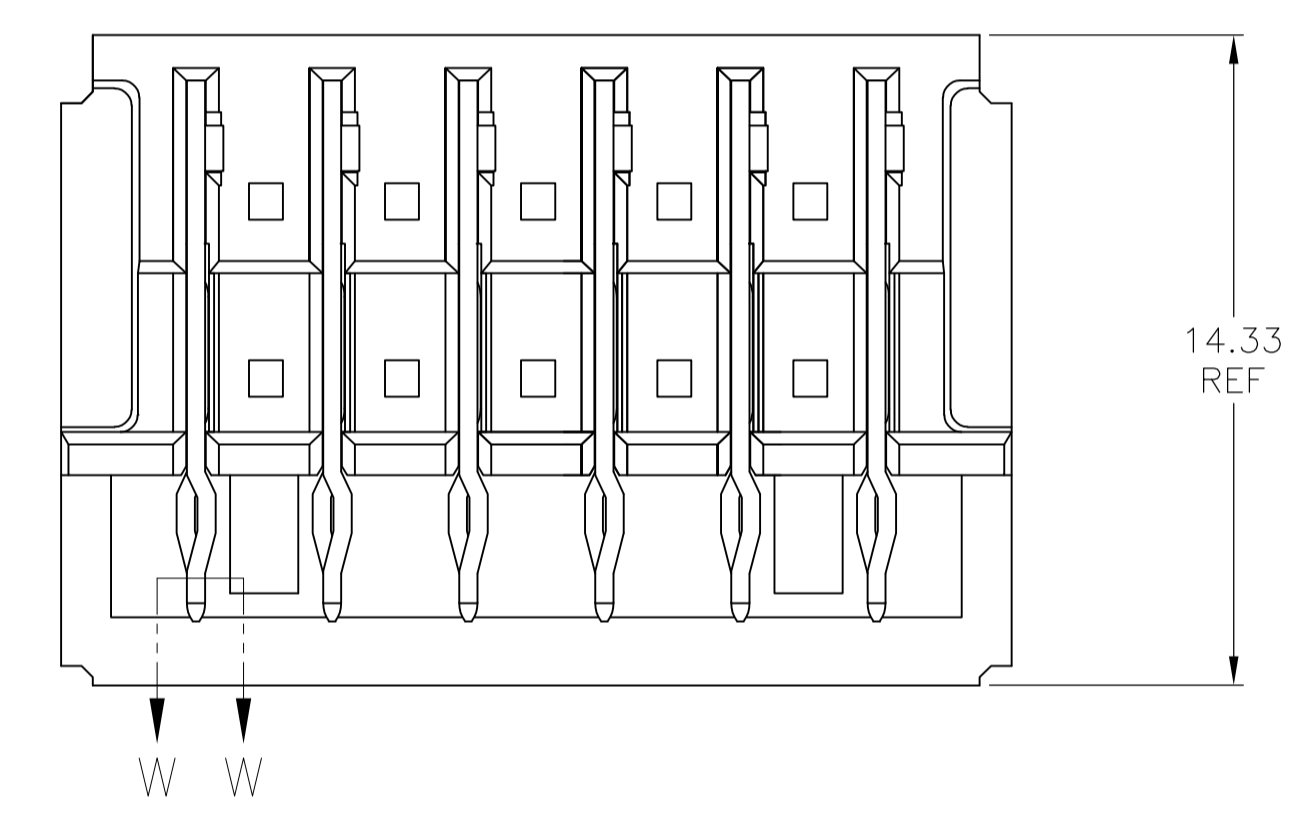
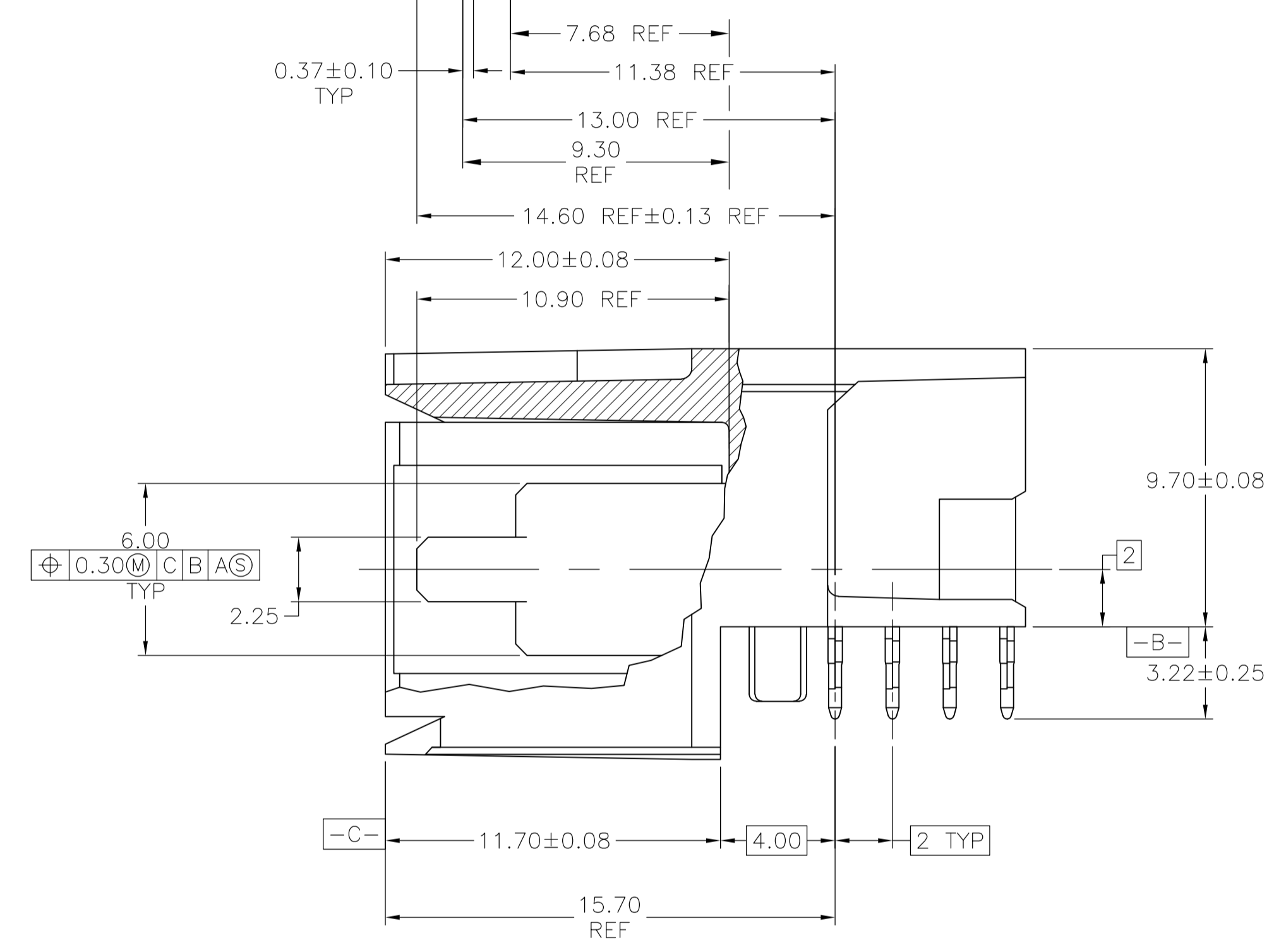
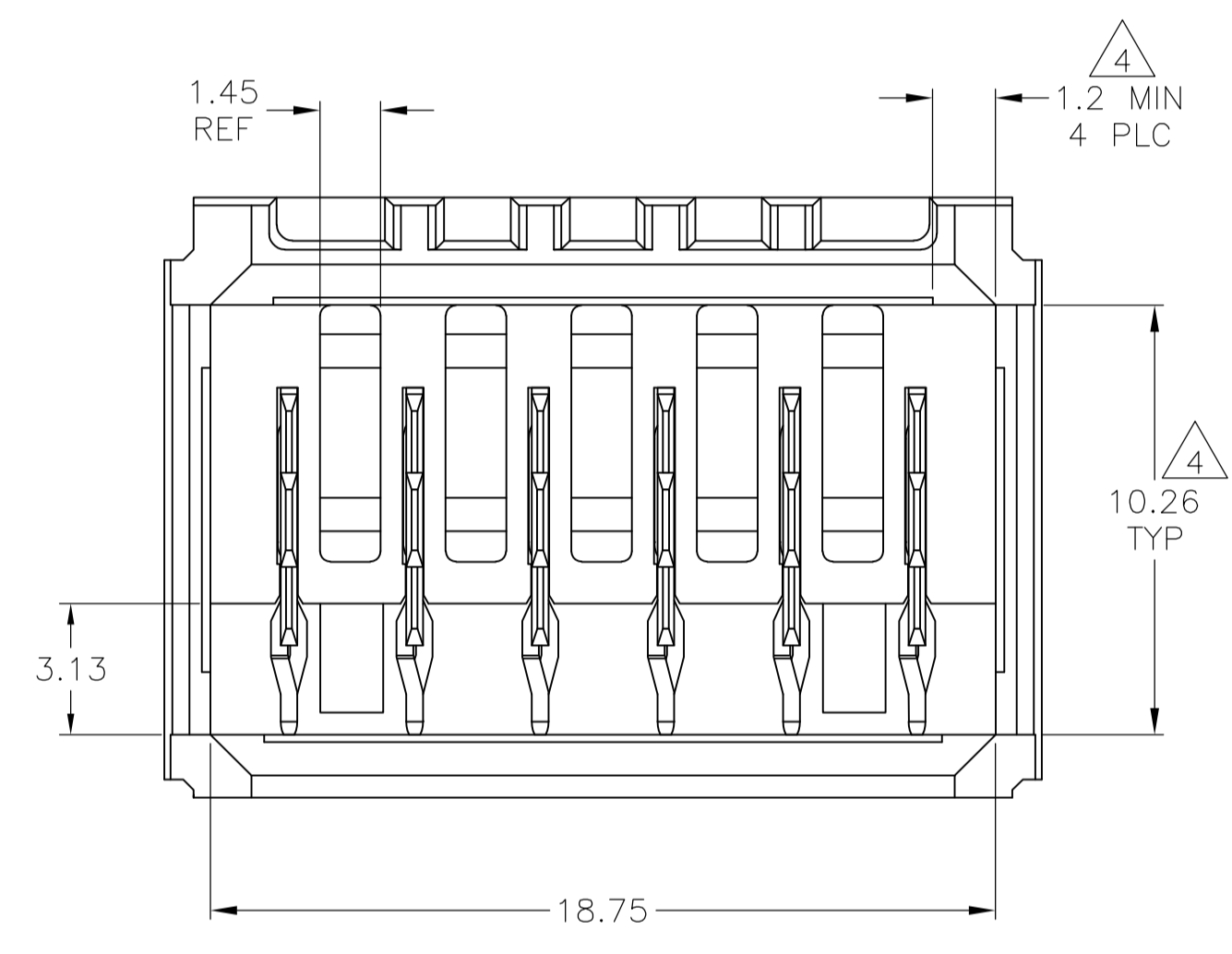


LOC		DIST		REVISIONS				
AD	00	REV	DATE	BY	CHK	APPV		
C		REVISED PER ECO-11-000045	04JAN11	DH		DY		



SECTION W-W
 SCALE 40:1

- 1 MATERIAL: HOUSING: POLYESTER, GRAY. UL 94V-0. CONTACT: HIGH CURRENT COPPER ALLOY.
- 2 FINISH: CONTACT MATING AREA: 1.27μm MIN GOLD OR 0.08μm MIN GOLD OVER 0.76μm MIN PALLADIUM-NICKEL. ACTION PIN AREA: 0.5μm MIN MATTE TIN PLATE, ALL OVER 1.27μm MIN NICKEL UNDERPLATE.
- 3 FINISH: CONTACT LUBRICATION WITH BELLCORE APPROVED LUBRICANT. TECHNICAL REFERENCE: GR-1217-CORE, ISSUE 1, NOVEMBER 1995.
- 4 THE 10.26±0.13 DIMENSION APPLIES IN THIS AREA.
- 5 REFERENCE APPLICATION SPEC 114-1103 FOR RECOMMENDED PLATED THRU HOLE DIAMETER AND PLATING THICKNESSES.
6. CURRENT RATING 16A/CONTACT PER PRODUCT SPEC 108-1651.



RECOMMENDED PCB HOLE LAYOUT

A	B	C,D,E,F	6	120956-2
A,B,C,D,E,F	-	-	6	120956-1
POSITIONS LOADED WITH 10.90 REF CONTACTS	POSITIONS LOADED WITH 9.30 REF CONTACTS	POSITIONS LOADED WITH 7.68 REF CONTACTS	NO OF LOADED POSITIONS	PART NUMBER

THIS DRAWING IS A CONTROLLED DOCUMENT.		DIN B CARDO 110CT04	Tyco Electronics Corporation	
DIMENSIONS: mm		CHK R PATTERSON 110CT04	Harrisburg, Pa 17105-3608	
TOLERANCES UNLESS OTHERWISE SPECIFIED:		APPV R PATTERSON 110CT04	NAME	
0 PLC ± -	1 PLC ± -	ASSEMBLY, RIGHT ANGLE HEADER, W/ RETENTION PEGS, UNIVERSAL POWER MODULE		
2 PLC ± 0.13	3 PLC ± -	SIZE CASE CODE DRAWING NO RESTRICTED TO		
4 PLC ± -	ANGLES ± -	A1 00779 C=120956		
MATERIAL 1	FINISH 2 3	WEIGHT -	SCALE 6:1	SHEET 1 OF 1 REV C
CUSTOMER DRAWING		SCALE 6:1 SHEET 1 OF 1 REV C		