



Chipsmall Limited consists of a professional team with an average of over 10 year of expertise in the distribution of electronic components. Based in Hongkong, we have already established firm and mutual-benefit business relationships with customers from,Europe,America and south Asia,supplying obsolete and hard-to-find components to meet their specific needs.

With the principle of “Quality Parts,Customers Priority,Honest Operation,and Considerate Service”,our business mainly focus on the distribution of electronic components. Line cards we deal with include Microchip,ALPS,ROHM,Xilinx,Pulse,ON,Everlight and Freescale. Main products comprise IC,Modules,Potentiometer,IC Socket,Relay,Connector.Our parts cover such applications as commercial,industrial, and automotives areas.

We are looking forward to setting up business relationship with you and hope to provide you with the best service and solution. Let us make a better world for our industry!



Contact us

Tel: +86-755-8981 8866 Fax: +86-755-8427 6832

Email & Skype: info@chipsmall.com Web: www.chipsmall.com

Address: A1208, Overseas Decoration Building, #122 Zhenhua RD., Futian, Shenzhen, China



4

3

2

1

THIS DRAWING IS UNPUBLISHED.

RELEASED FOR PUBLICATION

20

© COPYRIGHT 20

BY TYCO ELECTRONICS CORPORATION. ALL RIGHTS RESERVED.

LOC

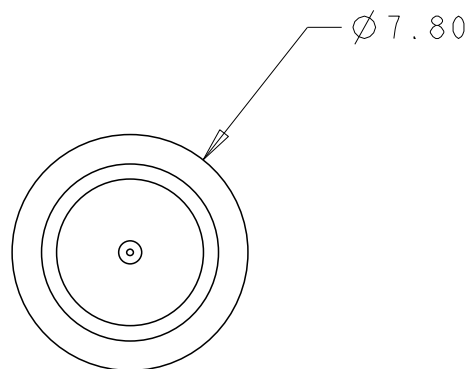
DIST

REVISIONS

AD

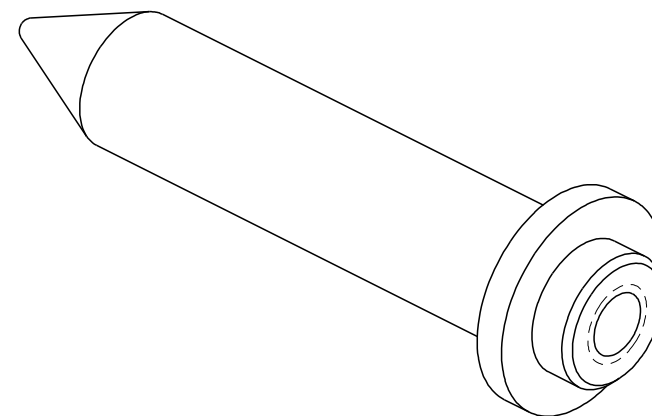
00

P	LTR	DESCRIPTION	DATE	DWN	APVD
	I	PROPOSED	25APR2008	BC	RP
	A	RELEASED	06AUG2008	DH	RP
	AI	RELEASED NEW PART -3	18NOV2015	ML	SZ

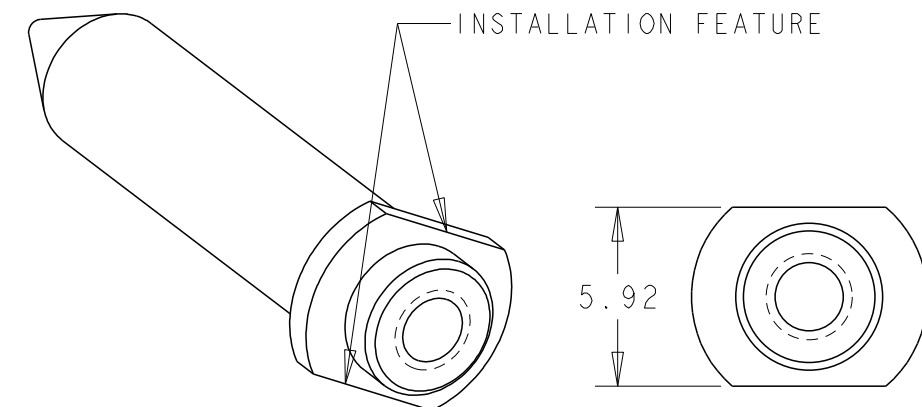


1 MATERIAL: STAINLESS STEEL.

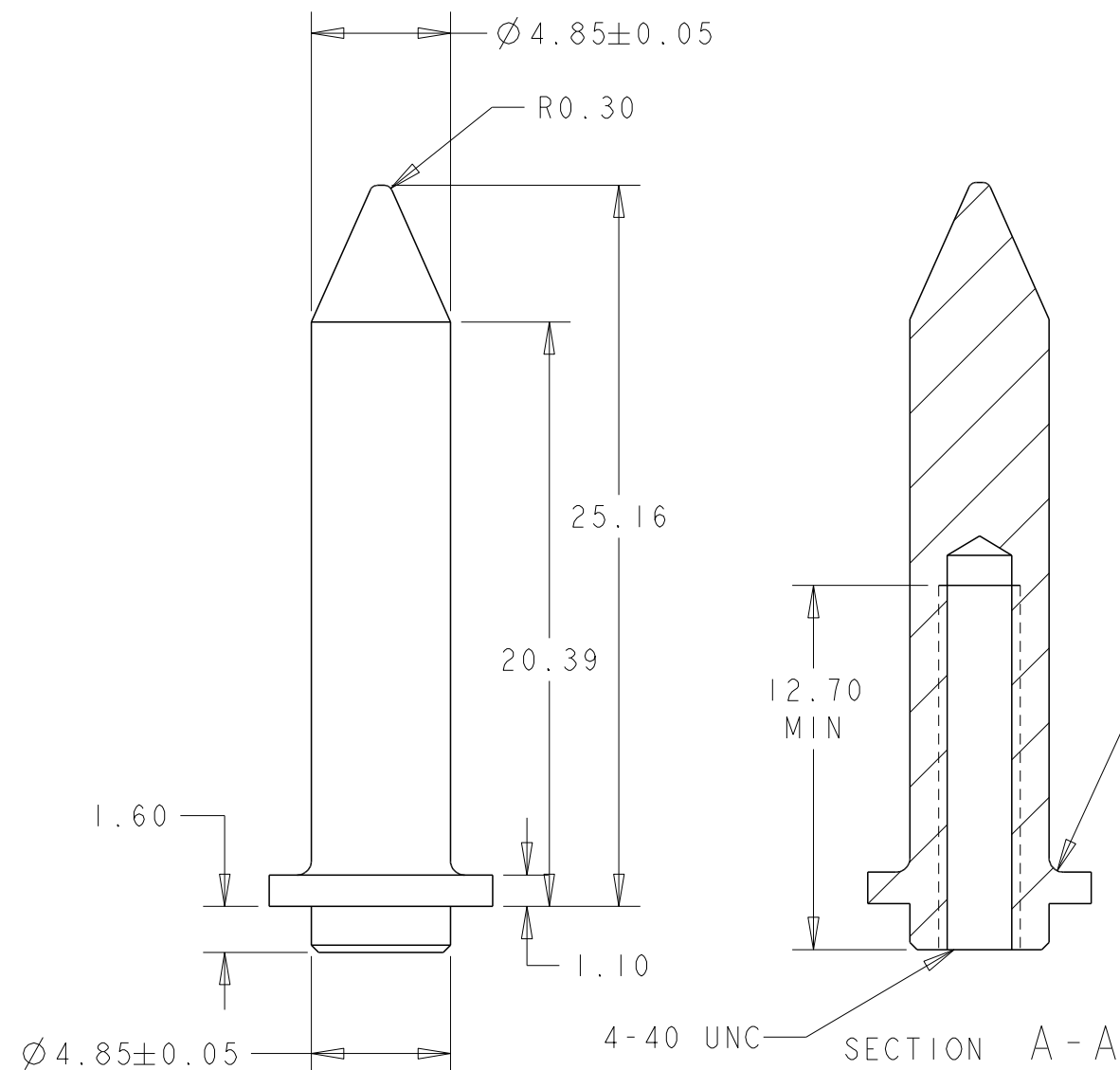
2 PASSIVATE.



PRODUCTION VIEW
P/N: 120985-1



PRODUCTION VIEW W INSTALLATION FEATURE
P/N: 120985-3



UPM GUIDE PIN WITH INSTALLATION EDGE	120985-3
UPM GUIDE PIN NO INSTALLATION EDGE	120985-1
DESCRIPTION	PART NUMBER

DIMENSIONS:		TOLERANCES UNLESS OTHERWISE SPECIFIED:		DWN		Tyco Electronics	
mm		0 PLC	±-	B. CARBO	25APR2008	Harrisburg, PA 17105-3608	
		1 PLC	±0.0	CHK	25APR2008	NAME GUIDE PIN, UNIVERSAL POWER MODULE	
		2 PLC	±0.13	R. PATTERSON	25APR2008		
		3 PLC	±0.000	APVD	25APR2008		
		4 PLC	±0.0000	R. PATTERSON	25APR2008		
MATERIAL		FINISH		PRODUCT SPEC		DRAWING NO	
1		2		-		A 300779 C=120985	
CUSTOMER DRAWING				WEIGHT		RESTRICTED TO	
				-		-	
				SCALE		SHEET	
				4:1		1 OF 1	
						REV	
						AI	