



Chipsmall Limited consists of a professional team with an average of over 10 year of expertise in the distribution of electronic components. Based in Hongkong, we have already established firm and mutual-benefit business relationships with customers from,Europe,America and south Asia,supplying obsolete and hard-to-find components to meet their specific needs.

With the principle of “Quality Parts,Customers Priority,Honest Operation,and Considerate Service”,our business mainly focus on the distribution of electronic components. Line cards we deal with include Microchip,ALPS,ROHM,Xilinx,Pulse,ON,Everlight and Freescale. Main products comprise IC,Modules,Potentiometer,IC Socket,Relay,Connector.Our parts cover such applications as commercial,industrial, and automotives areas.

We are looking forward to setting up business relationship with you and hope to provide you with the best service and solution. Let us make a better world for our industry!



Contact us

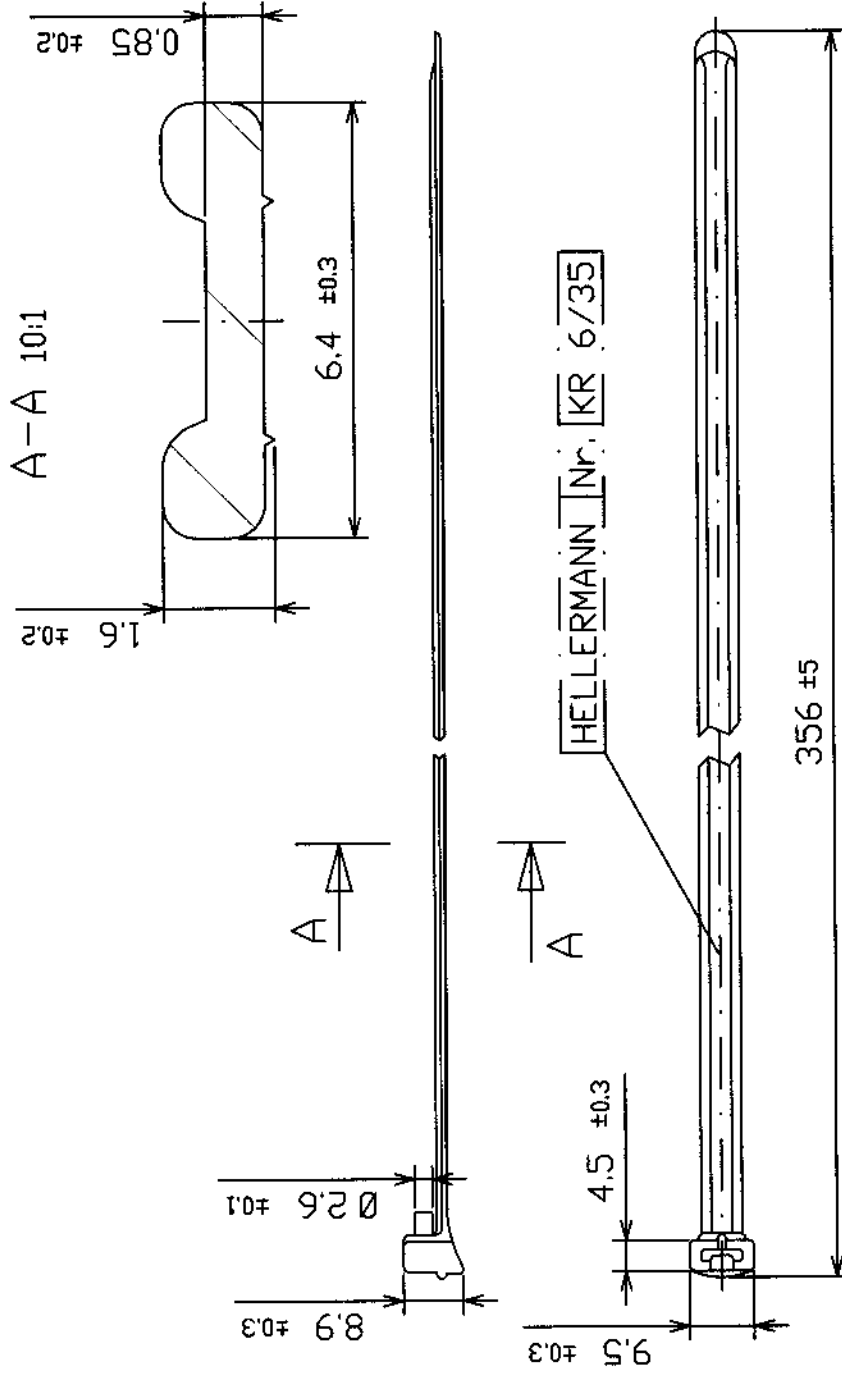
Tel: +86-755-8981 8866 Fax: +86-755-8427 6832

Email & Skype: info@chipsmall.com Web: www.chipsmall.com

Address: A1208, Overseas Decoration Building, #122 Zhenhua RD., Futian, Shenzhen, China



Anderungsstand / Revision level		Beschreibung der Aenderung/ Revision Record		Geändert / Changed		Datum / Date		Geprüft / Approved		Datum / Date	
Solid / part		Ersetzt Zeichnungs-Nr. 14.1051 Index 1 v.19.12.91		Mueller		05.04.01		kmo		05.04.01	
0	c										



KATIA 4.2.2		Gez. / Drawn	05.04.01	Mueller	Masstab / Scale	1:1	
Weitergabe sowie Verfertigung dieser Unterlage, Vervielfachung und Weitergabe ist nicht gestattet. Soweit Rechte aus druckrechtlich geschützten Texten, Bildern, Zeichnungen, Tabellen, Formeln, etc. im Falle der Patenterteilung oder Gebrauchsmuster-Eintragung vorbehalten.		Gepr. / Appr.	05.04.01	kmo	Benennung / Title		
The copyright of this drawing is reserved by HELLERMANN TYTON GMBH. It is issued on condition that it is not reproduced, copied or disclosed to a third party, either wholly or in part, without the consent of HELLERMANN TYTON GMBH.				Spannband KR6/35		Format / Size	A4
HellermannTyton HellermannTyton GmbH Grosser Moorweg 45, 25436 Tornesch Telefon: 04122 / 701-1 Telefax: 04122 / 701-400				Clamp strap KR6/35		Blatt / Sheet	
Toleranzen / Tolerances				Zeichnungs-Nr./Drawing-No		14.1051	
Maße ohne Toleranzangaben nach Dimension without tolerances details to							
DIN 16301 /							
AUSFUERHRUNG / PERFORMANCE SPEZIFIKATION / SPEC.							

RECD APR 10 2001 XCT-HMAN033CST