



Chipsmall Limited consists of a professional team with an average of over 10 year of expertise in the distribution of electronic components. Based in Hongkong, we have already established firm and mutual-benefit business relationships with customers from,Europe,America and south Asia,supplying obsolete and hard-to-find components to meet their specific needs.

With the principle of “Quality Parts,Customers Priority,Honest Operation,and Considerate Service”,our business mainly focus on the distribution of electronic components. Line cards we deal with include Microchip,ALPS,ROHM,Xilinx,Pulse,ON,Everlight and Freescale. Main products comprise IC,Modules,Potentiometer,IC Socket,Relay,Connector.Our parts cover such applications as commercial,industrial, and automotives areas.

We are looking forward to setting up business relationship with you and hope to provide you with the best service and solution. Let us make a better world for our industry!



## Contact us

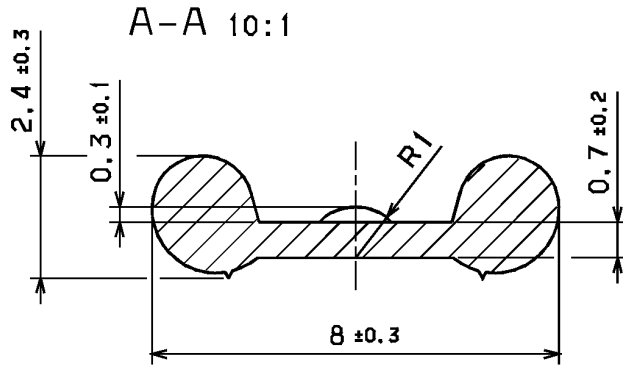
Tel: +86-755-8981 8866 Fax: +86-755-8427 6832

Email & Skype: info@chipsmall.com Web: www.chipsmall.com

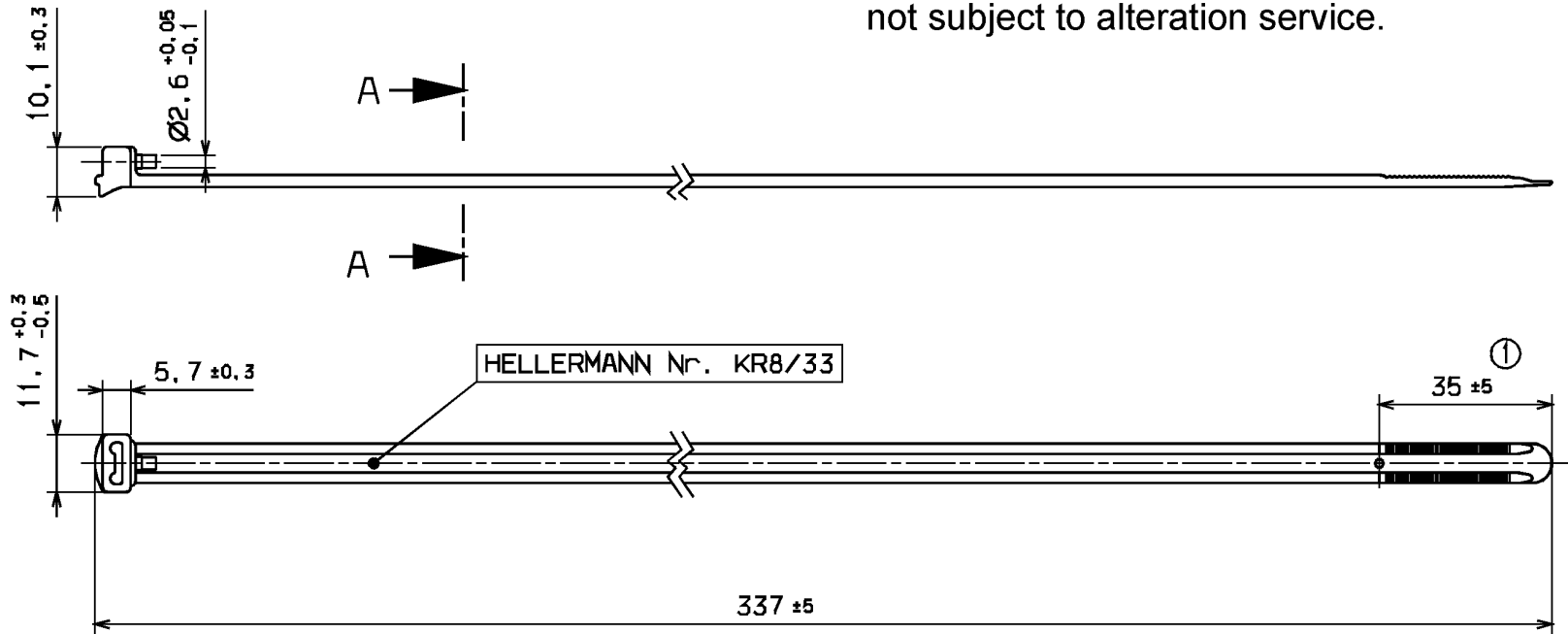
Address: A1208, Overseas Decoration Building, #122 Zhenhua RD., Futian, Shenzhen, China



Änderungsstand / Revision level		Beschreibung der Änderung/ Revision Record	Geändert Changed	Datum Date	Geprüft Approved	Datum Date
Soll / part	Zeichnung / drawing					
-	1	Toleranz ±5 hinzu.	Mueller	30.09.02	Braeuss	30.09.02



Nur zur Information,  
wird vom Änderungsdienst  
nicht erfaßt.  
For information only,  
not subject to alteration service.



Werkstoff / Material

PA 6.6 hitzestabilisiert,  
schwarz/  
PA 6.6 heatstabilized,  
black

Toleranzen / Tolerances

Messe ohne Toleranzangaben nach  
Dimension without tolerances  
details to

DN 15501 / 140

AUSFUEHRUNG / PERFORMANCE  
SPEZIFIKATION / SPEC.

- Einzelheiten bleiben dem Hersteller ueberlassen

<b>CATIA</b> 4.2.4		Gez. / Drawn	26.09.01	Mueller	Messstab / Scale 1:1;10:1 Benennung / Title <b>Spannband KR8/33</b> <b>Clamp strap KR8/33</b>
		Gepr. / Appr.	26.09.01	Braeuss	
Weitergabe sowie Vervielfaeltigung dieser Unterlage, Verfertigung und Mitteilung ihres Inhalts nicht gestattet, soweit nicht aus- druecklich zugestanden. Zukunftsverpflichtungen verpflichten zu Schadenersatz. Alle Rechte fuer den Fall der Patenterteilung oder Gebrauchsmuster-Eintragung vorbehalten. The copyright of this drawing is reserved by HELLERMANN TYTON GmbH. It is issued on condition that it is not reproduced, copied or disclosed to a third party, either wholly or in part, without the consent of HELLERMANN TYTON GmbH.					Zeichnungs-Nr. / Drawing-No <b>14.1552</b>
<b>HellermannTyton</b> HellermannTyton GmbH Grosser Moorweg 45, 25436 Tornesch Telefon: 04122 / 701-1 Telefax: 04122 / 701-400					Format D. Size <b>A3</b> Blatt Sheet