



Chipsmall Limited consists of a professional team with an average of over 10 year of expertise in the distribution of electronic components. Based in Hongkong, we have already established firm and mutual-benefit business relationships with customers from,Europe,America and south Asia,supplying obsolete and hard-to-find components to meet their specific needs.

With the principle of "Quality Parts,Customers Priority,Honest Operation,and Considerate Service",our business mainly focus on the distribution of electronic components. Line cards we deal with include Microchip,ALPS,ROHM,Xilinx,Pulse,ON,Everlight and Freescale. Main products comprise IC,Modules,Potentiometer,IC Socket,Relay,Connector.Our parts cover such applications as commercial,industrial, and automotives areas.

We are looking forward to setting up business relationship with you and hope to provide you with the best service and solution. Let us make a better world for our industry!



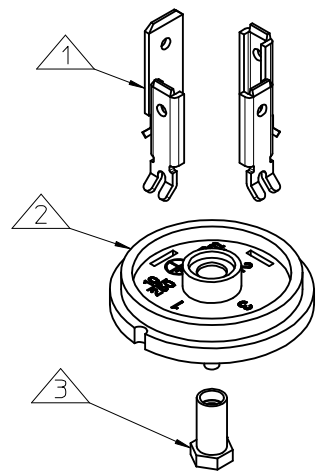
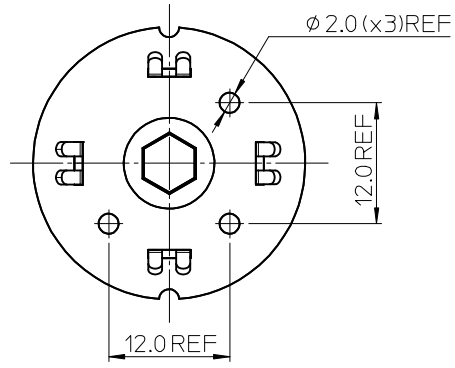
Contact us

Tel: +86-755-8981 8866 Fax: +86-755-8427 6832

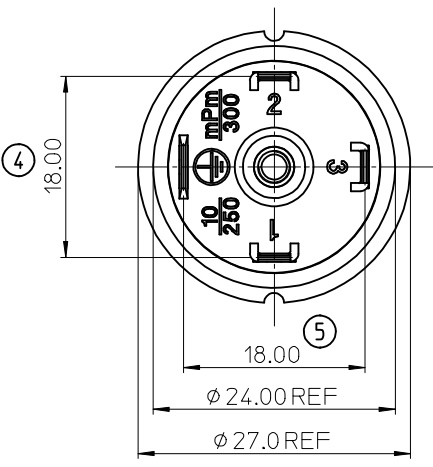
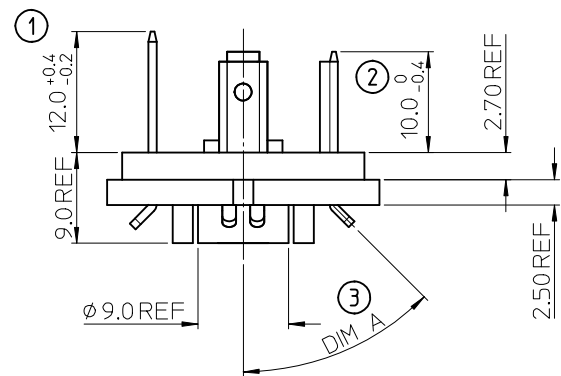
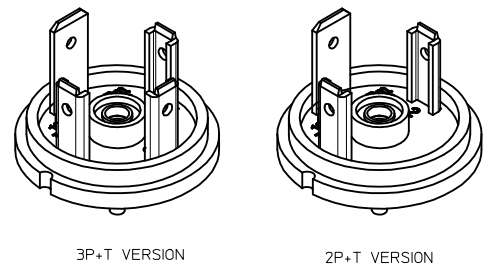
Email & Skype: info@chipsmall.com Web: www.chipsmall.com

Address: A1208, Overseas Decoration Building, #122 Zhenhua RD., Futian, Shenzhen, China





ITEM	DESCRIPTION
1	TERMINALS
2	BASE HOUSING
3	CENTRE SCREW INSERT



NOTES
 1. PLEASE SEE TABLE FOR CURRENTLY CONFIGURED PART NUMBERS.
 FOR SPECIFIC PART NUMBERS PLEASE CONTACT SALES OR CONSULT THE INTELLIGENT PART NUMBERS IN THE TABLE ATTACHED.
 2. FOR PACKAGING SEE PACKAGING SPEC PK-121013-B30
 3. PRODUCT SPEC: SEE PS-121201-001
 4. TERMINALS BENT AFTER INSERTION, FOR BEND ANGLE SEE TABLE
 LAST INSPECTION NUMBER: 5

B303000N0

SERIES ——— B30= FORM A
 POLES ——— 2= 2 POLE & 3= 3 POLE
 CURVED BASE DIAMETER ———
 000= FLAT
 MATERIAL AND HOUSING COLOUR ———
 N= PA BLACK
 SCREW AND GASKET ———
 0= NO SCREW, NO GASKET

PART NUMBER	mPm NUMBER	DESCRIPTION	DIM A	TERMINAL BEND ANGLE
1210120112	B302000N0	TYPE A 2P+T BLACK	35°±1°	
1210120114	B303000N0	TYPE A 3P+T BLACK	35°±1°	

ORIGINAL RELEASE EC NO: IPG2013-1282 DRW:DSHEA 2013/02/19 CHKD:SMCGREEVY 2013/02/20 APPR:STGRIFFIN 2013/02/28	DESCRIPTION REV A	QUALITY SYMBOLS ▽=0 ▽=0	GENERAL TOLERANCES (UNLESS SPECIFIED)	DIMENSION STYLE MM ONLY	SCALE 2:1	DESIGN UNITS METRIC	THIRD ANGLE PROJECTION	
		4 PLACES	± ---	± ---	DRAWN BY DSHEA	DATE 2013/02/19	TITLE B30 SERIES BASE	
		3 PLACES	± ---	± ---	CHECKED BY SMCGREEVY	DATE 2013/02/20		
		2 PLACES	± 0.10	± ---	APPROVED BY STGRIFFIN	DATE 2013/02/28		
1 PLACE	± 0.20	± ---	MATERIAL NO.	DOCUMENT NO. SD-121012-112		SHEET NO. 1 OF 1		
0 PLACE	± ---	± ---	ANGULAR ± 2 °	SEE TABLE		THIS DRAWING CONTAINS INFORMATION THAT IS PROPRIETARY TO MOLEX INCORPORATED AND SHOULD NOT BE USED WITHOUT WRITTEN PERMISSION		
DRAFT WHERE APPLICABLE MUST REMAIN WITHIN DIMENSIONS			SIZE A3					