



Chipsmall Limited consists of a professional team with an average of over 10 year of expertise in the distribution of electronic components. Based in Hongkong, we have already established firm and mutual-benefit business relationships with customers from,Europe,America and south Asia,supplying obsolete and hard-to-find components to meet their specific needs.

With the principle of “Quality Parts,Customers Priority,Honest Operation,and Considerate Service”,our business mainly focus on the distribution of electronic components. Line cards we deal with include Microchip,ALPS,ROHM,Xilinx,Pulse,ON,Everlight and Freescale. Main products comprise IC,Modules,Potentiometer,IC Socket,Relay,Connector.Our parts cover such applications as commercial,industrial, and automotives areas.

We are looking forward to setting up business relationship with you and hope to provide you with the best service and solution. Let us make a better world for our industry!



## Contact us

Tel: +86-755-8981 8866 Fax: +86-755-8427 6832

Email & Skype: info@chipsmall.com Web: www.chipsmall.com

Address: A1208, Overseas Decoration Building, #122 Zhenhua RD., Futian, Shenzhen, China



B313M27N0\*\*

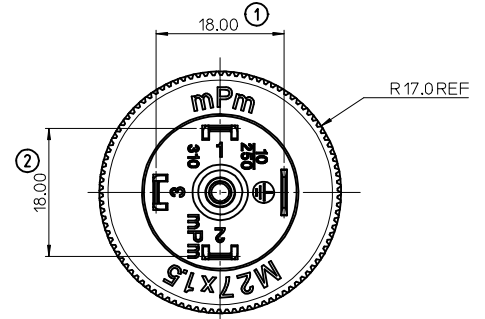
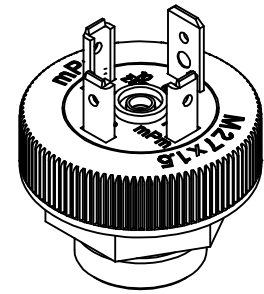
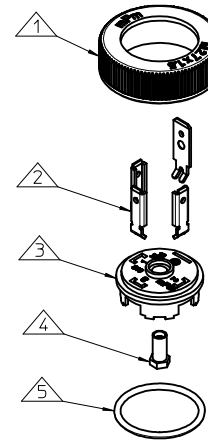
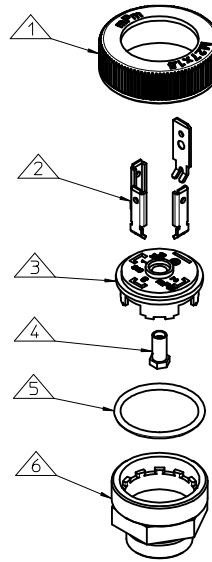
SERIES \_\_\_\_\_  
 B31= FORM A  
 POLES \_\_\_\_\_  
 2= 2 POLE & 3= 3 POLE  
 THREAD FIXING SIZE \_\_\_\_\_  
 P09= PG9 THREAD, P11= PG11 THREAD, P14= PG13.5 THREAD  
 M27= M27x1.5 THREAD LOCK RING WITHOUT COVER HOUSING  
 MATERIAL AND HOUSING COLOUR \_\_\_\_\_  
 G= PA6 GRAY, N= PA6 BLACK, W= PA6 BLACK V0, T= TRANSPARENT  
 SCREW AND GASKET \_\_\_\_\_  
 0= NO SCREW, NO GASKET  
 NON STANDARD COMPONENTS \_\_\_\_\_

NOTES  
 1. PLEASE SEE TABLE FOR CURRENTLY CONFIGURED PART NUMBERS.  
 FOR SPECIFIC PART NUMBERS PLEASE CONTACT SALES OR CONSULT  
 THE INTELLIGENT PART NUMBERS IN THE TABLE ATTACHED.  
 3. FOR PACKAGING SEE PACKAGING SPEC PK-121013-B31  
 4. PRODUCT SPEC: SEE PS-121201-001  
 4. TERMINALS BENT AFTER INSERTION FOR BEND ANGLE SEE TABLE

LAST INSPECTION NUMBER 2

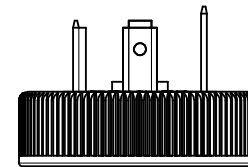
VERSION A

VERSION B

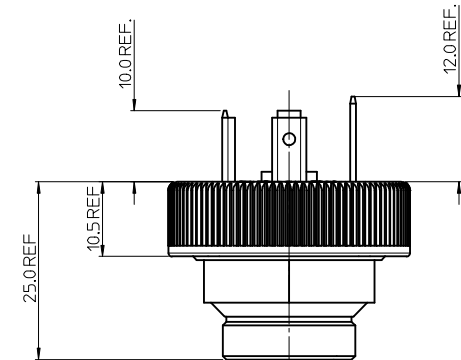


ITEM	DESCRIPTION
1	LOCK RING
2	TERMINALS
3	BASE HOUSING
4	INSERT
5	GASKET
6	COVER HOUSING

PART No.	mPm PART No.	DESCRIPTION	TERMINAL BEND ANGLE (°)	VERSION
1210120116	B312M27N0	TYPE A 2P BLACK, M27 THREAD	45	B
1210120117	B312P09N0	TYPE A 2P BLACK, PG9 THREAD	45	A
1210120118	B312P11N0	TYPE A 2P BLACK, PG11 THREAD	45	A
1210120119	B312P14N0	TYPE A 2P BLACK, PG13.5 THREAD	45	A
1210120120	B313M27N0	TYPE A 3P BLACK, M27 THREAD	45	B
1210120121	B313P09N0	TYPE A 3P BLACK, PG9 THREAD	45	A
1210120122	B313P11N0	TYPE A 3P BLACK, PG11 THREAD	45	A
1210120123	B313P14N0	TYPE A 3P BLACK, PG13.5 THREAD	45	A
1210120135	B313P11W0SA	TYPE A 3P BLACK, PG11 THREAD CRUUS LOGO	45	A



VERSION B (M27 LOCK RING)



VERSION A (PG9, PG11 OR PG13.5 THREAD)

<b>ADD PART NUMBER</b> EC NO: IFC2016-1460 DRWN:BCAFFREY 2016/04/28 CHKD:DSHEA 2016/05/04 APPR:STGRIFIN 2016/05/18 D	DESCRIPTION REV	QUALITY SYMBOLS ▽=0 ▽=0	GENERAL TOLERANCES (UNLESS SPECIFIED) <table border="1"> <thead> <tr> <th></th> <th>mm</th> <th>INCH</th> </tr> </thead> <tbody> <tr> <td>4 PLACES</td> <td>± ---</td> <td>± ---</td> </tr> <tr> <td>3 PLACES</td> <td>± ---</td> <td>± ---</td> </tr> <tr> <td>2 PLACES</td> <td>± 0.1</td> <td>± ---</td> </tr> <tr> <td>1 PLACE</td> <td>± 0.2</td> <td>± ---</td> </tr> <tr> <td colspan="3">ANGULAR ± ---°</td> </tr> </tbody> </table>		mm	INCH	4 PLACES	± ---	± ---	3 PLACES	± ---	± ---	2 PLACES	± 0.1	± ---	1 PLACE	± 0.2	± ---	ANGULAR ± ---°			DIMENSION STYLE <b>MM ONLY</b>	SCALE <b>2:1</b>	DESIGN UNITS <b>METRIC</b>	THIRD ANGLE PROJECTION
			mm	INCH																					
		4 PLACES	± ---	± ---																					
		3 PLACES	± ---	± ---																					
2 PLACES	± 0.1	± ---																							
1 PLACE	± 0.2	± ---																							
ANGULAR ± ---°																									
DRAWN BY JOCONNOR	DATE 2011/06/27	TITLE <b>B31 SERIES BASE</b>																							
CHECKED BY DMAHER	DATE 2011/06/27	<b>MOLEX INCORPORATED</b>																							
APPROVED BY EFOLAN	DATE 2011/07/21	MATERIAL NO. <b>SEE CHART</b>	DOCUMENT NO. <b>SD-121012-008</b>	SHEET NO. <b>1 OF 1</b>																					

DRAFT WHERE APPLICABLE  
 MUST REMAIN  
 WITHIN DIMENSIONS

THIS DRAWING CONTAINS INFORMATION THAT IS PROPRIETARY TO MOLEX INCORPORATED AND SHOULD NOT BE USED WITHOUT WRITTEN PERMISSION