



Chipsmall Limited consists of a professional team with an average of over 10 year of expertise in the distribution of electronic components. Based in Hongkong, we have already established firm and mutual-benefit business relationships with customers from,Europe,America and south Asia,supplying obsolete and hard-to-find components to meet their specific needs.

With the principle of “Quality Parts,Customers Priority,Honest Operation,and Considerate Service”,our business mainly focus on the distribution of electronic components. Line cards we deal with include Microchip,ALPS,ROHM,Xilinx,Pulse,ON,Everlight and Freescale. Main products comprise IC,Modules,Potentiometer,IC Socket,Relay,Connector.Our parts cover such applications as commercial,industrial, and automotives areas.

We are looking forward to setting up business relationship with you and hope to provide you with the best service and solution. Let us make a better world for our industry!



## Contact us

Tel: +86-755-8981 8866 Fax: +86-755-8427 6832

Email & Skype: info@chipsmall.com Web: www.chipsmall.com

Address: A1208, Overseas Decoration Building, #122 Zhenhua RD., Futian, Shenzhen, China



# B143000N2\*\*

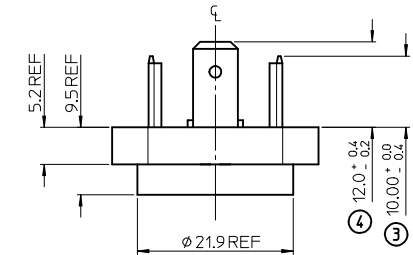
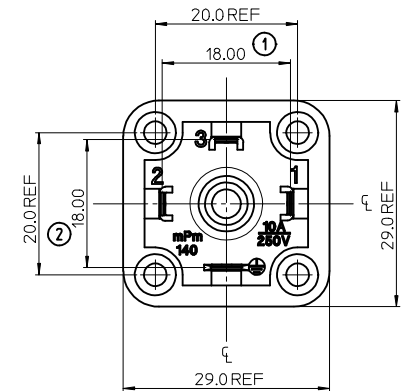
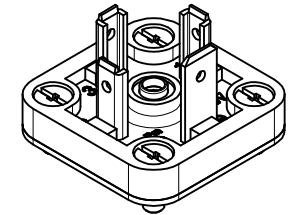
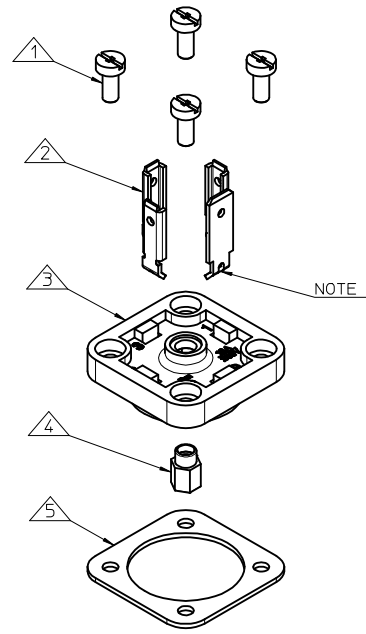
SERIES \_\_\_\_\_  
 B14= FORM A  
 POLES \_\_\_\_\_  
 2= 2 POLE & 3= 3 POLE  
 CURVED BASE DIAMETER \_\_\_\_\_  
 000= FLAT  
 MATERIAL AND HOUSING COLOUR \_\_\_\_\_  
 N= PA6 BLACK, W= PA6 BLACK V0

SCREW AND GASKET \_\_\_\_\_  
 2= NBR FLAT GASKET & SCREWS  
 4= SILICON FLAT GASKET & SCREWS  
 0= NO SCREWS OR GASKET  
 NON STANDARD COMPONENTS \_\_\_\_\_  
 01= B300 TERMINALS AND STANDARD EARTH  
 SA= UL LISTED

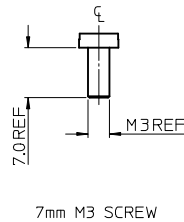
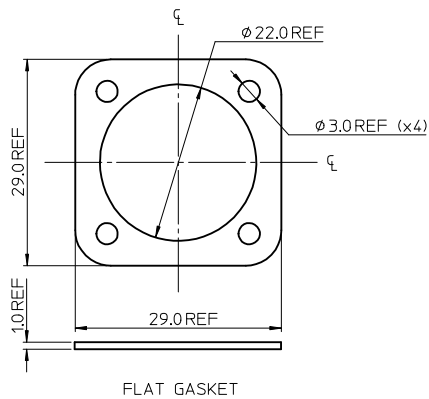
NOTES  
 1. PLEASE SEE TABLE FOR CURRENTLY CONFIGURED PART NUMBERS.  
 FOR SPECIFIC PART NUMBERS PLEASE CONTACT SALES OR CONSULT  
 THE INTELLIGENT PART NUMBERS IN THE TABLE ATTACHED.  
 2. FOR PACKAGING SEE PACKAGING SPEC PK-121013-B14  
 3. PRODUCT SPEC: SEE PS-121201-001  
 4. TERMINALS BENT AFTER INSERTION, FOR BEND ANGLE SEE TABLE

LAST INSPECTION NUMBER 4

ITEM	DESCRIPTION
1	SCREWS
2	TERMINALS
3	HOUSING
4	INSERT
5	GASKET



PART NO	MPM NO	DESCRIPTION	TERMINAL BEND ANGLE (°)
1210120006	B142000N2	TYPE A 2P BLACK NBR, FLAT GASKET & SCREWS	45
1210120007	B143000N2	TYPE A 3P BLACK NBR, FLAT GASKET & SCREWS	45
1210120160	B143000W2	TYPE A 3P BLACK V0, NBR FLAT GASKET & SCREWS	45
1210130022	B142000N001	TYPE A 2P BLACK NO GASKET, NO SCREW WITH B300 TERMINALS AND STANDARD EARTH	45
1210120173	B142000W2SA	TYPE A 2P BLACK V0 UL LISTED, NBR FLAT GASKET & SCREWS	45
1210120162	B143000W2SA	TYPE A 3P BLACK V0 UL LISTED, NBR FLAT GASKET & SCREWS	45



ADDED P/NS EC NO: IFC2014-0532 DRW:KORNOYLE 2013/09/23 CHKD:DSHEA 2013-10-23 APPR:STIGRIFIN 2013/11/11	QUALITY SYMBOLS ▽=0 ▽=0	GENERAL TOLERANCES (UNLESS SPECIFIED)		DIMENSION STYLE <b>MM ONLY</b>	SCALE <b>2:1</b>	DESIGN UNITS <b>METRIC</b>	THIRD ANGLE PROJECTION
		4 PLACES ± --- ± --- 3 PLACES ± --- ± --- 2 PLACES ± 0.1 ± --- 1 PLACE ± 0.2 ± --- ANGULAR ± ---°	mm INCH ± --- ± --- ± 0.1 ± --- ± 0.2 ± ---	DRAWN BY DSHEA CHECKED BY DMAHER APPROVED BY EFOLAN	DATE 2011/06/09 DATE 2011/06/11 DATE 2011/06/30	TITLE <b>B14 SERIES BASE</b>	
DRAFT WHERE APPLICABLE MUST REMAIN WITHIN DIMENSIONS		SEE TABLE		MATERIAL NO. EFOLAN		MOLEX INCORPORATED DOCUMENT NO. SD-121012-001	
		SIZE A 2		THIS DRAWING CONTAINS INFORMATION THAT IS PROPRIETARY TO MOLEX INCORPORATED AND SHOULD NOT BE USED WITHOUT WRITTEN PERMISSION			
				SHEET NO. 1 OF 1			