



Chipsmall Limited consists of a professional team with an average of over 10 year of expertise in the distribution of electronic components. Based in Hongkong, we have already established firm and mutual-benefit business relationships with customers from,Europe,America and south Asia,supplying obsolete and hard-to-find components to meet their specific needs.

With the principle of “Quality Parts,Customers Priority,Honest Operation,and Considerate Service”,our business mainly focus on the distribution of electronic components. Line cards we deal with include Microchip,ALPS,ROHM,Xilinx,Pulse,ON,Everlight and Freescale. Main products comprise IC,Modules,Potentiometer,IC Socket,Relay,Connector.Our parts cover such applications as commercial,industrial, and automotives areas.

We are looking forward to setting up business relationship with you and hope to provide you with the best service and solution. Let us make a better world for our industry!



Contact us

Tel: +86-755-8981 8866 Fax: +86-755-8427 6832

Email & Skype: info@chipsmall.com Web: www.chipsmall.com

Address: A1208, Overseas Decoration Building, #122 Zhenhua RD., Futian, Shenzhen, China



B283000N2

SERIES
 B28= FORM A
 POLES
 2= 2 POLE & 3= 3 POLE
 CURVED BASE DIAMETER
 000= FLAT
 MATERIAL AND HOUSING COLOUR
 N= PA6 BLACK, W= PA6 BLACK V0, G= PA6 GRAY

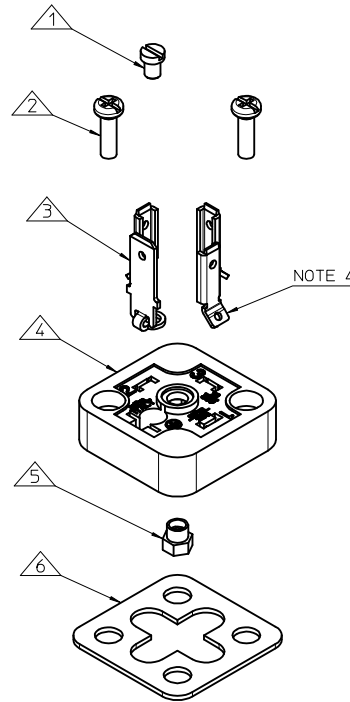
SCREW AND GASKET
 1= NBR PROFILE GASKET & SCREWS
 2= NBR FLAT GASKET & SCREWS
 4= SILICON FLAT GASKET & SCREWS
 6= NBR FLAT GASKET & NO FIXING SCREWS
 G= SCREWS & NO GASKET

NOTES

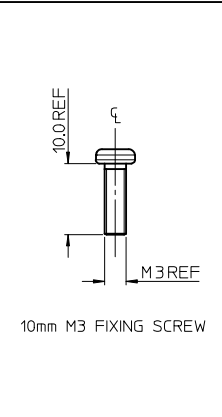
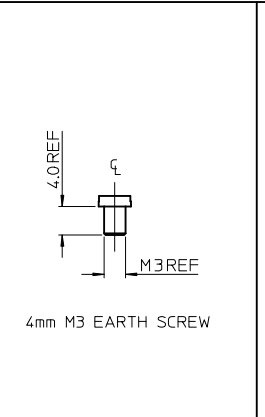
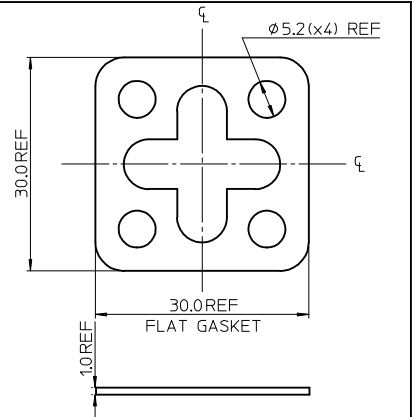
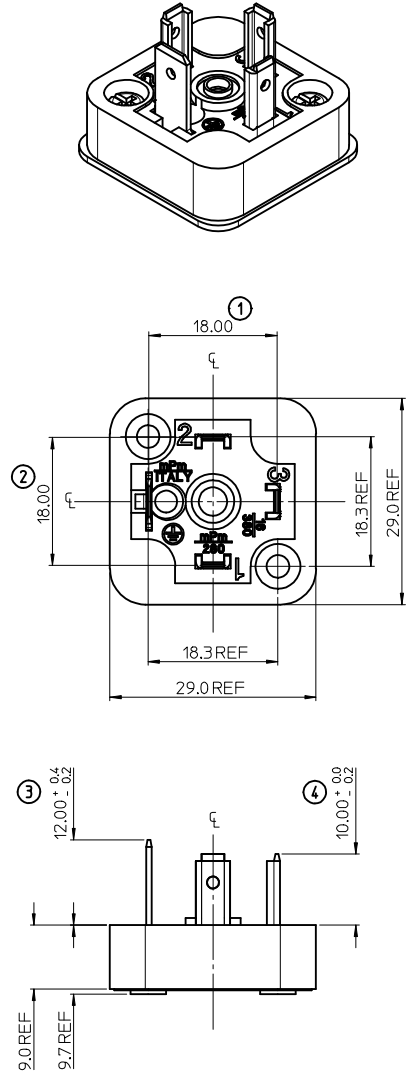
- PLEASE SEE TABLE FOR CURRENTLY CONFIGURED PART NUMBERS. FOR SPECIFIC PART NUMBERS PLEASE CONTACT SALES OR CONSULT THE INTELLIGENT PART NUMBERS IN THE TABLE ATTACHED.
- FOR PACKAGING SEE PACKAGING SPEC PK-121012-B28
- PRODUCT SPEC: SEE PS-121201-001
- TERMINALS BENT AFTER INSERTION. SEE TABLE FOR TERMINAL BEND ANGLE

LAST INSPECTION NUMBER 4

PART NO	MPM NO	DESCRIPTION	TERMINAL BEND ANGLE
1210120091	B282000G2	TYPE A 2P GRAY, NBR FLAT GASKET & SCREWS	45
1210120093	B282000N1	TYPE A 2P BLACK, NBR PROFILE GASKET & SCREWS	45
1210120095	B282000N2	TYPE A 2P BLACK, NBR FLAT GASKET & SCREWS	45
1210120096	B282000N4	TYPE A 2P BLACK, SILICON FLAT GASKET & SCREWS	45
1210120097	B282000W2	TYPE A 2P BLACK V0, NBR FLAT GASKET & SCREWS	45
1210120099	B283000N2	TYPE A 3P BLACK, NBR FLAT GASKET & SCREWS	45
1210120100	B283000N4	TYPE A 3P BLACK, SILICON FLAT GASKET & SCREWS	45
1210120101	B283000N6	TYPE A 3P BLACK, NBR FLAT GASKET & NO FIXING SCREWS	45
1210120146	B283000NG	TYPE A 3P BLACK, SCREWS, NO GASKET	45
1210130199	B282000W2SA	TYPE A 2P BLACK, NBR FLAT GASKET & SCREWS, UL LISTED	45
1210130233	B283000W2SA	TYPE A 3P BLACK, NBR FLAT GASKET & SCREWS, UL LISTED	45



ITEM	DESCRIPTION
1	EARTH SCREW
2	FIXING SCREWS
3	TERMINALS
4	HOUSING
5	INSERT
6	GASKET



TOLERANCE UPDATE EC NO: IFC2014-0532 DRW:KORNOYLE 2013/09/30 CHKD:DSHEA 2013-10-23 APPR:STGERFFIN 2013/11/11	QUALITY SYMBOLS ▽=0 ▽=0	GENERAL TOLERANCES (UNLESS SPECIFIED) <table border="1"> <thead> <tr> <th></th> <th>mm</th> <th>INCH</th> </tr> </thead> <tbody> <tr> <td>4 PLACES</td> <td>± ---</td> <td>± ---</td> </tr> <tr> <td>3 PLACES</td> <td>± ---</td> <td>± ---</td> </tr> <tr> <td>2 PLACES</td> <td>± 0.10</td> <td>± ---</td> </tr> <tr> <td>1 PLACE</td> <td>± 0.2</td> <td>± ---</td> </tr> </tbody> </table> ANGULAR ± ---°		mm	INCH	4 PLACES	± ---	± ---	3 PLACES	± ---	± ---	2 PLACES	± 0.10	± ---	1 PLACE	± 0.2	± ---	DIMENSION STYLE MM ONLY	SCALE 2:1	DESIGN UNITS METRIC	THIRD ANGLE PROJECTION
		mm	INCH																		
4 PLACES	± ---	± ---																			
3 PLACES	± ---	± ---																			
2 PLACES	± 0.10	± ---																			
1 PLACE	± 0.2	± ---																			
DRAWN BY DSHEA 2011/06/10 CHECKED BY DMAHER 2011/06/11 APPROVED BY EFOLAN 2011/06/30	TITLE B28 SERIES BASES		MATERIAL NO. SEE TABLE		DOCUMENT NO. SD-121012-003	SHEET NO. 1 OF 1															