



Chipsmall Limited consists of a professional team with an average of over 10 year of expertise in the distribution of electronic components. Based in Hongkong, we have already established firm and mutual-benefit business relationships with customers from,Europe,America and south Asia,supplying obsolete and hard-to-find components to meet their specific needs.

With the principle of “Quality Parts,Customers Priority,Honest Operation,and Considerate Service”,our business mainly focus on the distribution of electronic components. Line cards we deal with include Microchip,ALPS,ROHM,Xilinx,Pulse,ON,Everlight and Freescale. Main products comprise IC,Modules,Potentiometer,IC Socket,Relay,Connector.Our parts cover such applications as commercial,industrial, and automotives areas.

We are looking forward to setting up business relationship with you and hope to provide you with the best service and solution. Let us make a better world for our industry!



## Contact us

Tel: +86-755-8981 8866 Fax: +86-755-8427 6832

Email & Skype: info@chipsmall.com Web: www.chipsmall.com

Address: A1208, Overseas Decoration Building, #122 Zhenhua RD., Futian, Shenzhen, China



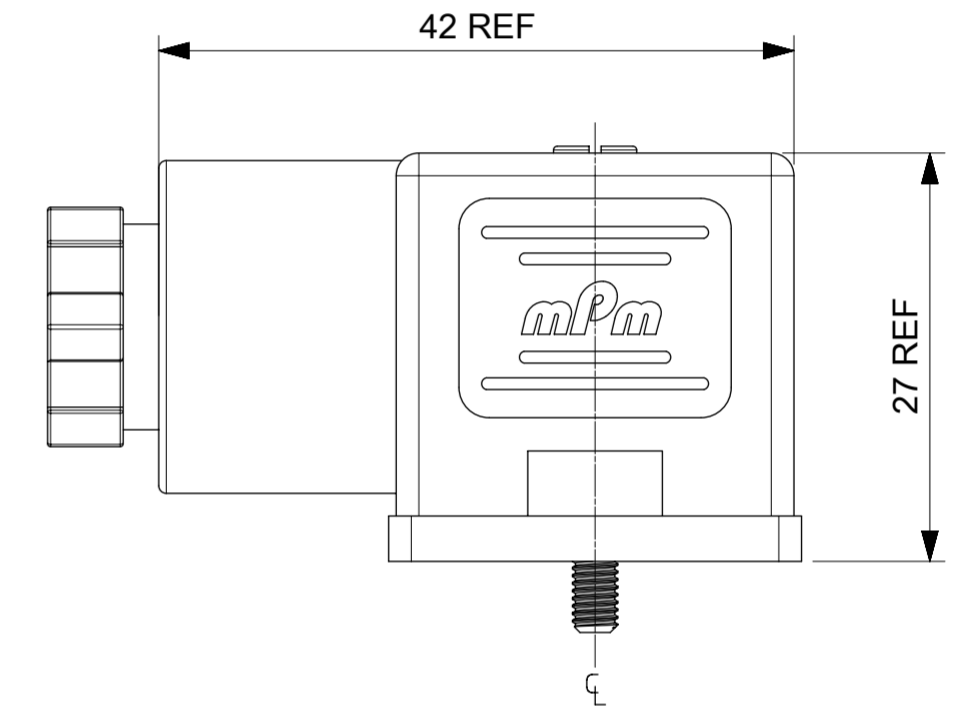
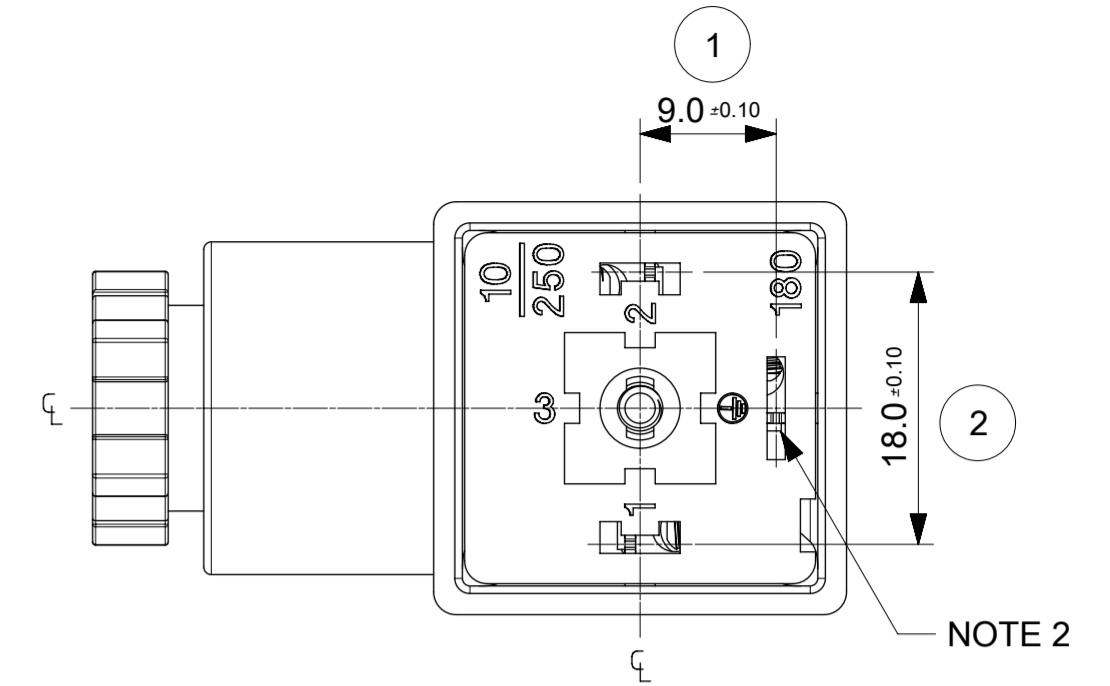
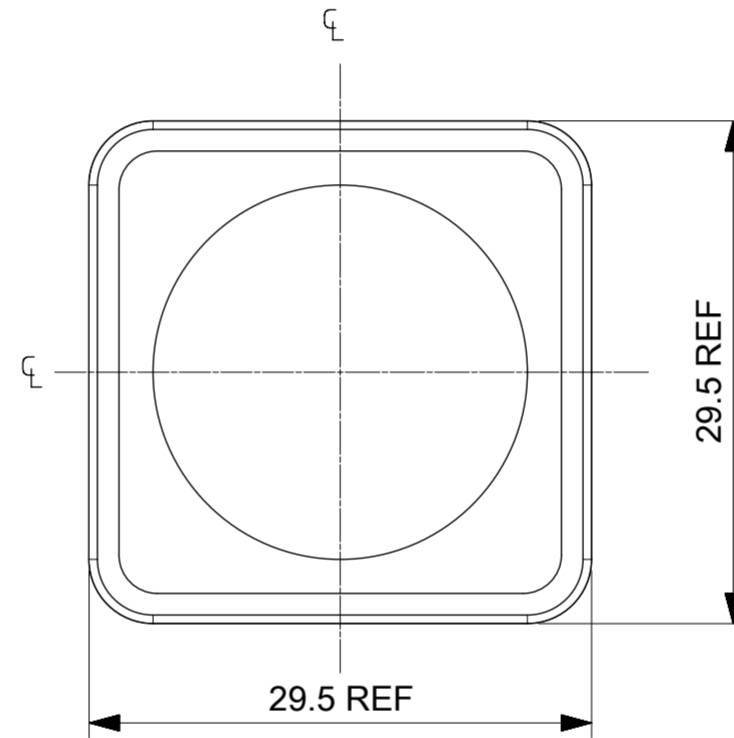
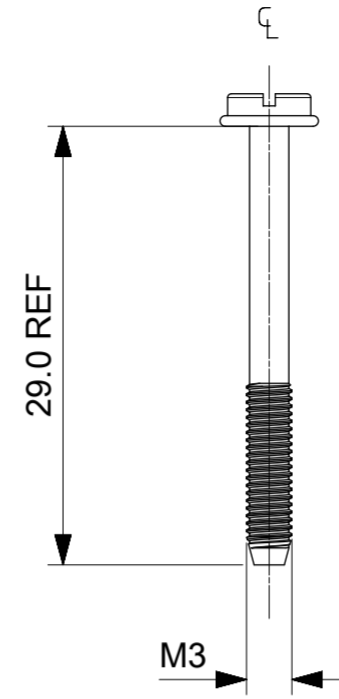
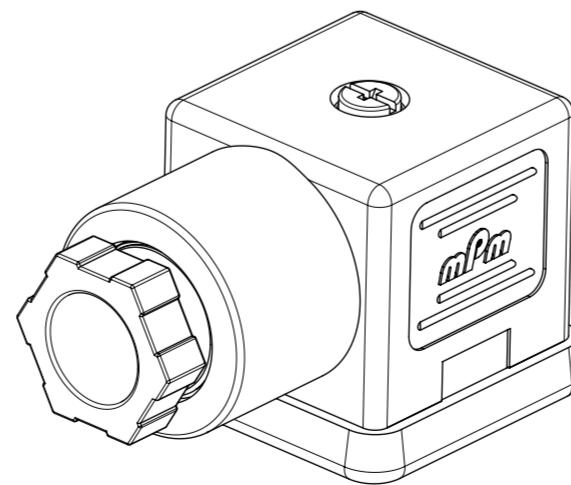
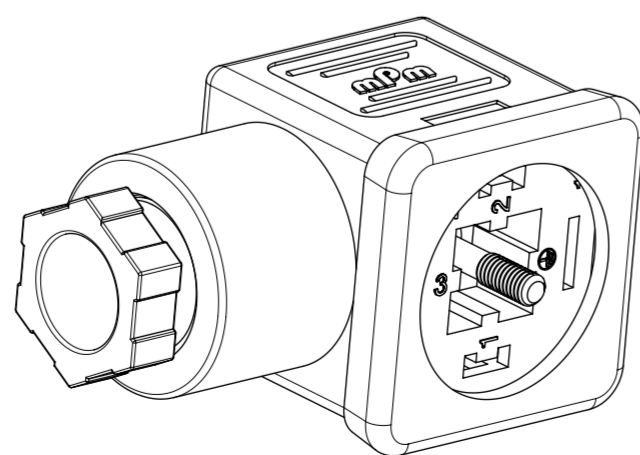
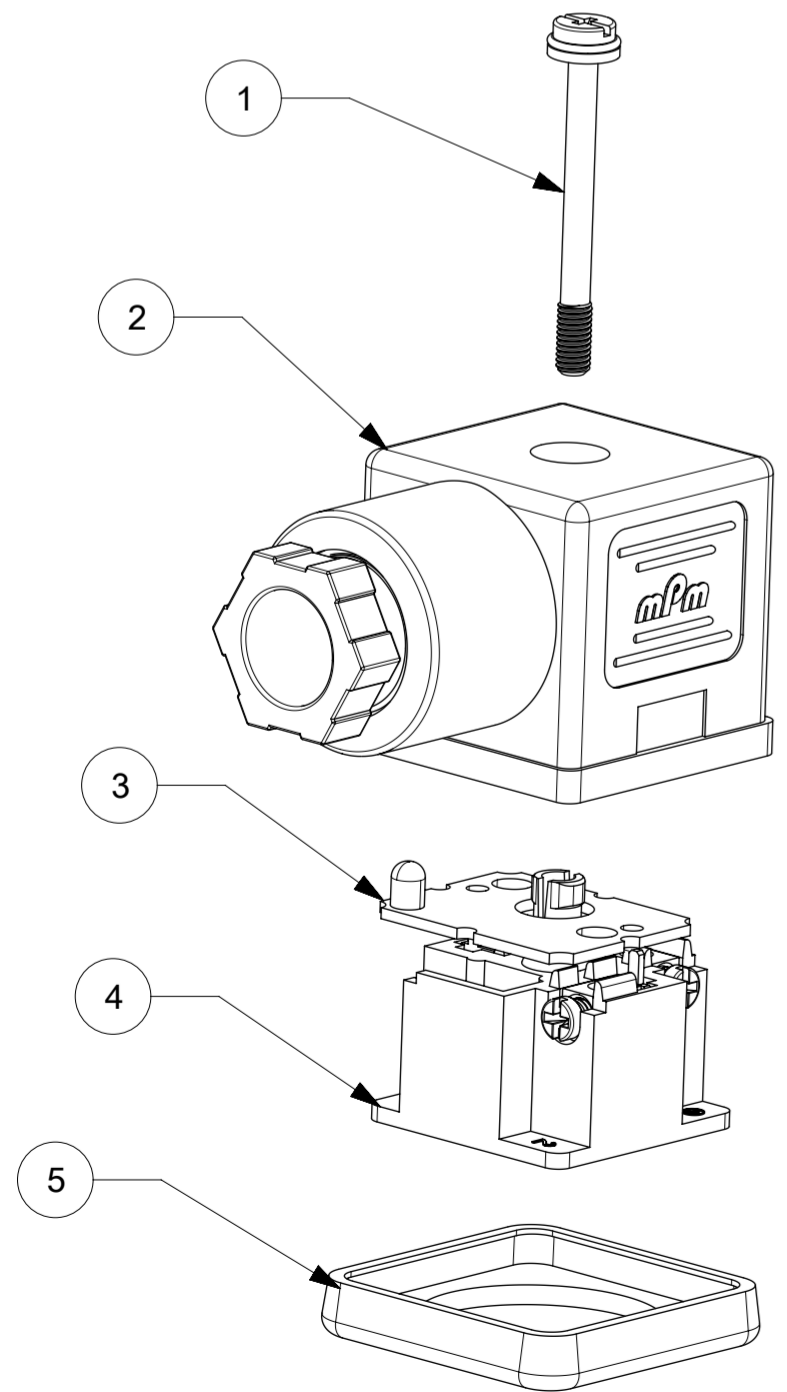
# S18 3 09 T A1 2 2 \*\*

SERIES \_\_\_\_\_  
 S18= INTERNAL THREAD FORM A  
 POLES \_\_\_\_\_  
 2= 2 POLE & 3= 3 POLE  
 THREAD \_\_\_\_\_  
 09= PG9, 11= PG11, M6=M16x1.5, M0= M20x1.5, 12= 1/2" GAS 13= 1/2" NPTF  
 MATERIAL AND HOUSING COLOUR \_\_\_\_\_  
 G= PA6 GRAY, N= PA6 BLACK, W= PA6 BLACK V0, T= PA12 TRANSPARENT,  
 B= PA6 WHITE  
 CIRCUIT \_\_\_\_\_  
 SEE DETAILS IN CATALOGUE  
 VOLTAGE \_\_\_\_\_  
 SEE DETAILS IN CATALOGUE  
 SCREW AND GASKET \_\_\_\_\_

1= NBR PROFILE GASKET & SCREW  
 2= NBR FLAT GASKET & SCREW  
 3= WHITE SILICON PROFILE GASKET & SCREW  
 4= WHITE SILICON FLAT GASKET & SCREW  
 A= NBR PROFILE GASKET & SCREW +2mm  
 B= NBR FLAT GASKET & SCREW +2mm  
 P= SCREW WITH GROMMET (IP67) &  
 NBR INTEGRATED GASKET ASSEMBLED

NON STANDARD COMPONENTS  
 14= PACKED IN NEUTRAL BAG  
 23= FULLY MOUNTED  
 54= WITH PIN 3 AS EARTH  
 65= SPECIAL GROMMET  
 67= NEUTRAL PACKAGING  
 84= TAMPO PRINTING ON DIODE  
 3F= 24DC W/O TAMPO PRINTING  
 5J= BOXES OF 100  
 5N= PACKED IN BOXES OF 200  
 6U= GI BY500-800 DIODE  
 AF= CENTRE SCREW MOUNTED  
 AG= DIODE IN4948  
 P7= IP67 COMPLIANT  
 SA= UL LISTED PART  
 CZ= GROMMET 4 DISCRETE WIRES

ITEM	DESCRIPTION
1	SCREW
2	COVER ASSEMBLY
3	PCB
4	INSERT ASSEMBLY
5	GASKET



### NOTES

- PLEASE SEE EXCEL SHEET 1210640002\_PDP FOR CURRENTLY CONFIGURED PART NUMBERS.  
 FOR SPECIFIC PART NUMBERS PLEASE CONTACT SALES OR CONSULT THE INTELLIGENT PART NUMBER ON THE TOP LEFT OF THIS PAGE.
- EARTH POSITION SHOWN, H12.
- FOR PACKAGING SEE PACKAGING SPEC PK-121064-S18
- PRODUCT SPEC: SEE PS-121201-001

LAST INSPECTION NUMBER 2

THIS DRAWING CONTAINS INFORMATION THAT IS PROPRIETARY TO MOLEX ELECTRONIC TECHNOLOGIES, LLC AND SHOULD NOT BE USED WITHOUT WRITTEN PERMISSION		GENERAL TOLERANCES (UNLESS SPECIFIED)		DIMENSION UNITS	SCALE	<b>molex</b> S18 SERIES INTERNAL THREAD					
2016/12/16		2016/12/22		MM	1.5:1						
EC NO: 108491 DRWN: TCLEARY CHKD: STGRIFFIN APPR: STGRIFFIN	4 PLACES	±		DRWN BY	DATE	PRODUCT CUSTOMER DRAWING					
	3 PLACES	±		BCAFFREY	2016/04/11						
	2 PLACES	±	0.1	CHK'D BY	DATE				SERIES MATERIAL NUMBER CUSTOMER		
	1 PLACE	±	0.2	TCLEARY	2016/12/16						
	0 PLACES	±		APPR BY	DATE				DOCUMENT NUMBER DOC TYPE DOC PART SHEET NUMBER		
DRAFT WHERE APPLICABLE MUST REMAIN WITHIN DIMENSIONS				STGRIFFIN	2016/04/12	SD-121064-002	PSD	000			
AE	REV			DRAWING SIZE	THIRD ANGLE PROJECTION						
				A2							

RELEASE STATUS	RELEASE DATE
13	12