



Chipsmall Limited consists of a professional team with an average of over 10 year of expertise in the distribution of electronic components. Based in Hongkong, we have already established firm and mutual-benefit business relationships with customers from,Europe,America and south Asia,supplying obsolete and hard-to-find components to meet their specific needs.

With the principle of “Quality Parts,Customers Priority,Honest Operation,and Considerate Service”,our business mainly focus on the distribution of electronic components. Line cards we deal with include Microchip,ALPS,ROHM,Xilinx,Pulse,ON,Everlight and Freescale. Main products comprise IC,Modules,Potentiometer,IC Socket,Relay,Connector.Our parts cover such applications as commercial,industrial, and automotives areas.

We are looking forward to setting up business relationship with you and hope to provide you with the best service and solution. Let us make a better world for our industry!



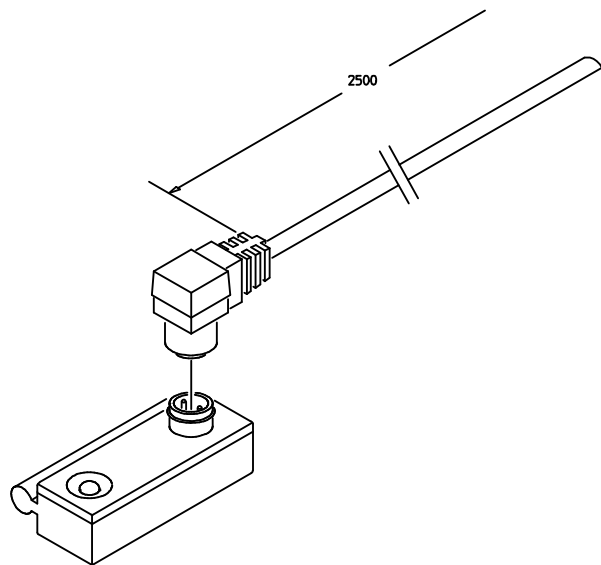
## Contact us

Tel: +86-755-8981 8866 Fax: +86-755-8427 6832

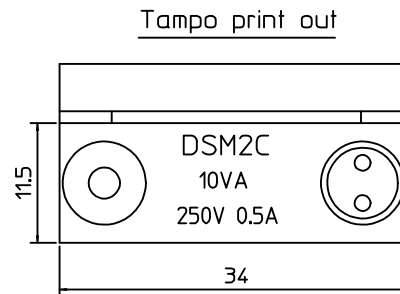
Email & Skype: info@chipsmall.com Web: www.chipsmall.com

Address: A1208, Overseas Decoration Building, #122 Zhenhua RD., Futian, Shenzhen, China

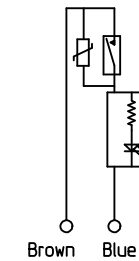




Sensor provided with M8 round connector 2.5m



ELECTRICAL DIAGRAM



Engineering No.: 1211500025

TECHNICAL FEATURES	
Tension in AC	3-230 Volt
Tension in DC	3-230 Volt
Power (inductive)	10 VA
On time	0.5 ms
Off time	0.1 mS
Electric life	10 <sup>7</sup> imp.

ORIGINAL RELEASE EC NO: IPG2016-0461 DRWN: JMARSZALEK 2013/11/28 CHKD: MSZWAJKOWSKI 2013/11/28 APPR: MIWASIECZKO 2015/09/28	DESCRIPTION A	QUALITY SYMBOLS	GENERAL TOLERANCES (UNLESS SPECIFIED)	DIMENSION STYLE MM ONLY	SCALE -	DESIGN UNITS METRIC	THIRD ANGLE PROJECTION																														
		▼=0 ▽=0	<table border="1"> <thead> <tr> <th></th> <th>mm</th> <th>INCH</th> </tr> </thead> <tbody> <tr> <td>4 PLACES</td> <td>± ---</td> <td>± ---</td> </tr> <tr> <td>3 PLACES</td> <td>± ---</td> <td>± ---</td> </tr> <tr> <td>2 PLACES</td> <td>± ---</td> <td>± ---</td> </tr> <tr> <td>1 PLACE</td> <td>± ---</td> <td>± ---</td> </tr> <tr> <td>0 PLACE</td> <td>± ---</td> <td>± ---</td> </tr> </tbody> </table>		mm	INCH	4 PLACES	± ---	± ---	3 PLACES	± ---	± ---	2 PLACES	± ---	± ---	1 PLACE	± ---	± ---	0 PLACE	± ---	± ---	<table border="1"> <thead> <tr> <th>DRAWN BY</th> <th>DATE</th> </tr> </thead> <tbody> <tr> <td>JMARSZALEK</td> <td>2013/11/28</td> </tr> <tr> <th>CHECKED BY</th> <th>DATE</th> </tr> <tr> <td>MSZWAJKOWSKI</td> <td>2013/11/28</td> </tr> <tr> <th>APPROVED BY</th> <th>DATE</th> </tr> <tr> <td>MIWASIECZKO</td> <td>2015/09/28</td> </tr> </tbody> </table>	DRAWN BY	DATE	JMARSZALEK	2013/11/28	CHECKED BY	DATE	MSZWAJKOWSKI	2013/11/28	APPROVED BY	DATE	MIWASIECZKO	2015/09/28	TITLE REED SWITCH LED+VDR- 2.5M PLUG		
			mm	INCH																																	
		4 PLACES	± ---	± ---																																	
		3 PLACES	± ---	± ---																																	
2 PLACES	± ---	± ---																																			
1 PLACE	± ---	± ---																																			
0 PLACE	± ---	± ---																																			
DRAWN BY	DATE																																				
JMARSZALEK	2013/11/28																																				
CHECKED BY	DATE																																				
MSZWAJKOWSKI	2013/11/28																																				
APPROVED BY	DATE																																				
MIWASIECZKO	2015/09/28																																				
ANGULAR ±---°	MATERIAL NO. 1211500025	DOCUMENT NO. SD-121150-001	SHEET NO. 1 OF 1																																		
DRAFT WHERE APPLICABLE MUST REMAIN WITHIN DIMENSIONS	SIZE A4	THIS DRAWING CONTAINS INFORMATION THAT IS PROPRIETARY TO MOLEX INCORPORATED AND SHOULD NOT BE USED WITHOUT WRITTEN PERMISSION																																			