



Chipsmall Limited consists of a professional team with an average of over 10 year of expertise in the distribution of electronic components. Based in Hongkong, we have already established firm and mutual-benefit business relationships with customers from,Europe,America and south Asia,supplying obsolete and hard-to-find components to meet their specific needs.

With the principle of “Quality Parts,Customers Priority,Honest Operation,and Considerate Service”,our business mainly focus on the distribution of electronic components. Line cards we deal with include Microchip,ALPS,ROHM,Xilinx,Pulse,ON,Everlight and Freescale. Main products comprise IC,Modules,Potentiometer,IC Socket,Relay,Connector.Our parts cover such applications as commercial,industrial, and automotives areas.

We are looking forward to setting up business relationship with you and hope to provide you with the best service and solution. Let us make a better world for our industry!



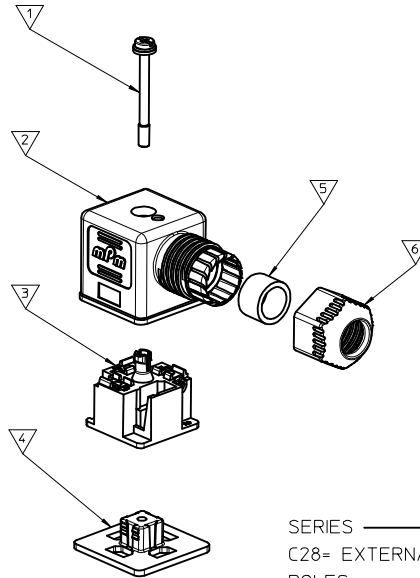
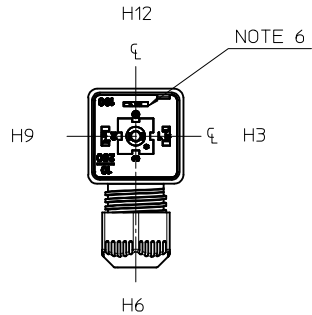
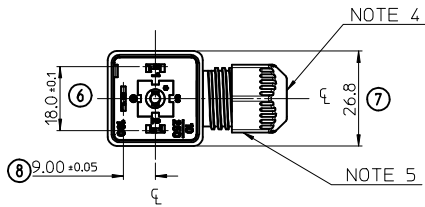
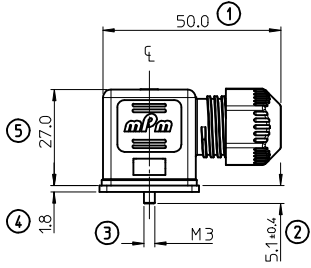
Contact us

Tel: +86-755-8981 8866 Fax: +86-755-8427 6832

Email & Skype: info@chipsmall.com Web: www.chipsmall.com

Address: A1208, Overseas Decoration Building, #122 Zhenhua RD., Futian, Shenzhen, China





ITEM	DESCRIPTION
1	SCREW
2	EXTERNAL THREAD COVER
3	INSERT
4	GASKET
5	GROMMET
6	EXTERNAL THREAD NUT

C28200NOR****

SERIES _____
 C28= EXTERNAL THREAD FORM A
 POLES _____
 2= 2 POLE & 3= 3 POLE
 THREAD _____
 00 = EXTERNAL THREAD
 MATERIAL AND HOUSING COLOR _____
 G= PA6 GRAY, N= PA6 BLACK, W= PA6 BLACK UL V0, T=TRANSPARENT
 GROUND POSITION _____
 0= UNMOUNTED, 2= H12, 3=H3, 6 =H6 & 9= H9
 SCREW AND GASKET _____
 R= INTEGRATED NBR GASKET AND IP67 SCREW
 S= INTEGRATED SILICONE GASKET AND IP67 SCREW
 T= PROFILE NBR GASKET AND IP67 SCREW
 NON STANDARD PACKAGING _____
 CN= BULK PACK UN-MOUNTED
 SN= BULK PACK MOUNTED
 67= NEUTRAL PACKAGING
 CF= BULK PACK FULLY MOUNTED
 ADDITIONAL CODES _____
 SA= UL AGENCY APPROVED

NOTES

- FOR SPECIFIC PART NUMBERS PLEASE CONTACT SALES OR CONSULT THE INTELLIGENT PART NUMBERS IN THE TABLE ATTACHED
- PRODUCT SPEC: SEE PS-121201-001
- PACKAGING SPEC: SEE PK-121201-001
- CABLE SIZES 4 - 9 mm DIAMETER
- TIGHTENING TORQUE: SEE PS-121201-001
- GROUND POSITION SHOWN H12

LAST INSPECTION NUMBER USED 8

ADDED PN EC NO: IFC2014-0826 DRWNSHEA 2013/11/05 CHKD:SMCGREYV 2013/11/05 APPR:STGRIFFIN 2013/11/18	QUALITY SYMBOLS ▽=0 ▽=0	GENERAL TOLERANCES (UNLESS SPECIFIED)		DIMENSION STYLE MM ONLY		SCALE 1:1	DESIGN UNITS METRIC	THIRD ANGLE PROJECTION
		4 PLACES ±--- ±--- 3 PLACES ±--- ±--- 2 PLACES ±0.1 ±--- 1 PLACE ±0.2 ±--- ANGULAR ±---°	mm INCH DRAWN BY DMAHER_WEU 2010/03/11 CHECKED BY E FOLAN APPROVED BY STGRIFFIN 2013/09/26 MATERIAL NO.	DATE 2010/03/11 DATE 2013/09/26	TITLE TYPE A ASSEMBLY SERIES 121201			MOLEX INCORPORATED
DRAFT WHERE APPLICABLE MUST REMAIN WITHIN DIMENSIONS		SEE TABLE		DOCUMENT NO. SD-121201-003			THIS DRAWING CONTAINS INFORMATION THAT IS PROPRIETARY TO MOLEX INCORPORATED AND SHOULD NOT BE USED WITHOUT WRITTEN PERMISSION	

PART NO.	mPm NO.	DESCRIPTION
1212010001	C28200N0R	TYPE A 2P BLACK, NBR GASKET
1212010002	C28300N0R	TYPE A 3P BLACK, NBR GASKET
1212010003	C28200N0RCN	TYPE A 2P BLACK, NBR GASKET
1212010004	C28300N0RCN	TYPE A 3P BLACK, NBR GASKET
1212010005	C28200G0R	TYPE A 2P GRAY, NBR GASKET
1212010006	C28200N0R67	TYPE A 2P BLACK, NBR NEUTRAL PACK
1212010007	C28300N0R67	TYPE A 3P BLACK, NBR NEUTRAL PACK
1212010008	C28200N0SCN	TYPE A 2P BLACK, SILICONE GASKET BULK
1212010011	C28200G0S	TYPE A 2P GRAY, SILICONE GASKET
1212010012	C28200T0R	TYPE A 2P TRANSPARENT, NBR GASKET
1212010013	C28200T0S	TYPE A 2P TRANSPARENT, SILICONE GASKET
1212010015	C28300G0R	TYPE A 3P GRAY, NBR GASKET
1212010016	C28300G0S	TYPE A 3P GRAY, SILICONE GASKET
1212010017	C28300T0R	TYPE A 3P TRANSPARENT, NBR GASKET
1212010018	C28300T0S	TYPE A 3P TRANSPARENT, SILICONE GASKET
1212010019	C28200G0RCN	TYPE A 2P GRAY, NBR GASKET BULK
1212010029	C28200N0S	TYPE A 2P BLACK, SILICONE GASKET
1212010030	C28300N0S	TYPE A 3P BLACK, SILICONE GASKET
1212010031	C28200W0RSA	TYPE A 2P BLACK, UL V0, NBR GASKET
1212010032	C28300W0RSA	TYPE A 3P BLACK, UL V0, NBR GASKET
1212010033	C28200N2RCF	TYPE A 2P BLACK, NBR GASKET FULLY MOUNTED
1212010034	C28200N2RSN	TYPE A 2P BLACK, NBR GASKET BULK MOUNTED
1212010035	C28200W0RCNSA	TYPE A 2P BLACK, UL V0 NBR BULK UN-MOUNTED
1212010038	C28300N2RSN	TYPE A 3P BLACK, NBR GASKET BULK MOUNTED
1212010039	C28300W0SSA	TYPE A 3P BLACK, UL V0, SILICONE GASKET
1212010040	C28200W0SSA	TYPE A 2P BLACK, UL V0, SILICONE GASKET
1212010041	C28300W0SCNSA	TYPE A 3P BLACK, UL V0, SILICONE BULK UN-MOUNTED
1212010043	C28200T2RSN	TYPE A 2P TRANSPARENT, NBR GASKET BULK MOUNTED
1212010042	C28200N2SSN	TYPE A 2P BLACK, SILICONE GASKET BULK MOUNTED
1212010044	C28200W2RSNSA	TYPE A 2P BLACK, UL V0, NBR GASKET BULK MOUNTED
1212010046	C28300W2RSNSA	TYPE A 3P BLACK, UL V0, NBR GASKET BULK MOUNTED
1212010047	C28300N0SCN	TYPE A 3P BLACK, SILICONE GASKET BULK
1212010048	C28200G2RSN	TYPE A 2P GRAY, NBR GASKET BULK MOUNTED
1212010049	C28200N0T	TYPE A 2P BLACK, PROFILE NBR GASKET

SEE SHEET 1 EC NO: IPG2014-0826 DRWNG: JHEA 2013/11/05 CHKD: SMCREVEY 2013/11/05 APPR: STGRIFFIN 2013/11/18	DESCRIPTION REV	QUALITY SYMBOLS ▽=0 ▽=0	GENERAL TOLERANCES (UNLESS SPECIFIED) <table border="1"> <thead> <tr> <th></th> <th>mm</th> <th>INCH</th> </tr> </thead> <tbody> <tr><td>4 PLACES</td><td>± ---</td><td>± ---</td></tr> <tr><td>3 PLACES</td><td>± ---</td><td>± ---</td></tr> <tr><td>2 PLACES</td><td>± 0.1</td><td>± ---</td></tr> <tr><td>1 PLACE</td><td>± 0.2</td><td>± ---</td></tr> </tbody> </table> ANGULAR ± ---°		mm	INCH	4 PLACES	± ---	± ---	3 PLACES	± ---	± ---	2 PLACES	± 0.1	± ---	1 PLACE	± 0.2	± ---	DIMENSION STYLE MM ONLY DRAWN BY: DMAHER.WEU DATE: 2010/03/11 CHECKED BY: E.FOLAN DATE: _____ APPROVED BY: STGRIFFIN DATE: 2013/09/26 MATERIAL NO. _____	SCALE: 1:1 DESIGN UNITS: METRIC THIRD ANGLE PROJECTION	TITLE: TYPE A ASSEMBLY SERIES 121201
			mm	INCH																	
		4 PLACES	± ---	± ---																	
		3 PLACES	± ---	± ---																	
2 PLACES	± 0.1	± ---																			
1 PLACE	± 0.2	± ---																			
DRAFT WHERE APPLICABLE MUST REMAIN WITHIN DIMENSIONS	SEE TABLE	MOLEX INCORPORATED DOCUMENT NO. SD-121201-003	SHEET NO. 2 OF 2																		
THIS DRAWING CONTAINS INFORMATION THAT IS PROPRIETARY TO MOLEX INCORPORATED AND SHOULD NOT BE USED WITHOUT WRITTEN PERMISSION																					