



Chipsmall Limited consists of a professional team with an average of over 10 year of expertise in the distribution of electronic components. Based in Hongkong, we have already established firm and mutual-benefit business relationships with customers from,Europe,America and south Asia,supplying obsolete and hard-to-find components to meet their specific needs.

With the principle of “Quality Parts,Customers Priority,Honest Operation,and Considerate Service”,our business mainly focus on the distribution of electronic components. Line cards we deal with include Microchip,ALPS,ROHM,Xilinx,Pulse,ON,Everlight and Freescale. Main products comprise IC,Modules,Potentiometer,IC Socket,Relay,Connector.Our parts cover such applications as commercial,industrial, and automotives areas.

We are looking forward to setting up business relationship with you and hope to provide you with the best service and solution. Let us make a better world for our industry!



## Contact us

Tel: +86-755-8981 8866 Fax: +86-755-8427 6832

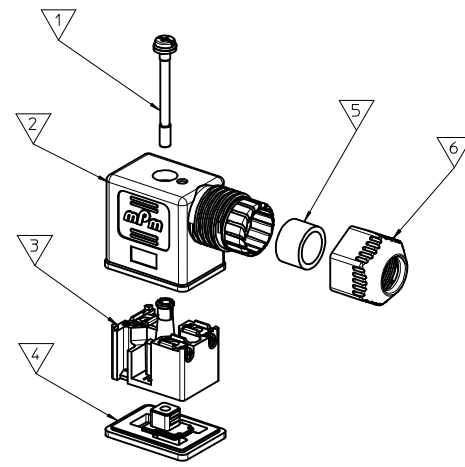
Email & Skype: info@chipsmall.com Web: www.chipsmall.com

Address: A1208, Overseas Decoration Building, #122 Zhenhua RD., Futian, Shenzhen, China



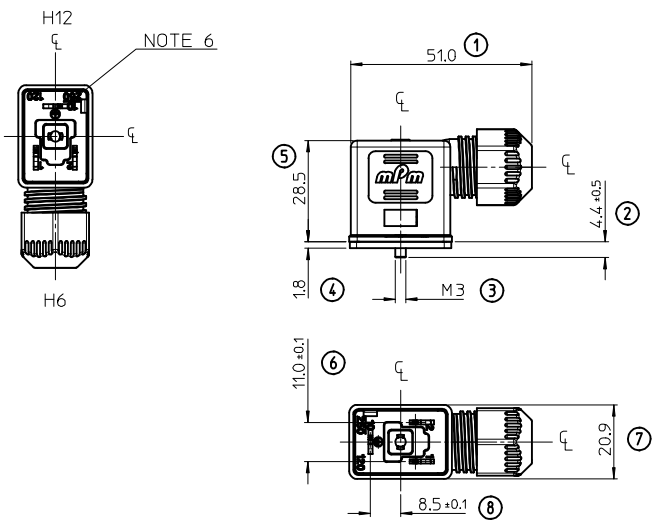
Part No	MPM Prt No	DESCRIPTION
1212020001	C22200N0R	TYPE B IND BLACK NBR GASKET
1212020002	C22200N0RCN	TYPE B IND BLACK NBR GASKET BULK
1212020003	C22200N0S	TYPE B IND BLACK SILICONE GASKET
1212020004	C22200G0R	TYPE B IND GRAY NBR GASKET
1212020005	C22200G0S	TYPE B IND GRAY SILICONE GASKET
1212020006	C22200T0R	TYPE B IND TRANSPARENT NBR GASKET
1212020007	C22200T0S	TYPE B IND TRANSPARENT SILICONE GASKET
1212020008	C22200T2RSN	TYPE B IND TRANSPARENT NBR GASKET H12 BULK MOUNTED
1212020010	C22200W0RCNSA	TYPE B IND BLACK UL V0 NBR GASKET BULK
1212020011	C22200W0RSA	TYPE B IND BLACK UL V0 NBR GASKET
1212020012	C22200N2RSN	TYPE B IND BLACK NBR GASKET H12 BULK MOUNTED
1212020013	C22200W0SSA	TYPE B IND BLACK UL V0 SILICONE GASKET
1212020014	C22200W0SCNSA	TYPE B IND BLACK UL V0 SILICONE GASKET BULK
1212020015	C22200N6RSN	TYPE B IND BLACK NBR GASKET H6 BULK MOUNTED
1212020016	C22200N2GSN	TYPE B IND BLACK NO GASKET H12 BULK MOUNTED
1212020017	C22200W2RSNSA	TYPE B IND BLACK UL V0 NBR GASKET BULK MOUNTED
1212020018	C22200N2GCF	TYPE B IND BLACK NO GASKET H12 BULK FULLY MOUNTED
1212020019	C22200N0SCN	TYPE B IND BLACK SILICONE GASKET BULK

ITEM	DESCRIPTION
1	31mm M3 SCREW WITH GASKET
2	TYPE B COVER
3	TYPE B IND INSERT
4	TYPE B GASKET
5	GROMMET
6	EXTERNAL NUT



C22200N0R\*\*\*

SERIES \_\_\_\_\_  
 C22= EXTERNAL THREAD FORM B INDUSTRIAL  
 POLES \_\_\_\_\_  
 2= 2 POLE  
 THREAD \_\_\_\_\_  
 00 = EXTERNAL THREAD  
 MATERIAL AND HOUSING COLOR \_\_\_\_\_  
 G= PA6 GRAY, N= PA6 BLACK, W= PA6 BLACK V0, T= TRANSPARENT  
 GROUND POSITION \_\_\_\_\_  
 0= UNMOUNTED, 2= H12 & 6 +H6  
 SCREW AND GASKET \_\_\_\_\_  
 R= INTEGRATED NBR GASKET AND IP67 SCREW  
 S= INTEGRATED SILICON GASKET AND IP67 SCREW  
 G= IP67 SCREW, NO GASKET  
 NON STANDARD PACKAGING \_\_\_\_\_  
 CN= BULK PACK UN-MOUNTED  
 SN= BULK PACK MOUNTED  
 67= NEUTRAL PACKAGING  
 CF= BULK PACK FULLY MOUNTED  
 ADDITIONAL CODES \_\_\_\_\_  
 SA= UL AGENCY APPROVAL



- NOTES:
- FOR SPECIFIC PART NUMBERS PLEASE CONTACT SALES OR CONSULT THE INTELLIGENT PART NUMBERS IN THE TABLE ATTACHED
  - PACKAGING SPECIFICATION: PLEASE SEE PK-121201-001
  - PRODUCT SPECIFICATION: PLEASE SEE PS-121201-001, WITH EXCEPTION.
  - CABLE SIZES 4 - 9 MM DIAMETER
  - TIGHTENING TORQUES: SEE PS-121201-001
  - GROUND POSITION SHOWN H12
- LAST INSPECTION NUMBER 8

<b>UPDATED NOTE 3.</b> EC NO: IFC2015-1871 DRWN:BCAFFREY 2015/04/27 CHKD: APPR:STGR/FFIN 2015/05/13 REV DESCRIPTION	QUALITY SYMBOLS ▽=0 ▽=0	GENERAL TOLERANCES (UNLESS SPECIFIED) <table border="1"> <thead> <tr> <th></th> <th>mm</th> <th>INCH</th> </tr> </thead> <tbody> <tr><td>4 PLACES</td><td>±---</td><td>±---</td></tr> <tr><td>3 PLACES</td><td>±---</td><td>±---</td></tr> <tr><td>2 PLACES</td><td>±0.10</td><td>±---</td></tr> <tr><td>1 PLACE</td><td>±0.20</td><td>±---</td></tr> </tbody> </table> ANGULAR ± 2°		mm	INCH	4 PLACES	±---	±---	3 PLACES	±---	±---	2 PLACES	±0.10	±---	1 PLACE	±0.20	±---	DIMENSION STYLE <b>MM ONLY</b>	SCALE <b>1:1</b>	DESIGN UNITS <b>METRIC</b>	EM-121202-002 THIRD ANGLE PROJECTION
		mm	INCH																		
	4 PLACES	±---	±---																		
	3 PLACES	±---	±---																		
2 PLACES	±0.10	±---																			
1 PLACE	±0.20	±---																			
DRAWN BY D MAHER 2009/3/24 CHECKED BY S MCGREEVY 2009/3/24 APPROVED BY EFOLAN 2010/10/18	DATE 2009/3/24 2009/3/24 2010/10/18	TITLE <b>EXTERNAL THREAD C22 SERIES 121202</b>	<b>MOLEX INCORPORATED</b>			SHEET NO. 1 OF 1															
MATERIAL NO. <b>SEE TABLE</b>	DOCUMENT NO. <b>SD-121202-001</b>	THIS DRAWING CONTAINS INFORMATION THAT IS PROPRIETARY TO MOLEX INCORPORATED AND SHOULD NOT BE USED WITHOUT WRITTEN PERMISSION																			
DRAFT WHERE APPLICABLE MUST REMAIN WITHIN DIMENSIONS																					