



Chipsmall Limited consists of a professional team with an average of over 10 year of expertise in the distribution of electronic components. Based in Hongkong, we have already established firm and mutual-benefit business relationships with customers from,Europe,America and south Asia,supplying obsolete and hard-to-find components to meet their specific needs.

With the principle of "Quality Parts,Customers Priority,Honest Operation,and Considerate Service",our business mainly focus on the distribution of electronic components. Line cards we deal with include Microchip,ALPS,ROHM,Xilinx,Pulse,ON,Everlight and Freescale. Main products comprise IC,Modules,Potentiometer,IC Socket,Relay,Connector.Our parts cover such applications as commercial,industrial, and automotives areas.

We are looking forward to setting up business relationship with you and hope to provide you with the best service and solution. Let us make a better world for our industry!



Contact us

Tel: +86-755-8981 8866 Fax: +86-755-8427 6832

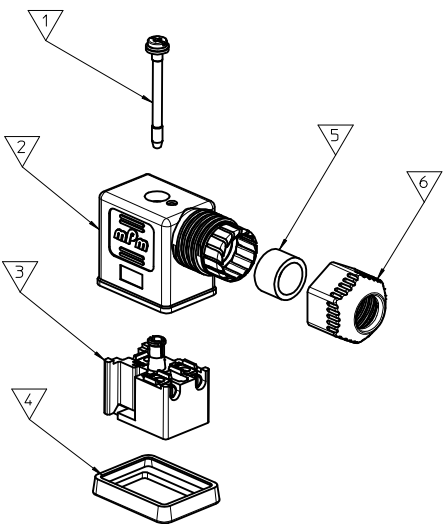
Email & Skype: info@chipsmall.com Web: www.chipsmall.com

Address: A1208, Overseas Decoration Building, #122 Zhenhua RD., Futian, Shenzhen, China

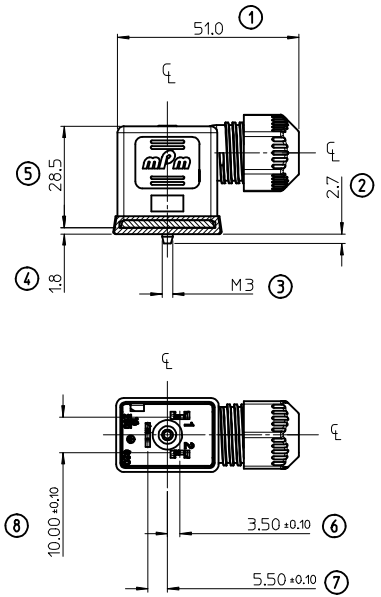
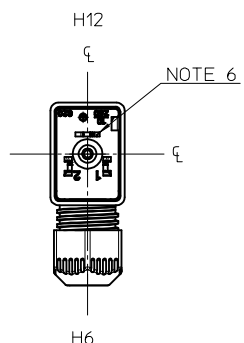


PART NO.	MPM NO.	DESCRIPTION
1212030001	C92200N0T	TYPE B ISO BLACK, NBR GASKET
1212030002	C92200N0U	TYPE B ISO BLACK, SILICONE GASKET
1212030003	C92200G0T	TYPE B ISO GRAY, NBR GASKET
1212030004	C92200G0U	TYPE B ISO GRAY, SILICONE GASKET
1212030005	C92200T0T	TYPE B ISO TRANSPARENT, NBR GASKET
1212030006	C92200T0U	TYPE B ISO TRANSPARENT, SILICONE GASKET
1212030007	C92200NOTCN	TYPE B ISO BLACK, NBR GASKET
1212030008	C92200W0TSA	TYPE B ISO BLACK UL V0, NBR GASKET
1212030009	C92200N2TSN	TYPE B ISO BLACK, NBR GASKET, H12, BULK
1212030010	C92200W0USA	TYPE B ISO BLACK UL V0, SILICONE GASKET
1212030011	C92200W0TCNSA	TYPE B ISO BLACK UL V0, NBR GASKET BULK
1212030012	C92200W0UCNSA	TYPE B ISO BLACK UL V0, SILICONE GASKET BULK
1212030013	C92200W2RSNSA	TYPE B ISO BLACK UL V0, NBR GASKET BULK MOUNTED

ITEM	DESCRIPTION
1	31mm M3 SCREW WITH GASKET
2	TYPE B COVER
3	TYPE B ISO INSERT
4	TYPE B GASKET
5	GROMMET
6	EXTERNAL NUT



C92200NOR***



SERIES _____
 C92= EXTERNAL THREAD FORM B ISO
 POLES _____
 2= 2 POLE
 THREAD _____
 00 = EXTERNAL THREAD
 MATERIAL AND HOUSING COLOR _____
 G= PA6 GRAY, N= PA6 BLACK, W= PA6 BLACK V0, T= TRANSPARENT
 GROUND POSITION _____
 0= UNMOUNTED, 2= H12 & 6 =H6
 SCREW AND GASKET _____
 T= NBR PROFILE GASKET AND IP67 SCREW
 U= SILICON PROFILE GASKET AND IP67 SCREW
 NON STANDARD PACKAGING _____
 CN= BULK PACK UN-MOUNTED
 SN= BULK PACK MOUNTED
 ADDITIONAL CODES _____
 SA= UL AGENCY APPROVAL

NOTES:

- FOR SPECIFIC PART NUMBERS PLEASE CONTACT SALES OR CONSULT THE INTELLIGENT PART NUMBERS IN THE TABLE ATTACHED
- PACKAGING SPECIFICATION: PLEASE SEE PK-121201-001
- PRODUCT SPECIFICATION: PLEASE SEE PS-121201-001
- CABLE SIZES 4 - 9 mm DIAMETER
- TIGHTENING TORQUES: SEE PS-121201-001
- GROUND POSITION SHOWN H12

LAST INSPECTION NUMBER 8

CORRECTED ERROR EC NO: IPG2013-0509 DRWN:DSHEA 2012/10/10 CHKD:SMCGREEVY 2012/10/24 APPR:STGRIFLIN 2012/11/05 DESCRIPTION REV	QUALITY SYMBOLS ▽=0 ▽=4	GENERAL TOLERANCES (UNLESS SPECIFIED) <table border="1"> <thead> <tr> <th></th> <th>mm</th> <th>INCH</th> </tr> </thead> <tbody> <tr><td>4 PLACES</td><td>±---</td><td>±---</td></tr> <tr><td>3 PLACES</td><td>±---</td><td>±---</td></tr> <tr><td>2 PLACES</td><td>±0.10</td><td>±---</td></tr> <tr><td>1 PLACE</td><td>±0.20</td><td>±---</td></tr> </tbody> </table> ANGULAR ± 2° DRAFT WHERE APPLICABLE MUST REMAIN WITHIN DIMENSIONS		mm	INCH	4 PLACES	±---	±---	3 PLACES	±---	±---	2 PLACES	±0.10	±---	1 PLACE	±0.20	±---	DIMENSION STYLE MM ONLY	SCALE 1:1	DESIGN UNITS METRIC	THIRD ANGLE PROJECTION
		mm	INCH																		
	4 PLACES	±---	±---																		
	3 PLACES	±---	±---																		
2 PLACES	±0.10	±---																			
1 PLACE	±0.20	±---																			
DRAWN BY D MAHER DATE 2009/3/24	CHECKED BY S MCGREEVY DATE 2009/3/24	APPROVED BY EFOLAN DATE 2010/05/06	TITLE EXTERNAL THREAD C92 SERIES 121203	MATERIAL NO. SEE TABLE	DOCUMENT NO. SD-121203-001	SHEET NO. 1 OF 1															
MOLEX INCORPORATED						THIS DRAWING CONTAINS INFORMATION THAT IS PROPRIETARY TO MOLEX INCORPORATED AND SHOULD NOT BE USED WITHOUT WRITTEN PERMISSION															
SIZE A2						1 OF 1															