



Chipsmall Limited consists of a professional team with an average of over 10 year of expertise in the distribution of electronic components. Based in Hongkong, we have already established firm and mutual-benefit business relationships with customers from,Europe,America and south Asia,supplying obsolete and hard-to-find components to meet their specific needs.

With the principle of “Quality Parts,Customers Priority,Honest Operation,and Considerate Service”,our business mainly focus on the distribution of electronic components. Line cards we deal with include Microchip,ALPS,ROHM,Xilinx,Pulse,ON,Everlight and Freescale. Main products comprise IC,Modules,Potentiometer,IC Socket,Relay,Connector.Our parts cover such applications as commercial,industrial, and automotives areas.

We are looking forward to setting up business relationship with you and hope to provide you with the best service and solution. Let us make a better world for our industry!



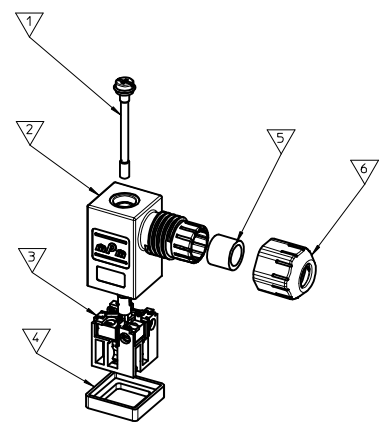
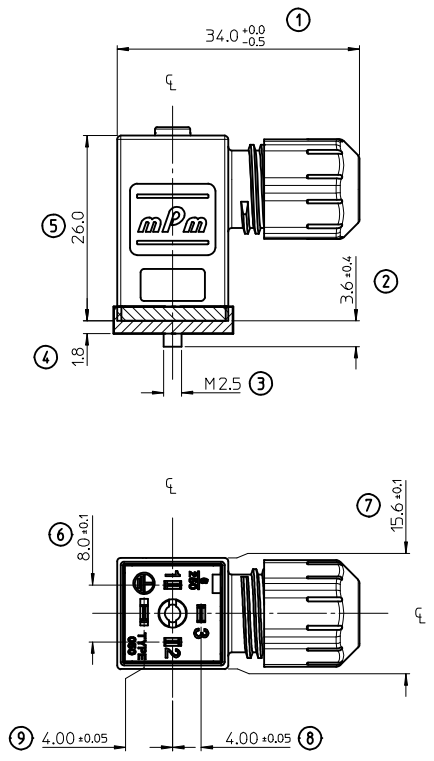
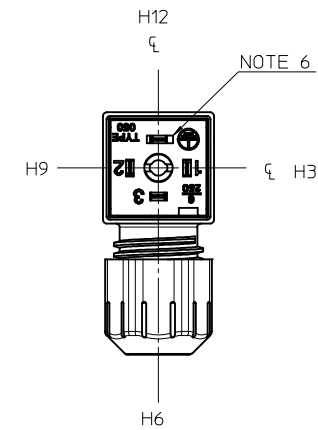
Contact us

Tel: +86-755-8981 8866 Fax: +86-755-8427 6832

Email & Skype: info@chipsmall.com Web: www.chipsmall.com

Address: A1208, Overseas Decoration Building, #122 Zhenhua RD., Futian, Shenzhen, China





ITEM	DESCRIPTION
1	SCREW
2	EXTERNAL THREAD COVER
3	INSERT
4	GASKET
5	GROMMET
6	EXTERNAL THREAD NUT

C25200NOT***

SERIES _____
 C25= EXTERNAL THREAD FORM C
 POLES _____
 2= 2 POLE & 3= 3 POLE
 THREAD _____
 00 = EXTERNAL THREAD
 MATERIAL AND HOUSING COLOR _____
 G= PA6 GRAY, N= PA6 BLACK, W= PA6 BLACK V0, T= TRANSPARENT
 GROUND POSITION _____
 0= UNMOUNTED, 2= H12, 3=H3, 6 =H6 & 9= H9
 SCREW AND GASKET _____
 U= PROFILE SILICON GASKET AND IP67 SCREW
 T= PROFILE NBR GASKET AND IP67 SCREW
 NON STANDARD PACKAGING _____
 CN= BULK PACK UN-MOUNTED
 SN= BULK PACK MOUNTED
 67= NEUTRAL PACKAGING
 ADDITIONAL CODES _____
 SA = UL AGENCY APPROVAL

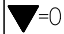
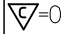
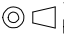
NOTES:

- FOR SPECIFIC PART NUMBERS PLEASE CONTACT SALES OR CONSULT THE INTELLIGENT PART NUMBERS IN THE TABLE ATTACHED
- PACKAGING SPECIFICATION: PLEASE SEE PK-121204-001
- PRODUCT SPECIFICATION: PLEASE SEE PS-121201-001
- CABLE SIZES 3 - 5.5 MM DIAMETER
- TIGHTENING TORQUES: SEE PS-121201-001
- GROUND POSITION SHOWN H12

LAST INSPECTION NUMBER 9

CHANGED SCREW EC NO: IPG2012-0379 DRWN:DSHEA 2012/05/15 CHKD:SMCGREY 2012/06/12 APPR:EFOLAN 2012/07/20	QUALITY SYMBOLS	GENERAL TOLERANCES (UNLESS SPECIFIED)	DIMENSION STYLE MM ONLY	SCALE 2:1	DESIGN UNITS METRIC	THIRD ANGLE PROJECTION
	▽=0	4 PLACES ±---	mm INCH	DRAWN BY DMAHER_WEU	DATE 2010/03/12	TITLE EXTERNAL THREAD C25 SERIES 121204
	▽=0	3 PLACES ±---		CHECKED BY E FOLAN	DATE	
		2 PLACES ±0.1		APPROVED BY JWALLACE	DATE 2010/03/24	MATERIAL NO.
	1 PLACE ±0.2	ANGULAR ±---				SHEET NO. 1 OF 2
		DRAFT WHERE APPLICABLE MUST REMAIN WITHIN DIMENSIONS	SIZE A2	THIS DRAWING CONTAINS INFORMATION THAT IS PROPRIETARY TO MOLEX INCORPORATED AND SHOULD NOT BE USED WITHOUT WRITTEN PERMISSION		

Part No	MPM Part No	DESCRIPTION
1212040001	C25200N0T	FORM C 2 POLE BLACK NBR GASKET
1212040002	C25200G0T	FORM C 2 POLE GREY NBR GASKET
1212040003	C25200W0TSA	FORM C 2 POLE BLACK UL V0 NBR GASKET
1212040004	C25200T0T	FORM C 2 POLE TRANSPARENT NBR GASKET
1212040005	C25300N0T	FORM C 3 POLE BLACK NBR GASKET
1212040006	C25300G0T	FORM C 3 POLE GREY NBR GASKET
1212040007	C25300W0TSA	FORM C 3 POLE BLACK UL V0 NBR GASKET
1212040008	C25300T0T	FORM C 3 POLE TRANSPARENT NBR GASKET
1212040009	C25200N0TCN	FORM C 2 POLE EXT ASY BLK PA6 BULK
1212040010	C25200N2TSN	FORM C 2 POLE EXT ASY BLK PA6 BULK MOUNTED
1212040011	C25300N2TSN	FORM C 3 POLE EXT ASY BLK PA6 BULK MOUNTED
1212040012	C25200W0USA	FORM C 2 POLE BLACK UL V0 SILICONE GASKET
1212040013	C25300W0USA	FORM C 3 POLE BLACK UL V0 SILICONE GASKET
1212040014	C25200W0TCNSA	FORM C 2 POLE EXT ASY BLK UL V0 PA6 NBR BULK
1212040015	C25200W0UCNSA	FORM C 2 POLE EXT ASY BLK UL V0 PA6 SILICONE BULK
1212040016	C25300W0TCNSA	FORM C 3 POLE EXT ASY BLK UL V0 PA6 NBR BULK
1212040017	C25300W0UCNSA	FORM C 3 POLE EXT ASY BLK UL V0 PA6 SILICONE BULK
1212040018	C25200W2TSNSA	FORM C 2 POLE EXT ASY BLK UL V0 PA6 NBR BULK MOUNTED

SEE SHEET 1 EC NO: IPG2012-0379 DRW:HSHEA 2012/05/15 CHKD:SMGREVY 2012/06/22 APPR:EFOLAN 2012/07/20	DESCRIPTION REV	QUALITY SYMBOLS  = 0  = 0.1	GENERAL TOLERANCES (UNLESS SPECIFIED) <table border="1"> <thead> <tr> <th></th> <th>mm</th> <th>INCH</th> </tr> </thead> <tbody> <tr> <td>4 PLACES</td> <td>± ---</td> <td>± ---</td> </tr> <tr> <td>3 PLACES</td> <td>± ---</td> <td>± ---</td> </tr> <tr> <td>2 PLACES</td> <td>± 0.1</td> <td>± ---</td> </tr> <tr> <td>1 PLACE</td> <td>± 0.2</td> <td>± ---</td> </tr> <tr> <td>0 PLACE</td> <td>± ---</td> <td>± ---</td> </tr> </tbody> </table>		mm	INCH	4 PLACES	± ---	± ---	3 PLACES	± ---	± ---	2 PLACES	± 0.1	± ---	1 PLACE	± 0.2	± ---	0 PLACE	± ---	± ---	DIMENSION STYLE MM ONLY	SCALE 1:1	DESIGN UNITS METRIC	 THIRD ANGLE PROJECTION
			mm	INCH																					
		4 PLACES	± ---	± ---																					
		3 PLACES	± ---	± ---																					
2 PLACES	± 0.1	± ---																							
1 PLACE	± 0.2	± ---																							
0 PLACE	± ---	± ---																							
		DRAWN BY DMAHER_WEU	DATE 2010/03/12	TITLE EXTERNAL THREAD C25 SERIES 121204																					
		CHECKED BY E FOLAN	DATE	APPROVED BY JWALLACE																					
		MATERIAL NO.		DATE 2010/03/24	DOCUMENT NO. SD-121204-001		SHEET NO. 2 OF 2																		
		DRAFT WHERE APPLICABLE MUST REMAIN WITHIN DIMENSIONS		SIZE A2	THIS DRAWING CONTAINS INFORMATION THAT IS PROPRIETARY TO MOLEX INCORPORATED AND SHOULD NOT BE USED WITHOUT WRITTEN PERMISSION																				