



Chipsmall Limited consists of a professional team with an average of over 10 year of expertise in the distribution of electronic components. Based in Hongkong, we have already established firm and mutual-benefit business relationships with customers from,Europe,America and south Asia,supplying obsolete and hard-to-find components to meet their specific needs.

With the principle of “Quality Parts,Customers Priority,Honest Operation,and Considerate Service”,our business mainly focus on the distribution of electronic components. Line cards we deal with include Microchip,ALPS,ROHM,Xilinx,Pulse,ON,Everlight and Freescale. Main products comprise IC,Modules,Potentiometer,IC Socket,Relay,Connector.Our parts cover such applications as commercial,industrial, and automotives areas.

We are looking forward to setting up business relationship with you and hope to provide you with the best service and solution. Let us make a better world for our industry!



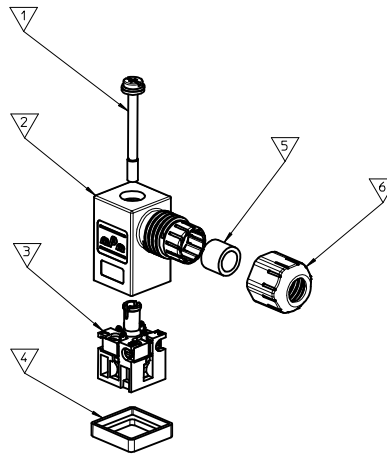
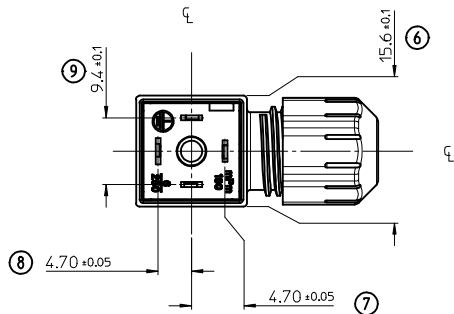
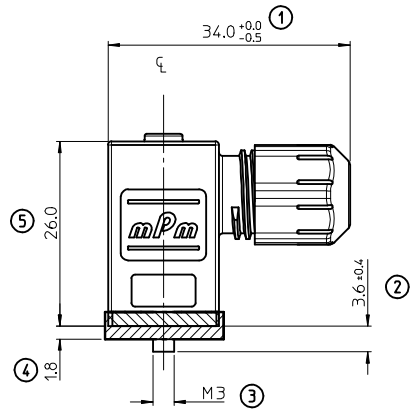
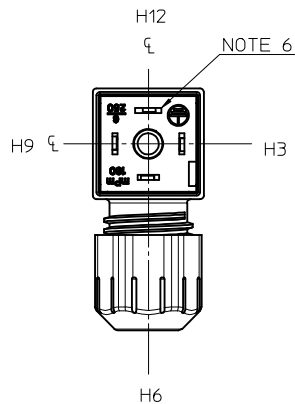
Contact us

Tel: +86-755-8981 8866 Fax: +86-755-8427 6832

Email & Skype: info@chipsmall.com Web: www.chipsmall.com

Address: A1208, Overseas Decoration Building, #122 Zhenhua RD., Futian, Shenzhen, China





ITEM	DESCRIPTION
1	SCREW
2	EXTERNAL THREAD COVER
3	INSERT
4	GASKET
5	GROMMET
6	EXTERNAL THREAD NUT

C29200NOT****

SERIES _____
 C29= EXTERNAL THREAD FORM C MICRO
 POLES _____
 2= 2 POLE & 3= 3 POLE
 THREAD _____
 00 = EXTERNAL THREAD
 MATERIAL AND HOUSING COLOR _____
 G= PA6 GREY, N= PA6 BLACK, W= PA6 BLACK V0, T= TRANSPARENT
 GROUND POSITION _____
 0= UNMOUNTED, 2= H12, 3=H3, 6 =H6 & 9= H9
 SCREW AND GASKET _____
 U= PROFILE SILICON GASKET AND IP67 SCREW
 T= PROFILE NBR GASKET AND IP67 SCREW
 NON STANDARD PACKAGING _____
 CN= BULK PACK UN-MOUNTED
 SN= BULK PACK MOUNTED
 ADDITIONAL CODES _____
 SA= UL AGENCY APPROVAL

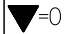
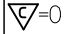

NOTES:

- FOR SPECIFIC PART NUMBERS PLEASE CONTACT SALES OR CONSULT THE INTELLIGENT PART NUMBERS IN THE TABLE ATTACHED
- PACKAGING SPECIFICATION: PLEASE SEE PK-121201-001
- PRODUCT SPECIFICATION: PLEASE SEE PS-121201-001
- CABLE SIZES 3 - 5.5 MM DIAMETER
- TIGHTENING TORQUES: SEE PS-121201-001
- GROUND POSITION SHOWN H12

LAST INSPECTION NUMBER 9

ADDED PART NUMBER EC NO: IPC2013-1466 DRWN:DSHEA 2013/03/21 CHKD:SMCGREEVY 2013/03/21 APPR:STGERFFIN 2013/04/08	QUALITY SYMBOLS ▽=0 ▽=0	GENERAL TOLERANCES (UNLESS SPECIFIED)		DIMENSION STYLE MM ONLY	SCALE 2:1	DESIGN UNITS METRIC	THIRD ANGLE PROJECTION
		4 PLACES ± --- ± --- 3 PLACES ± --- ± --- 2 PLACES ± 0.1 ± --- 1 PLACE ± 0.2 ± --- 0 PLACE ± --- ± ---	mm INCH ± --- ± --- ± 0.1 ± --- ± 0.2 ± --- ± --- ± ---	DRAWN BY: DMAHER_WEU DATE: 2010/05/10 CHECKED BY: _____ DATE: _____	TITLE: EXTERNAL THREAD C29 SERIES 121205		
ANGLULAR ± --- ° DRAFT WHERE APPLICABLE MUST REMAIN WITHIN DIMENSIONS		APPROVED BY: EFOLAN DATE: 2010/05/25	MATERIAL NO. SEE SHEET 2 DOCUMENT NO. SD-121205-001	SHEET NO. 1 OF 2			

PART NUMBER	mPm NUMBER	DESCRIPTION
1212050001	C29200N0T	FORM C MICRO 2 POLE BLACK NBR GASKET
1212050002	C29200G0T	FORM C MICRO 2 POLE GREY NBR GASKET
1212050003	C29200W0TSA	FORM C MICRO 2 POLE BLACK UL V0 NBR GASKET
1212050004	C29200T0T	FORM C MICRO 2 POLE TRANSPARENT NBR GASKET
1212050005	C29300N0T	FORM C MICRO 3 POLE BLACK NBR GASKET
1212050006	C29300G0T	FORM C MICRO 3 POLE GREY NBR GASKET
1212050007	C29300W0TSA	FORM C MICRO 3 POLE BLACK UL V0 NBR GASKET
1212050008	C29300T0T	FORM C MICRO 3 POLE TRANSPARENT NBR GASKET
1212050009	C29200N0TCN	FORM C MICRO 2 POLE BLACK NBR GASKET
1212050011	C29200W0TCNSA	FORM C MICRO 2 POLE BLACK UL V0 NBR GASKET
1212050012	C29200N2TSN	FORM C MICRO 2 POLE BLACK NBR GASKET
1212050013	C29200W0USA	FORM C MICRO 2 POLE BLACK UL V0 SILICONE GASKET
1212050014	C29300W0USA	FORM C MICRO 3 POLE BLACK UL V0 SILICONE GASKET
1212050015	C29300W0TCNSA	FORM C MICRO 3 POLE BLK UL V0 PA6 NBR BULK
1212050016	C29200W0UCNSA	FORM C MICRO 2 POLE BLK UL V0 PA6 SILICONE BULK
1212050017	C29300W0UCNSA	FORM C MICRO 3 POLE BLK UL V0 PA6 SILICONE BULK
1212050018	C29300G2TSN	FORM C MICRO 3 POLE GREY NBR GASKET
1212050019	C29200T2TSN	FORM C MICRO 2 POLE TRANSPARENT NBR GASKET
1212050020	C29200W6TSNSA	FORM C MICRO 2 POLE BLK UL V0 PA6 NBR BULK
1212050021	C29300N2TSN	FORM C MICRO 3 POLE BLACK NBR GASKET
1212050022	C29300N0U	FORM C MICRO 3 POLE BLACK SILICONE GASKET
1212050023	C29200W2TSNSA	FORM C MICRO 2 POLE BLK UL V0 PA6 NBR BULK
1212050024	C29300N0TCN	FORM C MICRO 3 POLE BLACK NBR GASKET

SEE SHEET 1 EC NO: IPG2013-1466 DRWNG: SHEA 2013/03/21 CHKD: SMC GREVY 2013/03/21 APPR: STGERLFFIN 2013/04/08	QUALITY SYMBOLS  =0  =0	GENERAL TOLERANCES (UNLESS SPECIFIED) <table border="1"> <thead> <tr> <th></th> <th>mm</th> <th>INCH</th> </tr> </thead> <tbody> <tr><td>4 PLACES</td><td>± .005</td><td>± .0002</td></tr> <tr><td>3 PLACES</td><td>± .005</td><td>± .0002</td></tr> <tr><td>2 PLACES</td><td>± 0.1</td><td>± .004</td></tr> <tr><td>1 PLACE</td><td>± 0.2</td><td>± .008</td></tr> <tr><td>0 PLACE</td><td>± .005</td><td>± .0002</td></tr> </tbody> </table>		mm	INCH	4 PLACES	± .005	± .0002	3 PLACES	± .005	± .0002	2 PLACES	± 0.1	± .004	1 PLACE	± 0.2	± .008	0 PLACE	± .005	± .0002	DIMENSION STYLE MM ONLY DRAWN BY: DMAHER_WEU DATE: 2010/05/10 CHECKED BY: _____ DATE: _____ APPROVED BY: EFOLAN DATE: 2010/05/25 MATERIAL NO. _____ DOCUMENT NO. SD-121205-001	SCALE: 1:1 DESIGN UNITS: METRIC THIRD ANGLE PROJECTION TITLE: EXTERNAL THREAD C29 SERIES 121205 	SHEET NO. 2 OF 2
		mm	INCH																				
	4 PLACES	± .005	± .0002																				
	3 PLACES	± .005	± .0002																				
2 PLACES	± 0.1	± .004																					
1 PLACE	± 0.2	± .008																					
0 PLACE	± .005	± .0002																					
ANGLULAR ± .005° DRAFT WHERE APPLICABLE MUST REMAIN WITHIN DIMENSIONS	SIZE: A2	THIS DRAWING CONTAINS INFORMATION THAT IS PROPRIETARY TO MOLEX INCORPORATED AND SHOULD NOT BE USED WITHOUT WRITTEN PERMISSION																					