



Chipsmall Limited consists of a professional team with an average of over 10 year of expertise in the distribution of electronic components. Based in Hongkong, we have already established firm and mutual-benefit business relationships with customers from,Europe,America and south Asia,supplying obsolete and hard-to-find components to meet their specific needs.

With the principle of "Quality Parts,Customers Priority,Honest Operation,and Considerate Service",our business mainly focus on the distribution of electronic components. Line cards we deal with include Microchip,ALPS,ROHM,Xilinx,Pulse,ON,Everlight and Freescale. Main products comprise IC,Modules,Potentiometer,IC Socket,Relay,Connector.Our parts cover such applications as commercial,industrial, and automotives areas.

We are looking forward to setting up business relationship with you and hope to provide you with the best service and solution. Let us make a better world for our industry!



Contact us

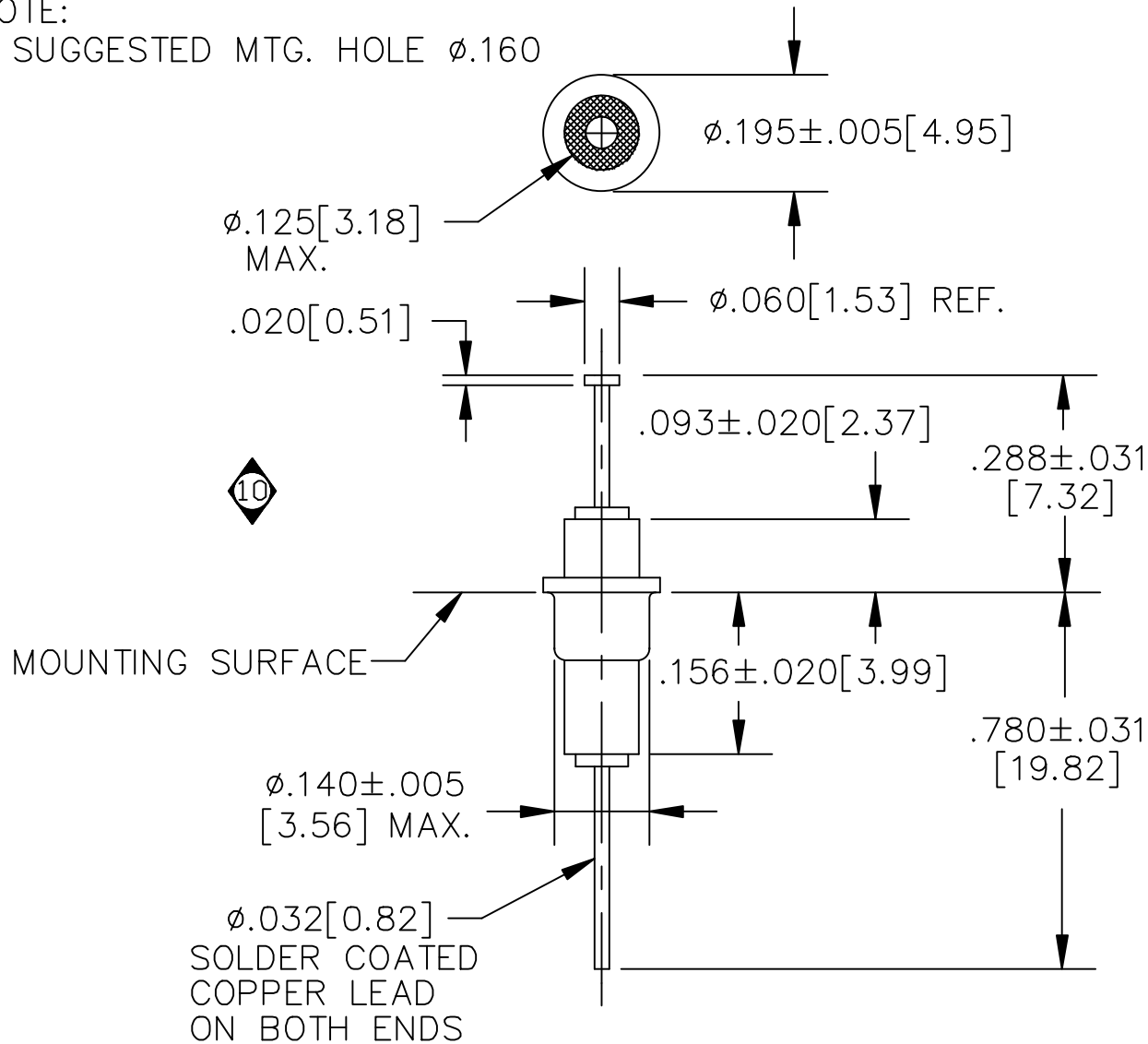
Tel: +86-755-8981 8866 Fax: +86-755-8427 6832

Email & Skype: info@chipsmall.com Web: www.chipsmall.com

Address: A1208, Overseas Decoration Building, #122 Zhenhua RD., Futian, Shenzhen, China



NOTE:
SUGGESTED MTG. HOLE $\phi.160$



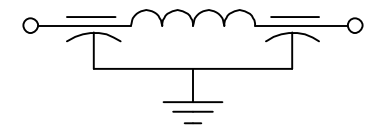
CAPACITANCE	1750pF GMV
TEMP. RANGE	-55°C TO 125°C
CURRENT	10 AMP MAX.
WORKING VOLTAGE	85°C: 250 VDC 125°C: 200 VDC

D.C.R.=.01 Ohms MAX.

I.L. PER MIL-STD-220


FREQ. MHz	I.L. (db)
10	5
50	N/A
100	50
500	N/A
1 GHz	60

SCHEMATIC



MARKING:

PART: NONE
BAG:
1214-001
DATE CODE
QTY./BAG (200 MAX.)

REV. NO.	10	9	8	7	6	5	REV. NO.	TOLERANCES UNLESS OTHERWISE SPECIFIED	 SPECTRUM CONTROL INC.	FAIRVIEW PENNSYLVANIA	
CHANGE NOTICE	CN 13657-CPD	CN 210694	CN 202455 REDRAWN	CN 201264	CN 191480	CN 184998		Fractions $\pm 1/64$		Dwn. KRDZALIC	Description
								Dec. .xx \pm	Date 8/12/04	SOLDER-IN FILTER	
								Dec. .xxx \pm .015	Engr GRUNAUER	1214-001	
								Angles $\pm 0^\circ 30'$	Scale N.T.S.		
								CODE IDENT. NO. OLSP2			