



Chipsmall Limited consists of a professional team with an average of over 10 year of expertise in the distribution of electronic components. Based in Hongkong, we have already established firm and mutual-benefit business relationships with customers from,Europe,America and south Asia,supplying obsolete and hard-to-find components to meet their specific needs.

With the principle of “Quality Parts,Customers Priority,Honest Operation,and Considerate Service”,our business mainly focus on the distribution of electronic components. Line cards we deal with include Microchip,ALPS,ROHM,Xilinx,Pulse,ON,Everlight and Freescale. Main products comprise IC,Modules,Potentiometer,IC Socket,Relay,Connector.Our parts cover such applications as commercial,industrial, and automotives areas.

We are looking forward to setting up business relationship with you and hope to provide you with the best service and solution. Let us make a better world for our industry!



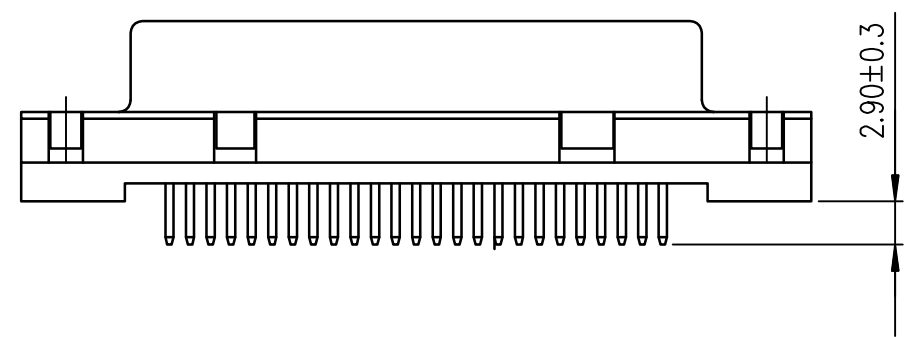
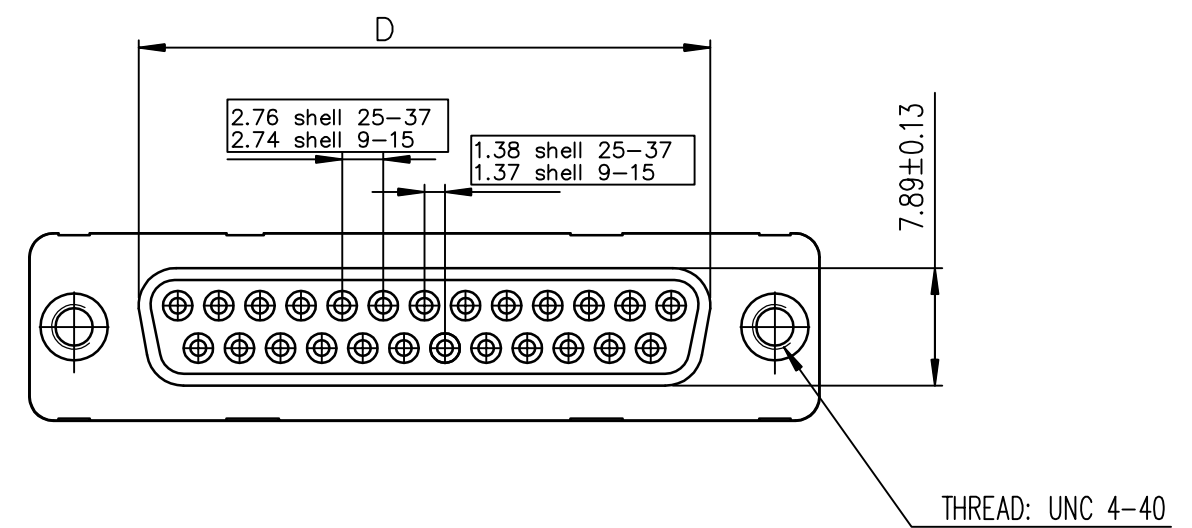
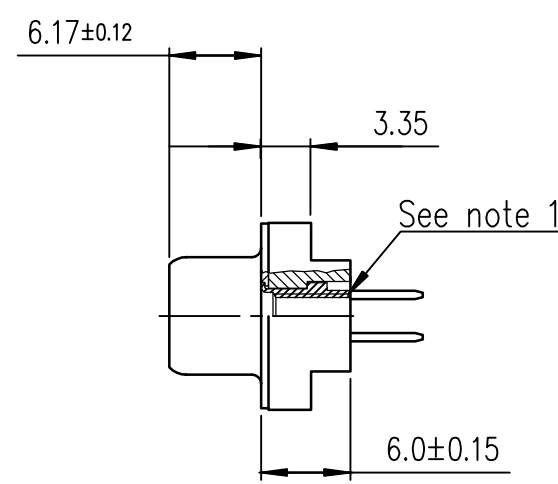
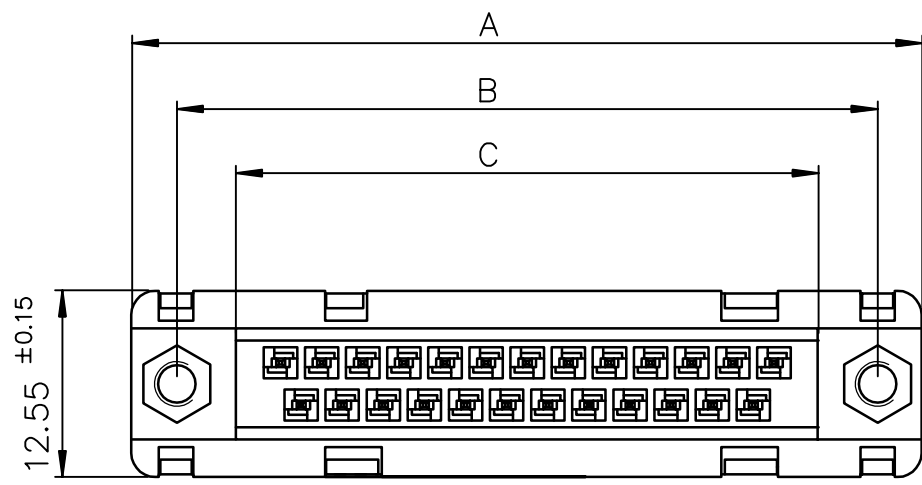
Contact us

Tel: +86-755-8981 8866 Fax: +86-755-8427 6832

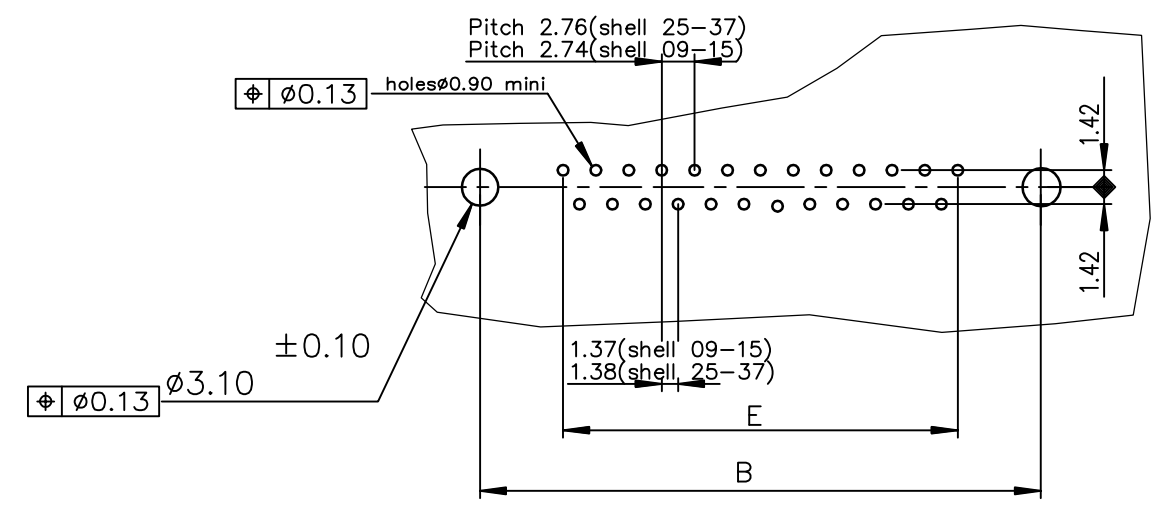
Email & Skype: info@chipsmall.com Web: www.chipsmall.com

Address: A1208, Overseas Decoration Building, #122 Zhenhua RD., Futian, Shenzhen, China





PC card drilling dimensions(after plating)
(thickness 1.60±0.20mm)



Notes:
1) The nut can protrude above the surface of insulator but maintaining the footprint dimension 6.0±0.15 mm.

GENERAL CHARACTERISTICS AND ROHS INFORMATIONS:
SEE DRAWING C01-8646-0000

LEAD FREE PART NUMBER

SHELL	A±0.38	B±0.12	C±0.10	D±0.25	E±0.07	PART NUMBER
09	30.81	24.99	16.96	16.21	10.96	D09S24A.PX00LF
15	39.14	33.32	25.18	24.54	19.18	D15S24A.PX00LF
25	53.03	47.04	39.12	38.25	33.12	D25S24A.PX00LF
37	69.32	63.50	55.68	54.71	49.68	D37S24A.PX00LF

Plating: 4 --> Flash Au
Plating: 6 --> 0.76µ Au

mat'l. code		surface ISO 1302		tolerance ISO 406 ISO 1101		projection		product family	
-		✓				MM		D-SUB	
ltr	ecn no	dr	date	tolerances unless otherwise specified		title			
E	ELX-I-22878	AB	2015/01/06	angles	linear	FEMALE CONNECTOR STD EUROPE			
				0°±2'		STRAIGHT SOLDER TYPE FOR PCB 1.6mm			
		dr	JOUBERT	1996/09/10		dwg no		sheet 1 of 1	size
		enr	ALIAS BABU	2015/01/06		C01-8646-0492		A3	
		chr	MITHUN PAUL	2015/01/06		type		Product Customer Drawing	
		app	BIJU K PAUL	2015/01/06					
sheet index	revision sheet	E	1						