



Chipsmall Limited consists of a professional team with an average of over 10 year of expertise in the distribution of electronic components. Based in Hongkong, we have already established firm and mutual-benefit business relationships with customers from,Europe,America and south Asia,supplying obsolete and hard-to-find components to meet their specific needs.

With the principle of “Quality Parts,Customers Priority,Honest Operation,and Considerate Service”,our business mainly focus on the distribution of electronic components. Line cards we deal with include Microchip,ALPS,ROHM,Xilinx,Pulse,ON,Everlight and Freescale. Main products comprise IC,Modules,Potentiometer,IC Socket,Relay,Connector.Our parts cover such applications as commercial,industrial, and automotives areas.

We are looking forward to setting up business relationship with you and hope to provide you with the best service and solution. Let us make a better world for our industry!



## Contact us

Tel: +86-755-8981 8866 Fax: +86-755-8427 6832

Email & Skype: info@chipsmall.com Web: www.chipsmall.com

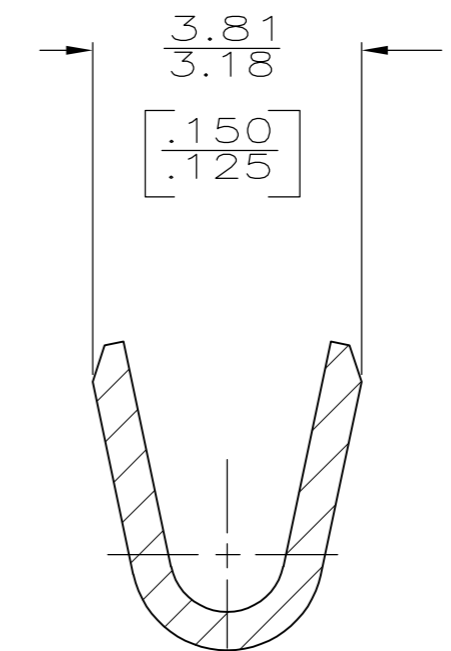
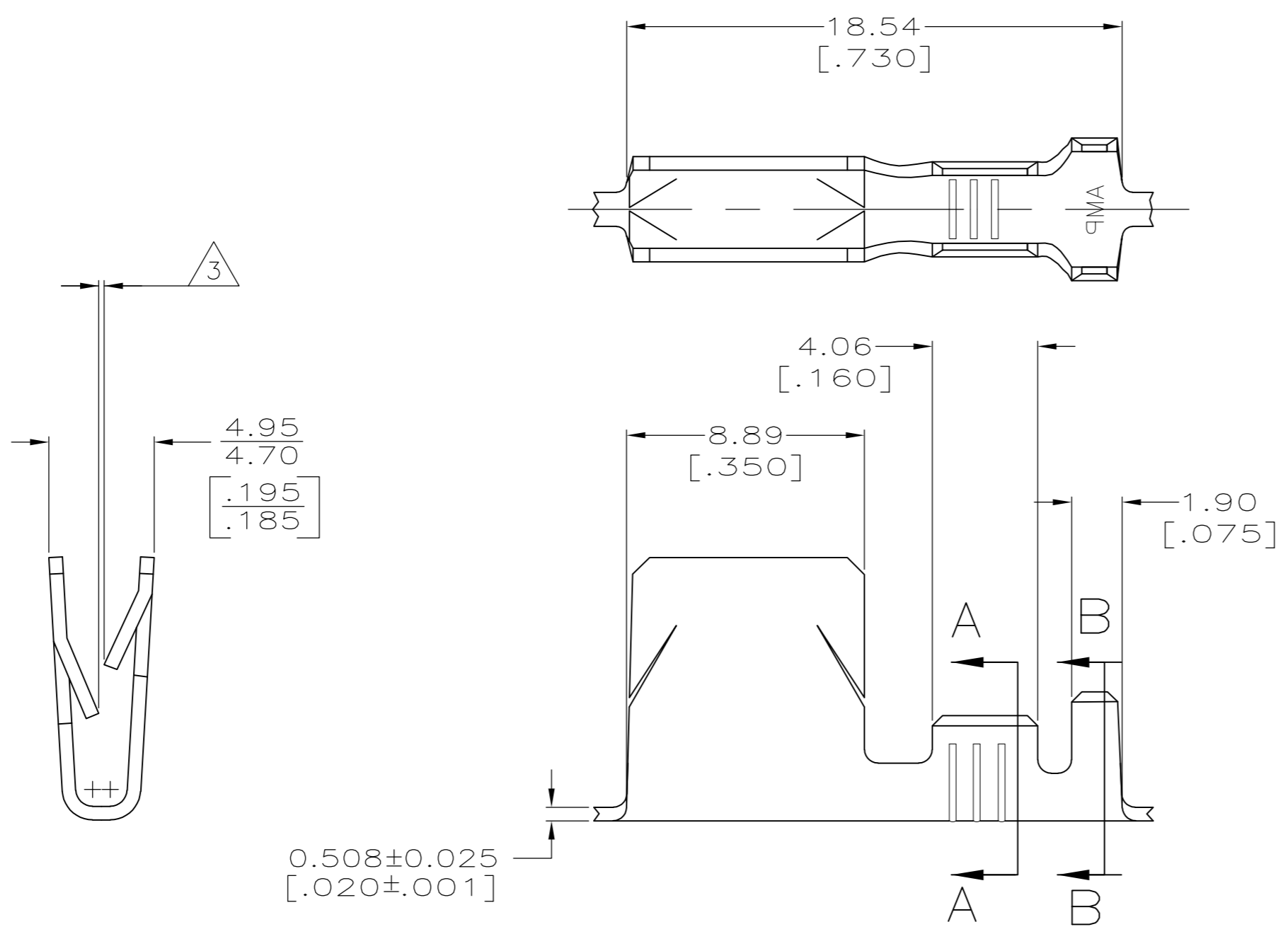
Address: A1208, Overseas Decoration Building, #122 Zhenhua RD., Futian, Shenzhen, China



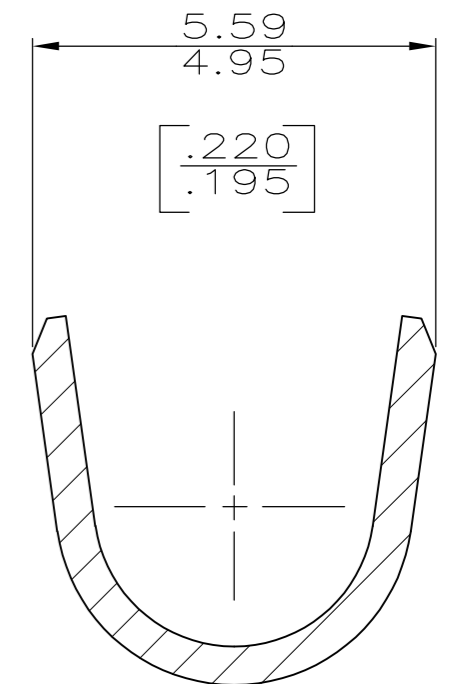
THIS DRAWING IS UNPUBLISHED. RELEASED FOR PUBLICATION  
 © COPYRIGHT BY TYCO ELECTRONICS CORPORATION. ALL RIGHTS RESERVED.

LOC	DIST	REVISIONS			
P	LTR	DESCRIPTION	DATE	DWN	APVD
AF	50	F1	REVISED PER ECO 10-015396	30JUL10	JR SM

- 1 CONTINUOUS STRIP ON REEL.
- 2 ACCOMODATES A PANEL THICKNESS RANGE FROM 1.19 [.047] TO 1.45 [.057].
- △ 0.76/0.51 [.030/.020] GAP BETWEEN TINES.



SECTION A-A  
SCALE 10:1



SECTION B-B  
SCALE 10:1

1217012-1  
PART NO.

THIS DRAWING IS A CONTROLLED DOCUMENT.		DWN 19JAN2005 MICHAEL S. FEHER	Tyco Electronics Corporation Harrisburg, Pa 17105-3608	
DIMENSIONS: MM [ INCHES ]		CHK 19JAN2005 EDWARD HOWARD	NAME -	
TOLERANCES UNLESS OTHERWISE SPECIFIED:		APVD 19JAN2005 EDWARD HOWARD	PRODUCT SPEC -	
0 PLC ± -		APPLICATION SPEC -	SIZE A2	CAGE CODE 00779
1 PLC ± -		WEIGHT -	DRAWING NO C=1217012	RESTRICTED TO -
2 PLC ± 0.25 [.010]		CUSTOMER DRAWING		
3 PLC ± -		SCALE 5:1	SHEET 1 OF 1	REV F1
4 PLC ± -				
ANGLES ± -				
FINISH -				
MATERIAL 1/4 HARD STAINLESS STEEL				