



Chipsmall Limited consists of a professional team with an average of over 10 year of expertise in the distribution of electronic components. Based in Hongkong, we have already established firm and mutual-benefit business relationships with customers from,Europe,America and south Asia,supplying obsolete and hard-to-find components to meet their specific needs.

With the principle of “Quality Parts,Customers Priority,Honest Operation,and Considerate Service”,our business mainly focus on the distribution of electronic components. Line cards we deal with include Microchip,ALPS,ROHM,Xilinx,Pulse,ON,Everlight and Freescale. Main products comprise IC,Modules,Potentiometer,IC Socket,Relay,Connector.Our parts cover such applications as commercial,industrial, and automotives areas.

We are looking forward to setting up business relationship with you and hope to provide you with the best service and solution. Let us make a better world for our industry!



Contact us

Tel: +86-755-8981 8866 Fax: +86-755-8427 6832

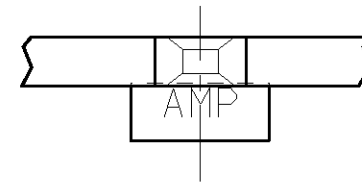
Email & Skype: info@chipsmall.com Web: www.chipsmall.com

Address: A1208, Overseas Decoration Building, #122 Zhenhua RD., Futian, Shenzhen, China

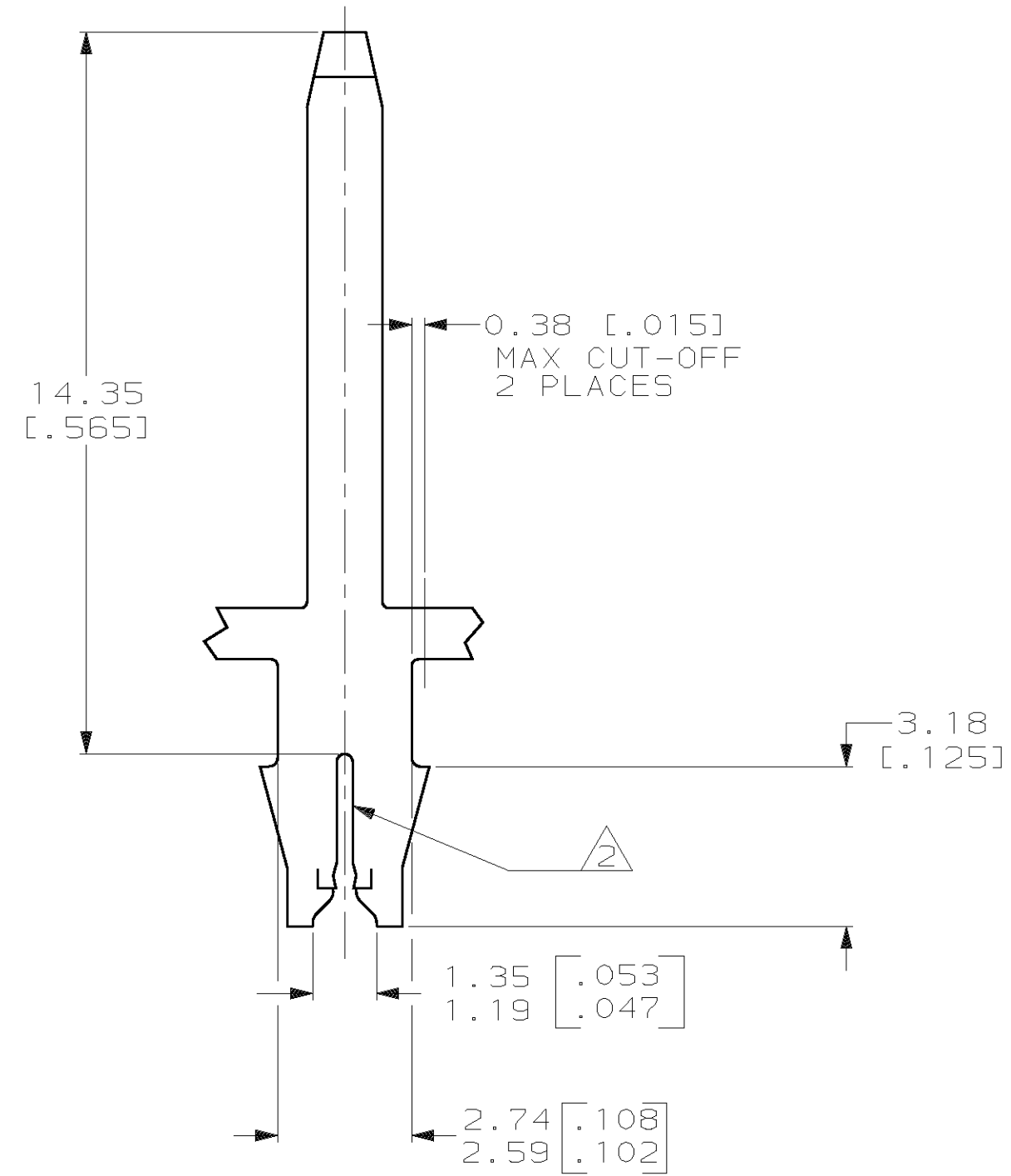
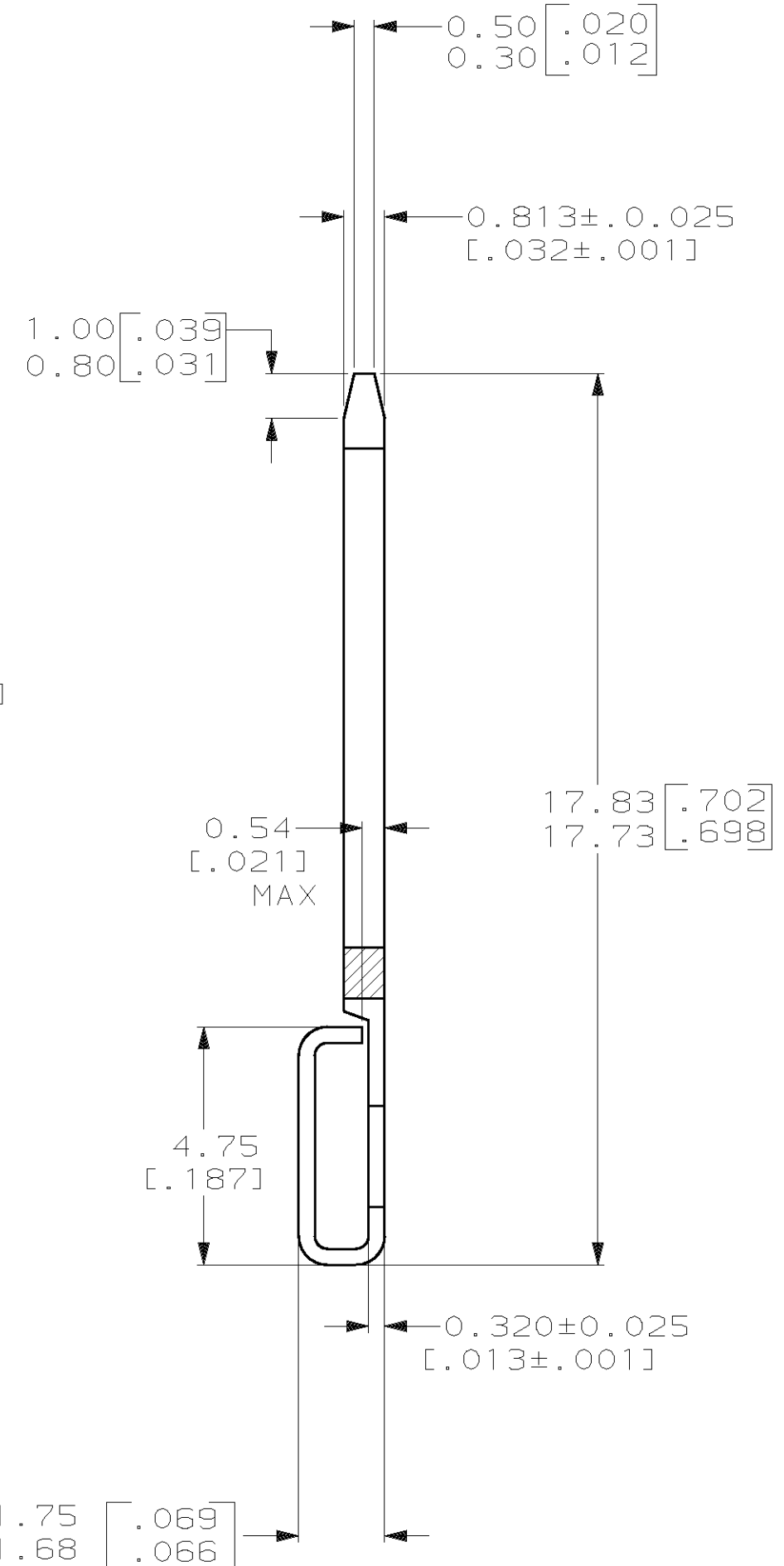
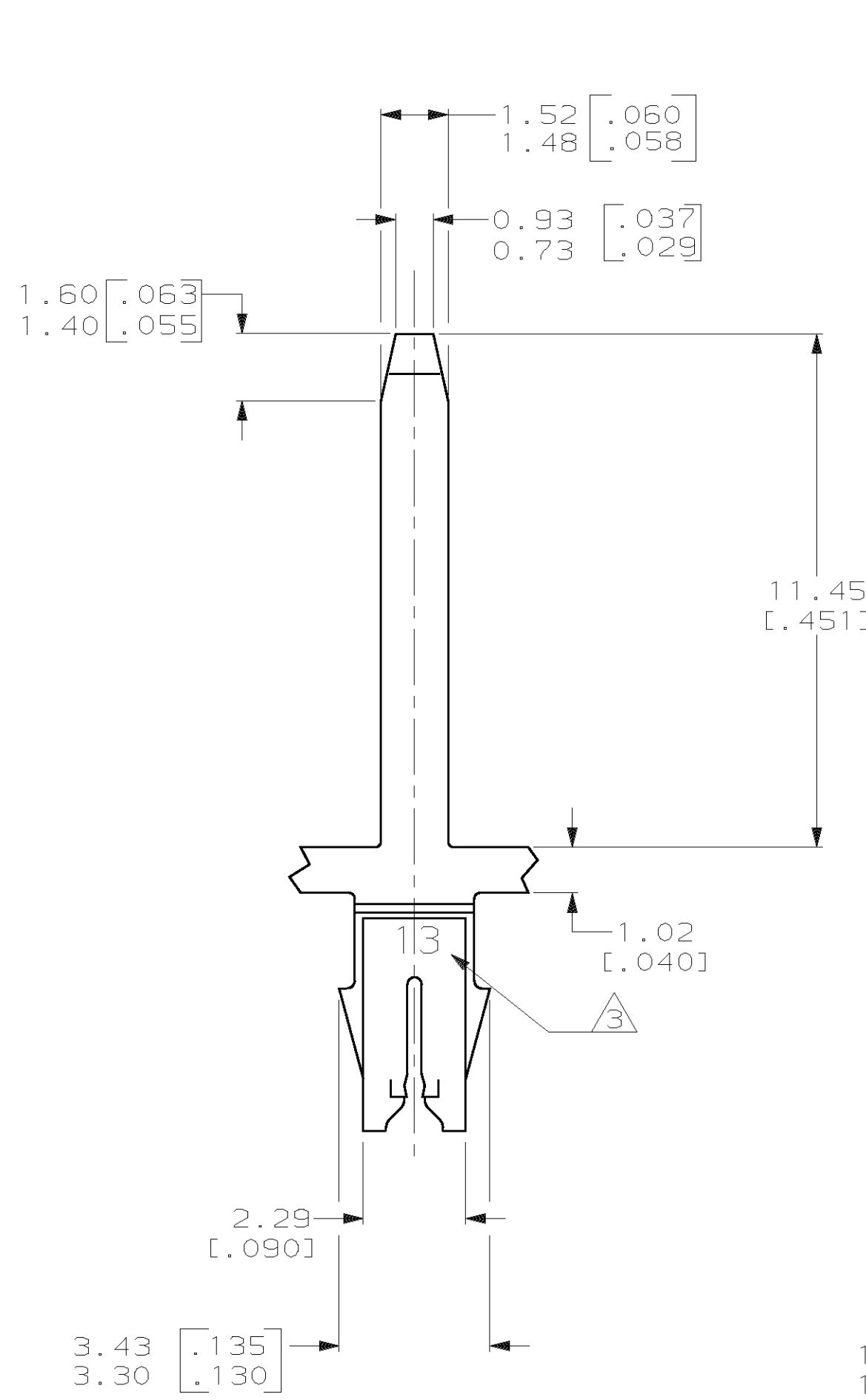


THIS DRAWING IS UNPUBLISHED. RELEASED FOR PUBLICATION .19
 (C) COPYRIGHT 19 BY AMP INCORPORATED. ALL RIGHTS RESERVED.

LOC		DIST		REVISIONS			
P	LTR	DESCRIPTION		DATE	DWN	APVD	
AF	50	A		REVISED PER 0G1A-0069-98	26MAR98	MF	KR



- 1 CONTINUOUS STRIP ON REELS (NO SPLICES) WITH TERMINALS LOCATED ON 5.08±0.08 [.200±.003] CENTERS.
- 2 SLOT ACCEPTS 0.46-0.64mm [#25-#22] AWG COPPER MAGNET WIRE
- 3 IDENTIFICATION NUMBER 13 FOR WIRE SLOT SIZE.
- 4 0.00203[.000080] MIN TIN PER MIL-T-10727 OVER 0.00254[.000100] MIN COPPER UNDERPLATE PER MIL-C-14550



PROPOSED DESIGN
 NOT RELEASED FOR
 PRODUCTION

1217013-1
 PART NUMBER

THIS DRAWING IS A CONTROLLED DOCUMENT.		DWN MICHAEL S. FEHER 24OCT97	AMP Incorporated Harrisburg, PA 17105-3608	
DIMENSIONS: mm [INCHES]		CHK JEFF R. RUTH 27OCT97	NAME KURT A. RANDOLPH 28OCT97	
TOLERANCES UNLESS OTHERWISE SPECIFIED: 0 PLC ±- 1 PLC ±- 2 PLC ±0.25[.010] 3 PLC ±- 4 PLC ±- ANGLES ±-		APVD KURT A. RANDOLPH 28OCT97	PRODUCT SPEC 108-2012	
MATERIAL H04 PRE-MILLED BRASS		FINISH 4	APPLICATION SPEC 114-2069	RESTRICTED TO -
		WEIGHT -	SIZE A2	CAGE CODE 00779
		CUSTOMER DRAWING	DRAWING NO C=1217013	SCALE 8:1
			SHEET 1	OF 1
			REV A	

1217013