



Chipsmall Limited consists of a professional team with an average of over 10 year of expertise in the distribution of electronic components. Based in Hongkong, we have already established firm and mutual-benefit business relationships with customers from,Europe,America and south Asia,supplying obsolete and hard-to-find components to meet their specific needs.

With the principle of "Quality Parts,Customers Priority,Honest Operation,and Considerate Service",our business mainly focus on the distribution of electronic components. Line cards we deal with include Microchip,ALPS,ROHM,Xilinx,Pulse,ON,Everlight and Freescale. Main products comprise IC,Modules,Potentiometer,IC Socket,Relay,Connector.Our parts cover such applications as commercial,industrial, and automotives areas.

We are looking forward to setting up business relationship with you and hope to provide you with the best service and solution. Let us make a better world for our industry!



Contact us

Tel: +86-755-8981 8866 Fax: +86-755-8427 6832

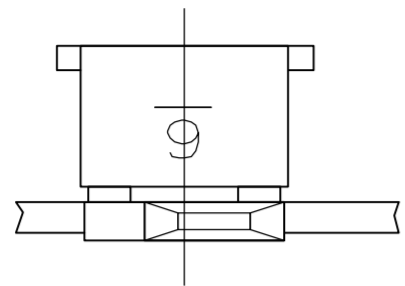
Email & Skype: info@chipsmall.com Web: www.chipsmall.com

Address: A1208, Overseas Decoration Building, #122 Zhenhua RD., Futian, Shenzhen, China

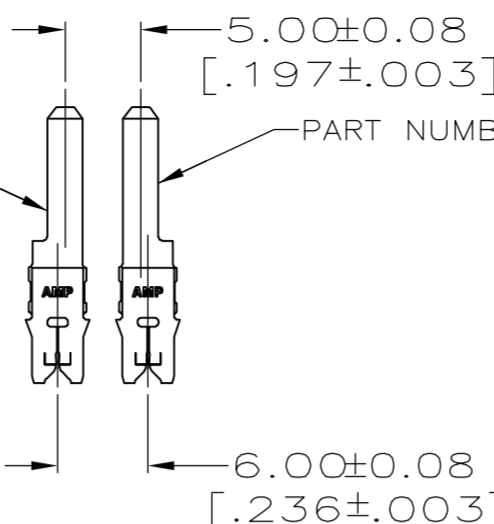


THIS DRAWING IS UNPUBLISHED. RELEASED FOR PUBLICATION
 © COPYRIGHT BY TYCO ELECTRONICS CORPORATION. ALL RIGHTS RESERVED.

LOC		DIST		REVISIONS					
AF		50		P	LTR	DESCRIPTION	DATE	DWN	APVD
				D		REVISED PER ECR-05-010598	02DEC05	MF	KR

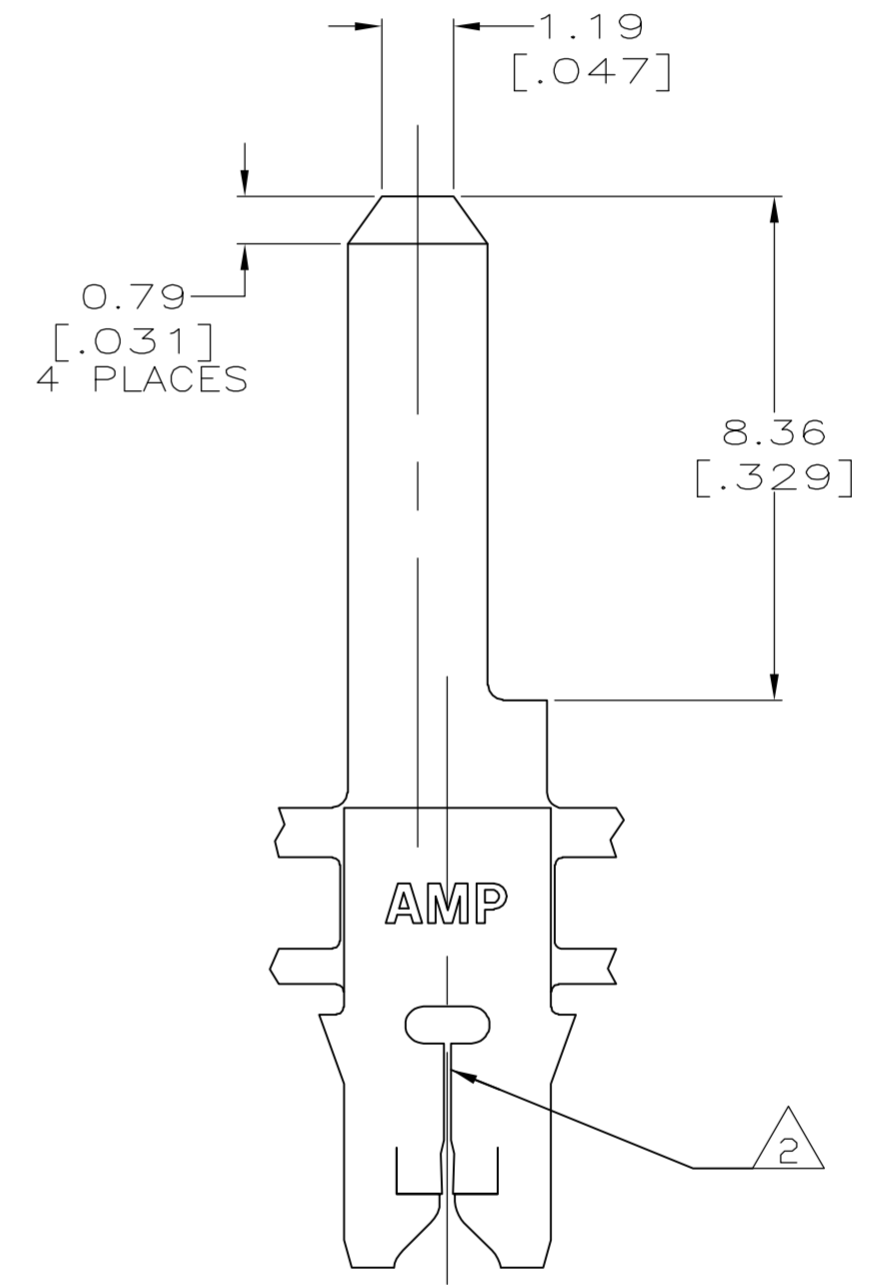
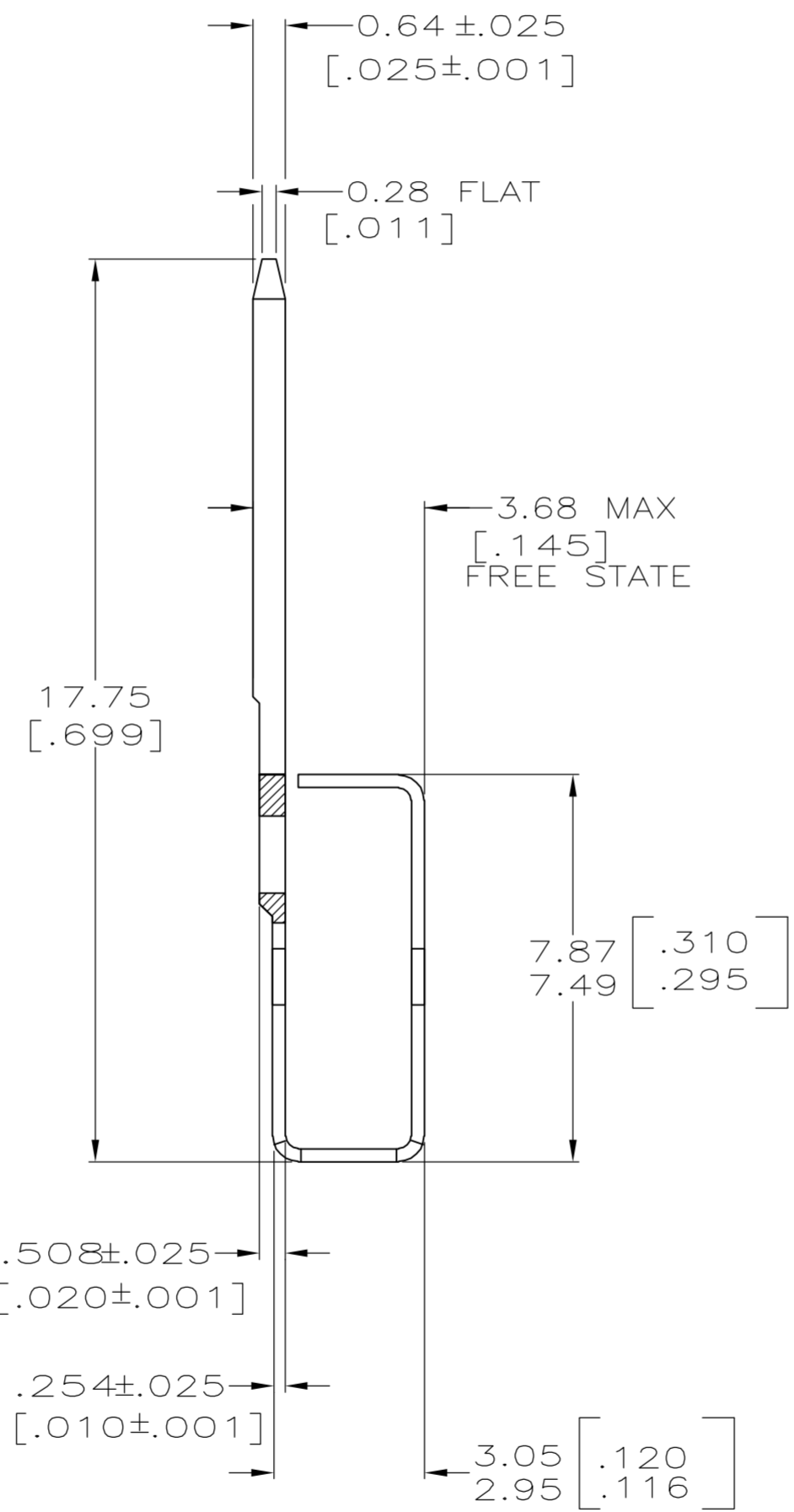
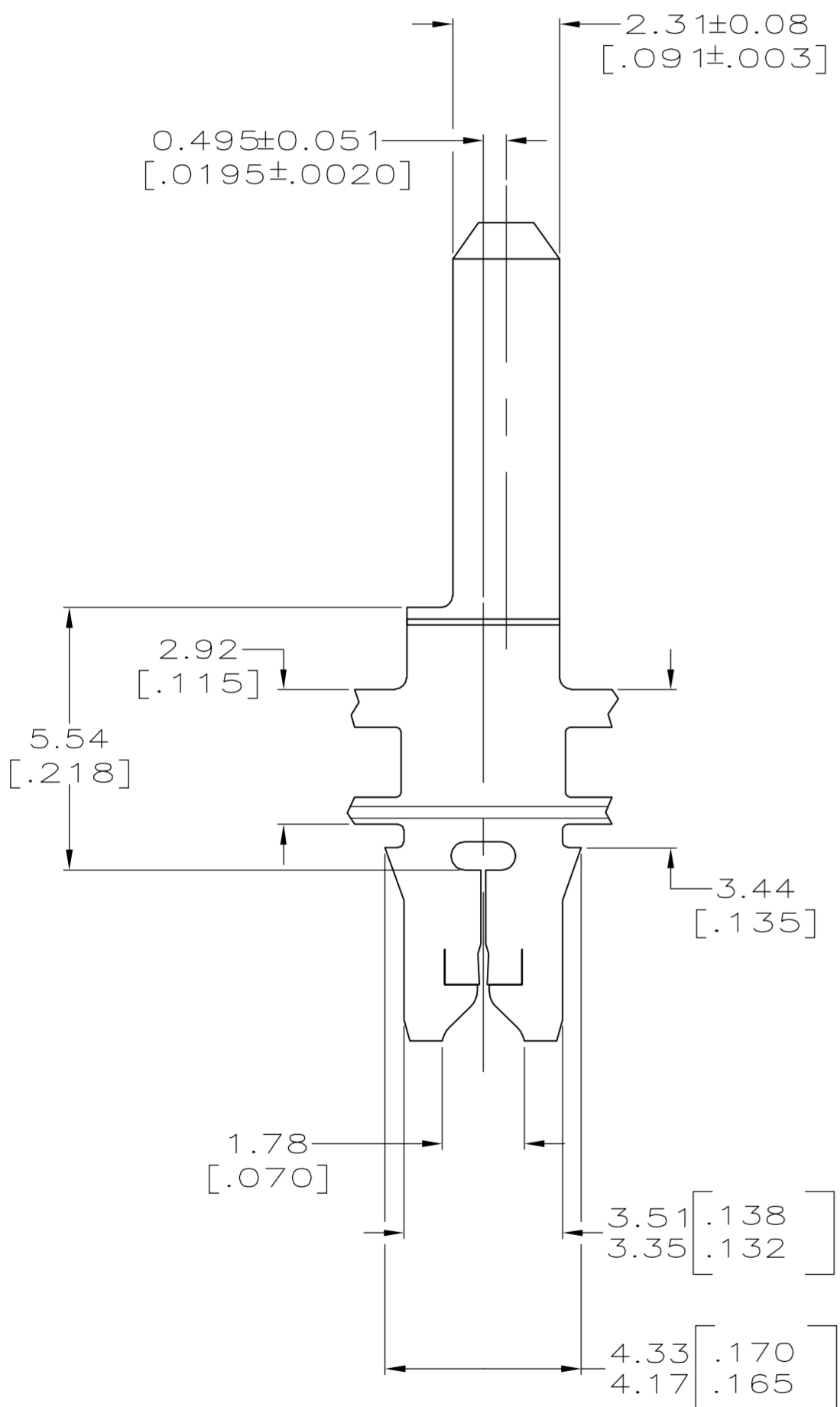


PART NUMBER 1217052-1 PART NUMBER 1217051-1



INSERTED DIMENSIONS
SCALE 2:1

- 1 CONTINUOUS STRIP ON REELS WITH TERMINALS LOCATED ON 5.59±0.08 [.220±.003] CENTERS
- 2 SLOT TERMINATES EITHER A SINGLE OR DOUBLE MAGNET WIRE OF THE SAME TYPE AND SIZE, COPPER RANGE: 0.25mm [#30] AWG.
- 3 SPECIAL PACKAGE MARKINGS—ORANGE COLOR CODE TAG NEXT TO REEL TAG



1217051-1
PART NUMBER

THIS DRAWING IS A CONTROLLED DOCUMENT.		DWN 19JAN98 MICHAEL S. FEHER	Tyco Electronics Corporation Harrisburg, PA 17105-3608	
DIMENSIONS: INCHES		CHK 20JAN98 RICHARD GRZYBOWSKI	NAME TAB, 2.31 [.091], LEFT HAND, MAG-MATE	
TOLERANCES UNLESS OTHERWISE SPECIFIED:		APVD 21JAN98 NELSON E. NEFF	PRODUCT SPEC 108-2012	
0 PLC ± -		APPLICATION SPEC 114-2046		
1 PLC ± -		SIZE A2	CAGE CODE 00779	DRAWING NO. 1217051
2 PLC ± 0.13 [.005]		RESTRICTED TO		
3 PLC ± -		SCALE 8:1		
4 PLC ± -		SHEET 1 of 1		
ANGLES ± -		REV D		
MATERIAL H04 PRE-MILLED BRASS	FINISH 0.002032 [.000080] MIN TIN PLATE	CUSTOMER DRAWING		