



Chipsmall Limited consists of a professional team with an average of over 10 year of expertise in the distribution of electronic components. Based in Hongkong, we have already established firm and mutual-benefit business relationships with customers from,Europe,America and south Asia,supplying obsolete and hard-to-find components to meet their specific needs.

With the principle of “Quality Parts,Customers Priority,Honest Operation,and Considerate Service”,our business mainly focus on the distribution of electronic components. Line cards we deal with include Microchip,ALPS,ROHM,Xilinx,Pulse,ON,Everlight and Freescale. Main products comprise IC,Modules,Potentiometer,IC Socket,Relay,Connector.Our parts cover such applications as commercial,industrial, and automotives areas.

We are looking forward to setting up business relationship with you and hope to provide you with the best service and solution. Let us make a better world for our industry!



Contact us

Tel: +86-755-8981 8866 Fax: +86-755-8427 6832

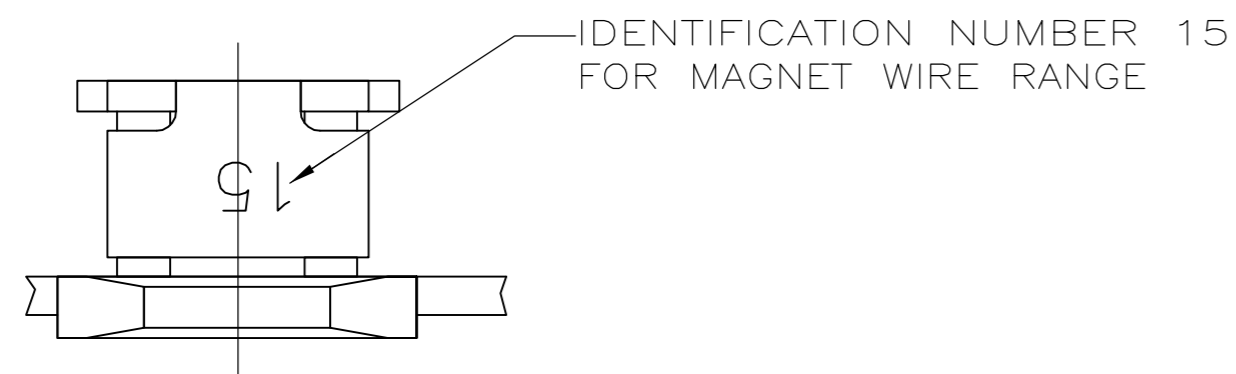
Email & Skype: info@chipsmall.com Web: www.chipsmall.com

Address: A1208, Overseas Decoration Building, #122 Zhenhua RD., Futian, Shenzhen, China

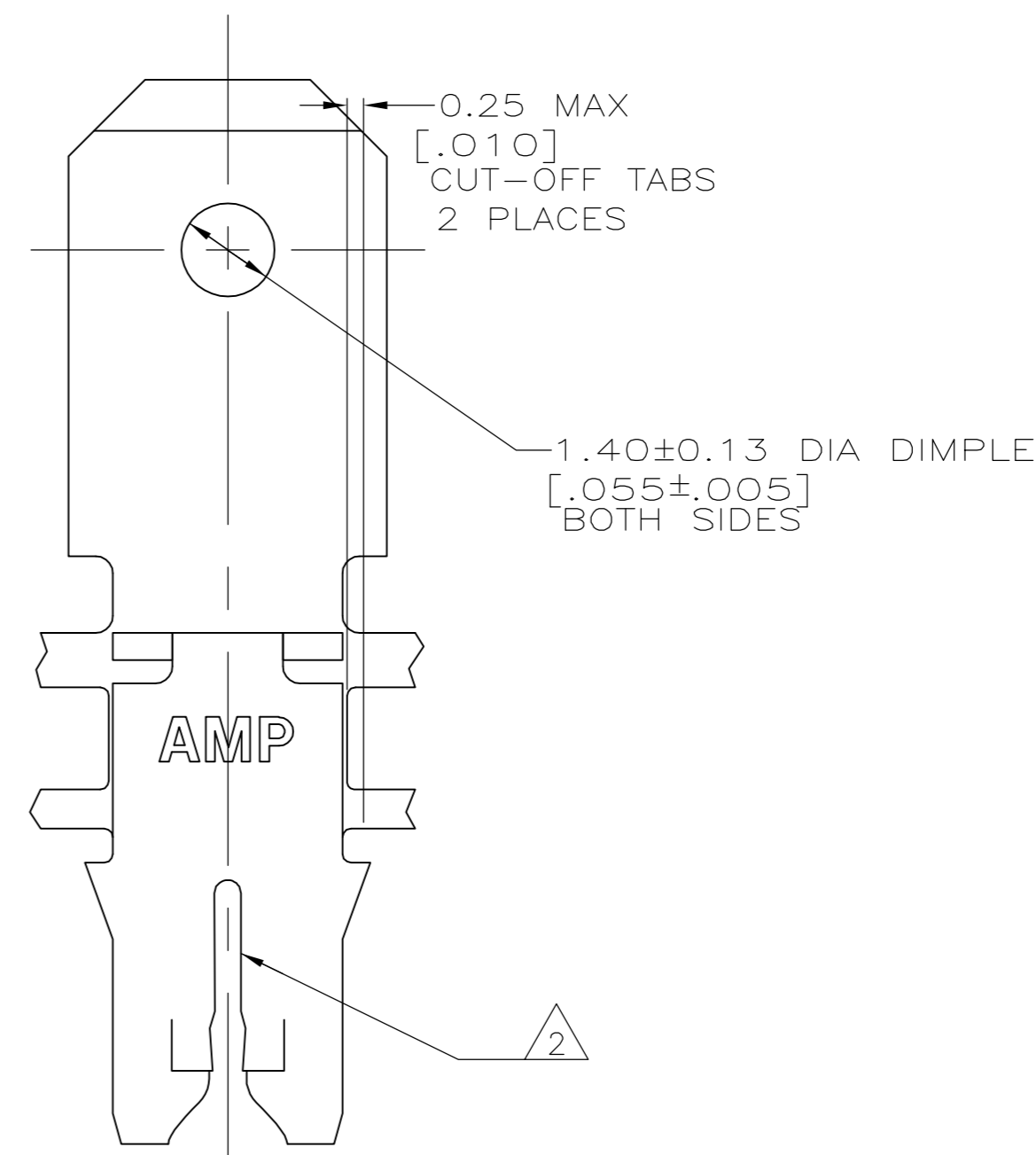
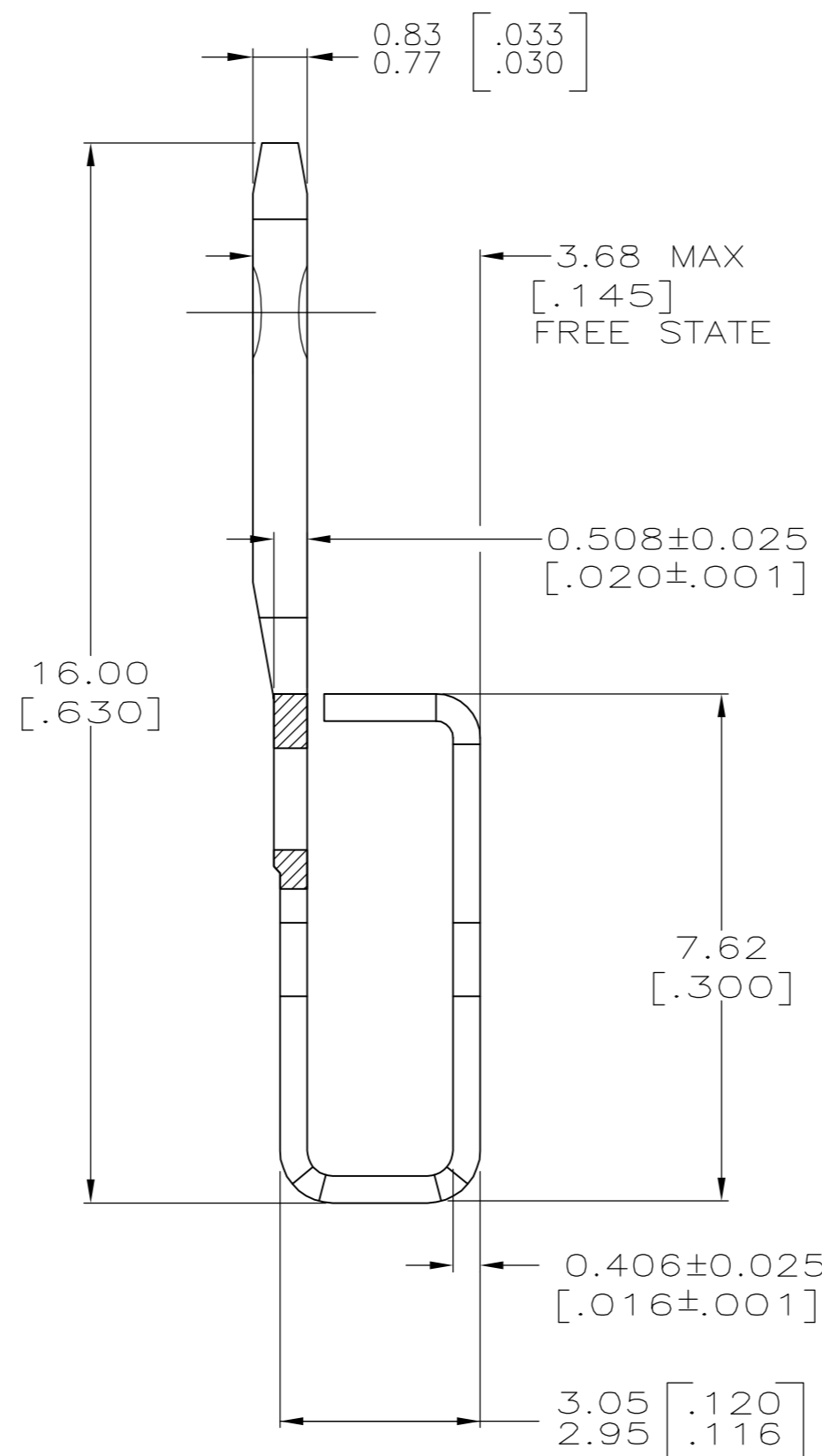
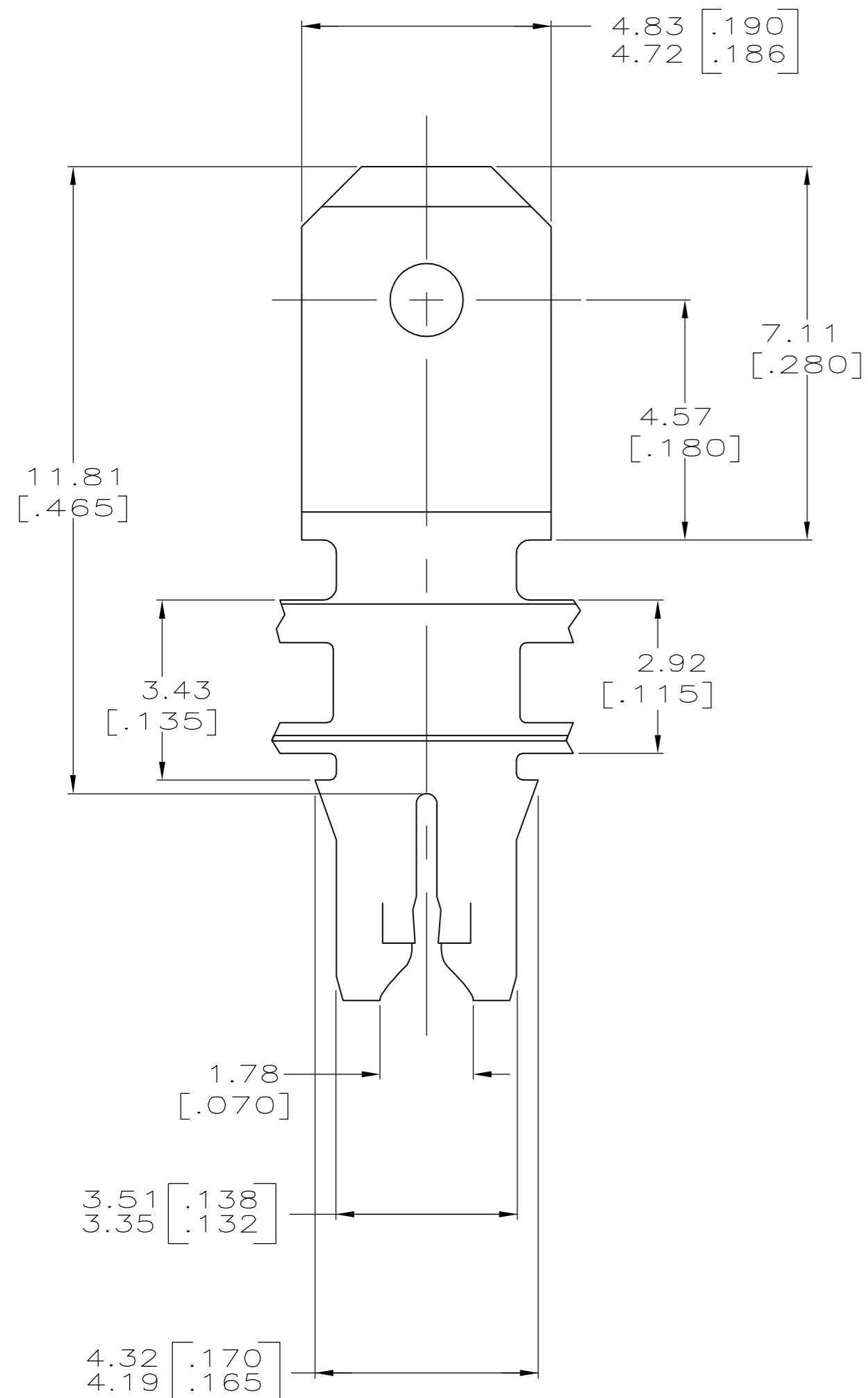


THIS DRAWING IS UNPUBLISHED. RELEASED FOR PUBLICATION
 © COPYRIGHT BY TYCO ELECTRONICS CORPORATION. ALL RIGHTS RESERVED.

LOC		DIST		REVISIONS			
P	LTR	DESCRIPTION	DATE	DWN	APVD		
AF	50						
		D	REVISED PER ECR-06-010412	26OCT06	HMR	KR	



- CONTINUOUS STRIP ON REELS WITH TERMINALS LOCATED ON 5.59±0.08 [.220±.003] CENTERS.
- SLOT ACCEPTS A SINGLE WIRE MAX OF 0.64-0.81mm [#22-#20] AWG COPPER MAGNET WIRE.
- AFTER INSERTION INTO PLASTIC HOLDER TAB PORTION MUST BE BENT OVER 45° TO 90° OR POTTED-IN TO PREVENT PULL-OUT WHEN MATING RECEPTACLE IS DISCONNECTED.



1217065-1
PART NUMBER

THIS DRAWING IS A CONTROLLED DOCUMENT.		DWN R.GRZYBOWSKI 26FEB98	tyco Tyco Electronics Corporation	
DIMENSIONS: mm [INCHES]		CHK M.S.FEHER 26FEB98	Harrisburg, PA 17105-3608	
TOLERANCES UNLESS OTHERWISE SPECIFIED:		APVD N.E.NEFF 26FEB98	NAME TERMINAL, TAB	
0 PLC ± -		PRODUCT SPEC 108-2012	4.75[.187] FASTON™	
1 PLC ± -		APPLICATION SPEC 114-2046	MAG-MATE™	
2 PLC ± 0.25[.010]		WEIGHT -	SIZE A2	CAGE CODE 00779
3 PLC ± -		FINISH 0.002032[.000080] MIN TIN	DRAWING NO C=1217065	RESTRICTED TO -
4 PLC ± -		CUSTOMER DRAWING	SCALE 10:1	SHEET 1 of 1
ANGLES ± -			REV D	