



Chipsmall Limited consists of a professional team with an average of over 10 year of expertise in the distribution of electronic components. Based in Hongkong, we have already established firm and mutual-benefit business relationships with customers from,Europe,America and south Asia,supplying obsolete and hard-to-find components to meet their specific needs.

With the principle of “Quality Parts,Customers Priority,Honest Operation,and Considerate Service”,our business mainly focus on the distribution of electronic components. Line cards we deal with include Microchip,ALPS,ROHM,Xilinx,Pulse,ON,Everlight and Freescale. Main products comprise IC,Modules,Potentiometer,IC Socket,Relay,Connector.Our parts cover such applications as commercial,industrial, and automotives areas.

We are looking forward to setting up business relationship with you and hope to provide you with the best service and solution. Let us make a better world for our industry!



Contact us

Tel: +86-755-8981 8866 Fax: +86-755-8427 6832

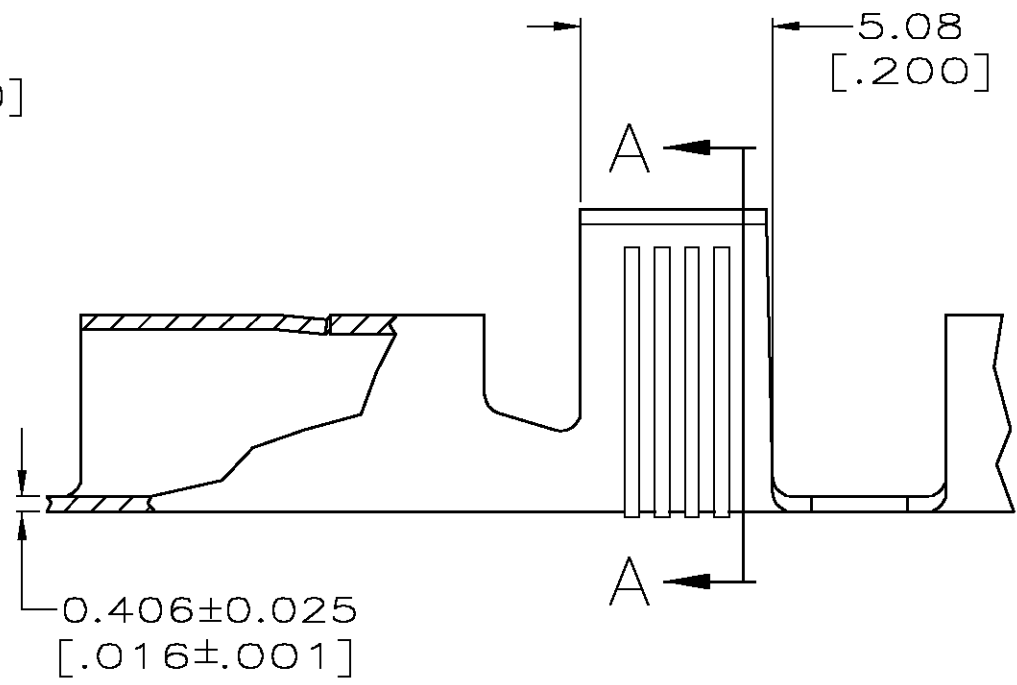
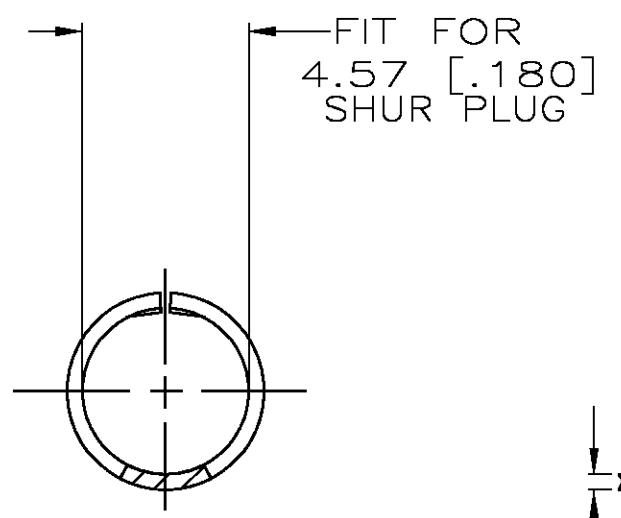
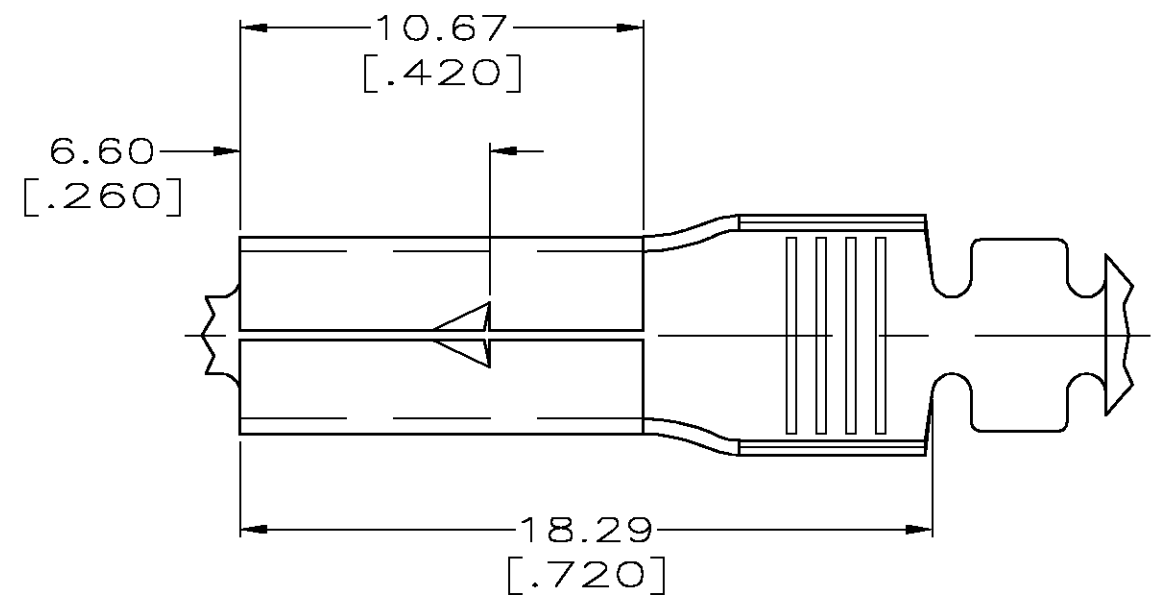
Email & Skype: info@chipsmall.com Web: www.chipsmall.com

Address: A1208, Overseas Decoration Building, #122 Zhenhua RD., Futian, Shenzhen, China

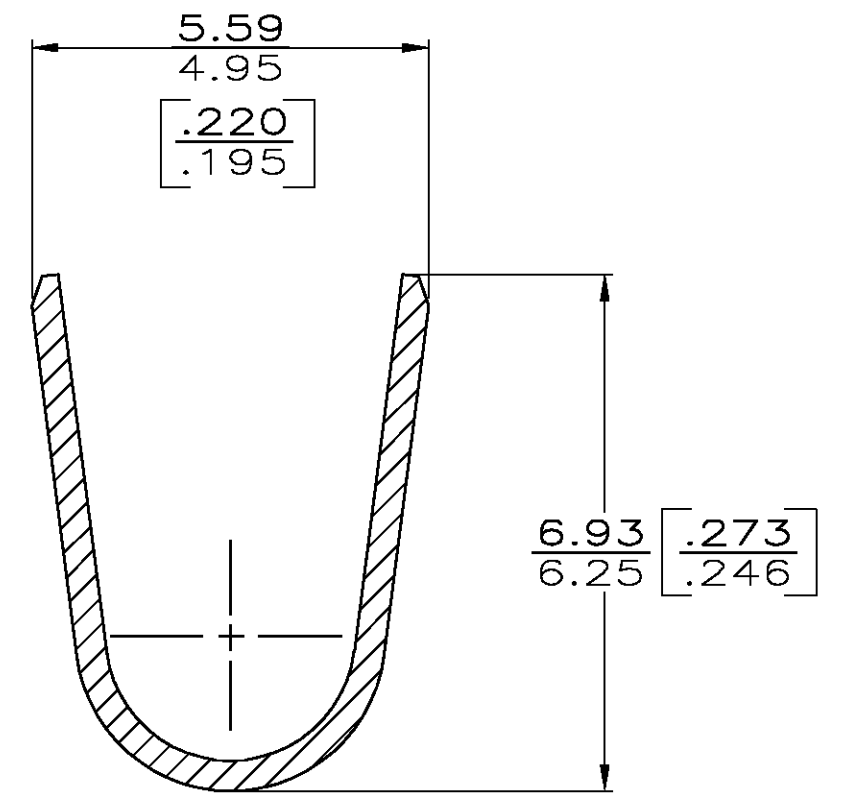


THIS DRAWING IS UNPUBLISHED. RELEASED FOR PUBLICATION
 © COPYRIGHT BY TYCO ELECTRONICS CORPORATION. ALL RIGHTS RESERVED.

LOC	DIST	REVISIONS			
P	LTR	DESCRIPTION	DATE	DWN	APVD
	C	REVISED PER 0G3A-0679-03	28OCT03	JR	GY



- 1 CONTINUOUS STRIP ON REEL.
- △2 0.002032 [.000080] MIN TIN PLATE
- △3 0.00381 [.000150] MIN NICKEL PLATE
- △4 PRELIMINARY - NOT FOR PRODUCTION



SECTION A-A
SCALE 10:1

12-8 AWG	△3	△4 1217070-2
12-8 AWG	△2	1217070-1
WIRE RANGE	FINISH	PART NUMBER

THIS DRAWING IS A CONTROLLED DOCUMENT.		DWN PHILLIP M FORTNEY 23/FEB/98	Tyco Electronics Corporation Harrisburg, PA 17105	
DIMENSIONS: MM		CHK JEFF R RUTH 23/FEB/98		
TOLERANCES UNLESS OTHERWISE SPECIFIED:		APVD GARY YETTER 23/FEB/98	NAME RECEPTACLE, SHUR PLUG, 4.57 [.180] DIA	
0 PLC ± - 1 PLC ± - 2 PLC ± 0.25 [.010] 3 PLC ± - 4 PLC ± - ANGLES ± -		PRODUCT SPEC -	SIZE A3	
MATERIAL 4M BRASS		FINISH SEE TABLE	CAGE CODE 00779	DRAWING NO C-1217070
CUSTOMER DRAWING			RESTRICTED TO -	SCALE 5:1
			SHEET 1 OF 1	REV C