



Chipsmall Limited consists of a professional team with an average of over 10 year of expertise in the distribution of electronic components. Based in Hongkong, we have already established firm and mutual-benefit business relationships with customers from,Europe,America and south Asia,supplying obsolete and hard-to-find components to meet their specific needs.

With the principle of “Quality Parts,Customers Priority,Honest Operation,and Considerate Service”,our business mainly focus on the distribution of electronic components. Line cards we deal with include Microchip,ALPS,ROHM,Xilinx,Pulse,ON,Everlight and Freescale. Main products comprise IC,Modules,Potentiometer,IC Socket,Relay,Connector.Our parts cover such applications as commercial,industrial, and automotives areas.

We are looking forward to setting up business relationship with you and hope to provide you with the best service and solution. Let us make a better world for our industry!



Contact us

Tel: +86-755-8981 8866 Fax: +86-755-8427 6832

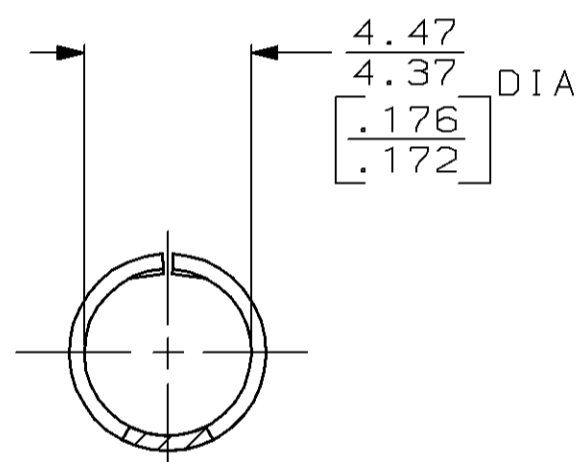
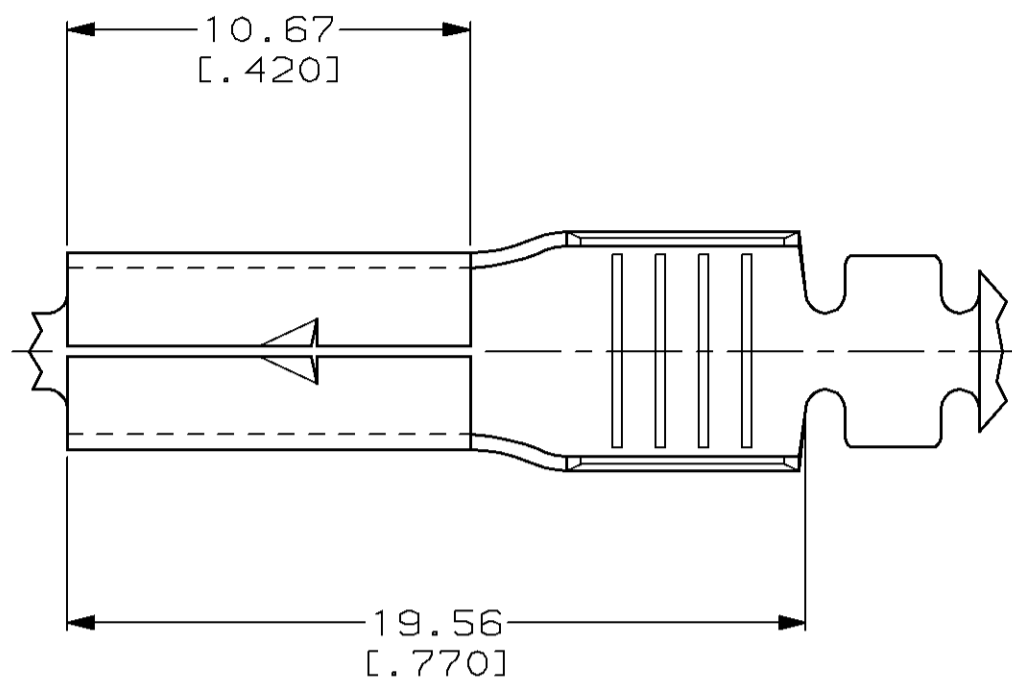
Email & Skype: info@chipsmall.com Web: www.chipsmall.com

Address: A1208, Overseas Decoration Building, #122 Zhenhua RD., Futian, Shenzhen, China

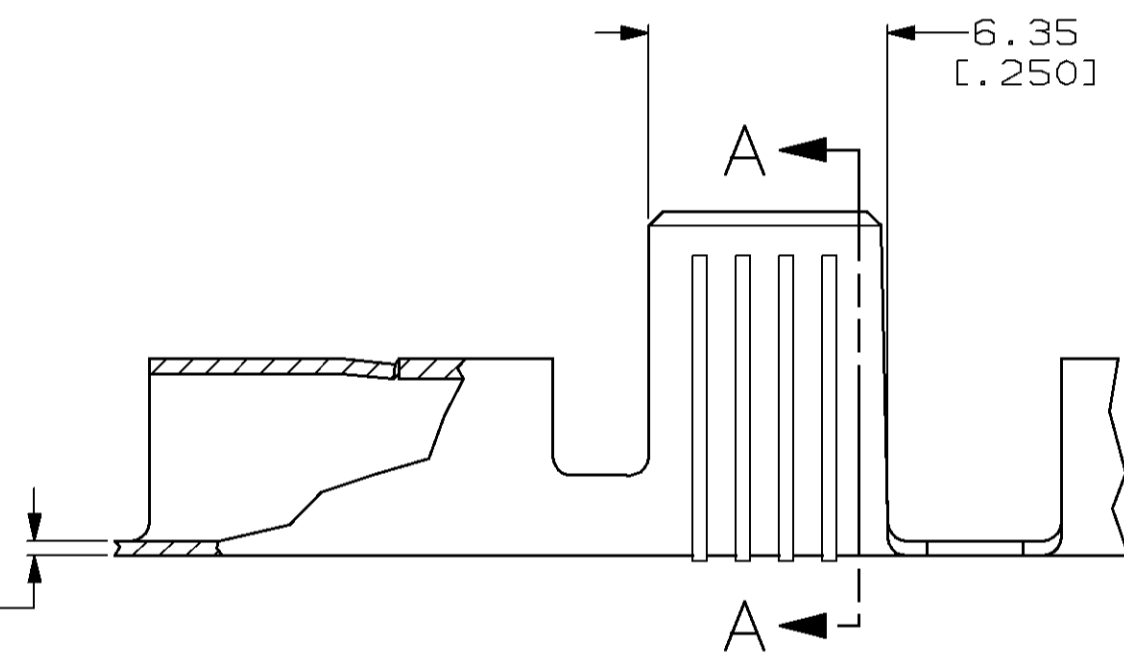


THIS DRAWING IS UNPUBLISHED. RELEASED FOR PUBLICATION
 BY AMP INCORPORATED. ALL RIGHTS RESERVED.

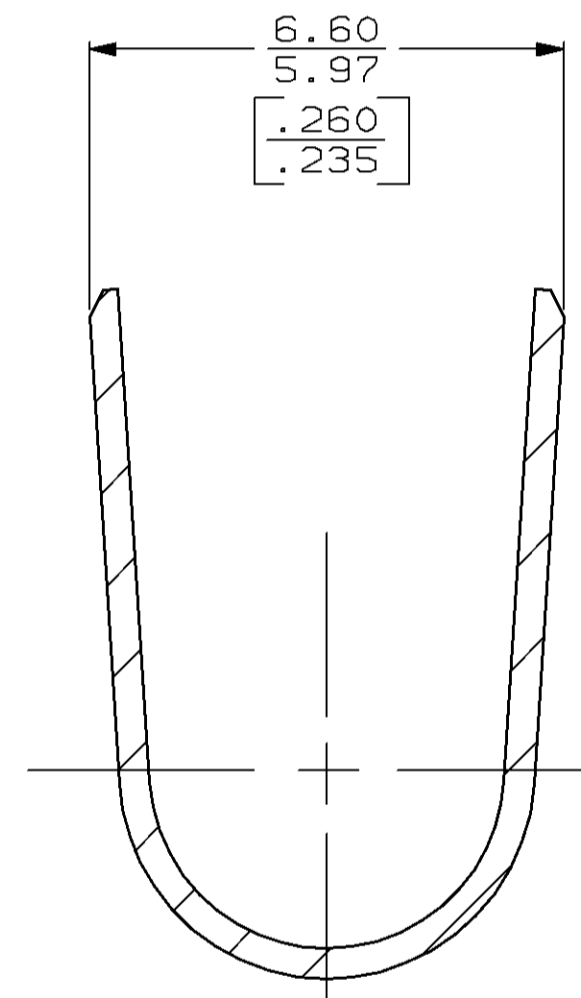
LOC		DIST		REVISIONS			
P	LTR	DESCRIPTION		DATE	DWN	APVD	
AF	50	B		ADDED -2 PER OG1A-0244-98	7/23/98	JR	GY



0.406±0.025
 [.016±.001]



- 1 CONTINUOUS STRIP ON REEL.
- 2 WIRE SIZE IS FOR TWO #8 AWG.



SECTION A-A
 SCALE 10:1

0.002032 [.000080] MIN TIN	1217074-2
-	1217074-1
FINISH	PART NUMBER

THIS DRAWING IS A CONTROLLED DOCUMENT.		DWN	JR RUTH	3/9/98
DIMENSIONS: mm [INCHES]		CHK	P FORTNEY	3/9/98
TOLERANCES UNLESS OTHERWISE SPECIFIED:		APVD	GARY YETTER	3/9/98
0 PLC	±-	PRODUCT SPEC	-	
1 PLC	±-	APPLICATION SPEC	-	
2 PLC	±0.25 [.010]	WEIGHT	-	
3 PLC	±-	CUSTOMER DRAWING	-	
4 PLC	±-	SCALE	5:1	
ANGLES	±-	SHEET	1 OF 1	
FINISH	-	REV	B	
MATERIAL	4M BRASS	SIZE	A2	
		CAGE CODE	00779	
		DRAWING NO	C=1217074	
		RESTRICTED TO	-	

AMP AMP Incorporated
 Harrisburg, PA 17105-3608
RECEPTACLE, SHUR PLUG,
 4.57 [.180] DIA