



Chipsmall Limited consists of a professional team with an average of over 10 year of expertise in the distribution of electronic components. Based in Hongkong, we have already established firm and mutual-benefit business relationships with customers from,Europe,America and south Asia,supplying obsolete and hard-to-find components to meet their specific needs.

With the principle of “Quality Parts,Customers Priority,Honest Operation,and Considerate Service”,our business mainly focus on the distribution of electronic components. Line cards we deal with include Microchip,ALPS,ROHM,Xilinx,Pulse,ON,Everlight and Freescale. Main products comprise IC,Modules,Potentiometer,IC Socket,Relay,Connector.Our parts cover such applications as commercial,industrial, and automotives areas.

We are looking forward to setting up business relationship with you and hope to provide you with the best service and solution. Let us make a better world for our industry!



Contact us

Tel: +86-755-8981 8866 Fax: +86-755-8427 6832

Email & Skype: info@chipsmall.com Web: www.chipsmall.com

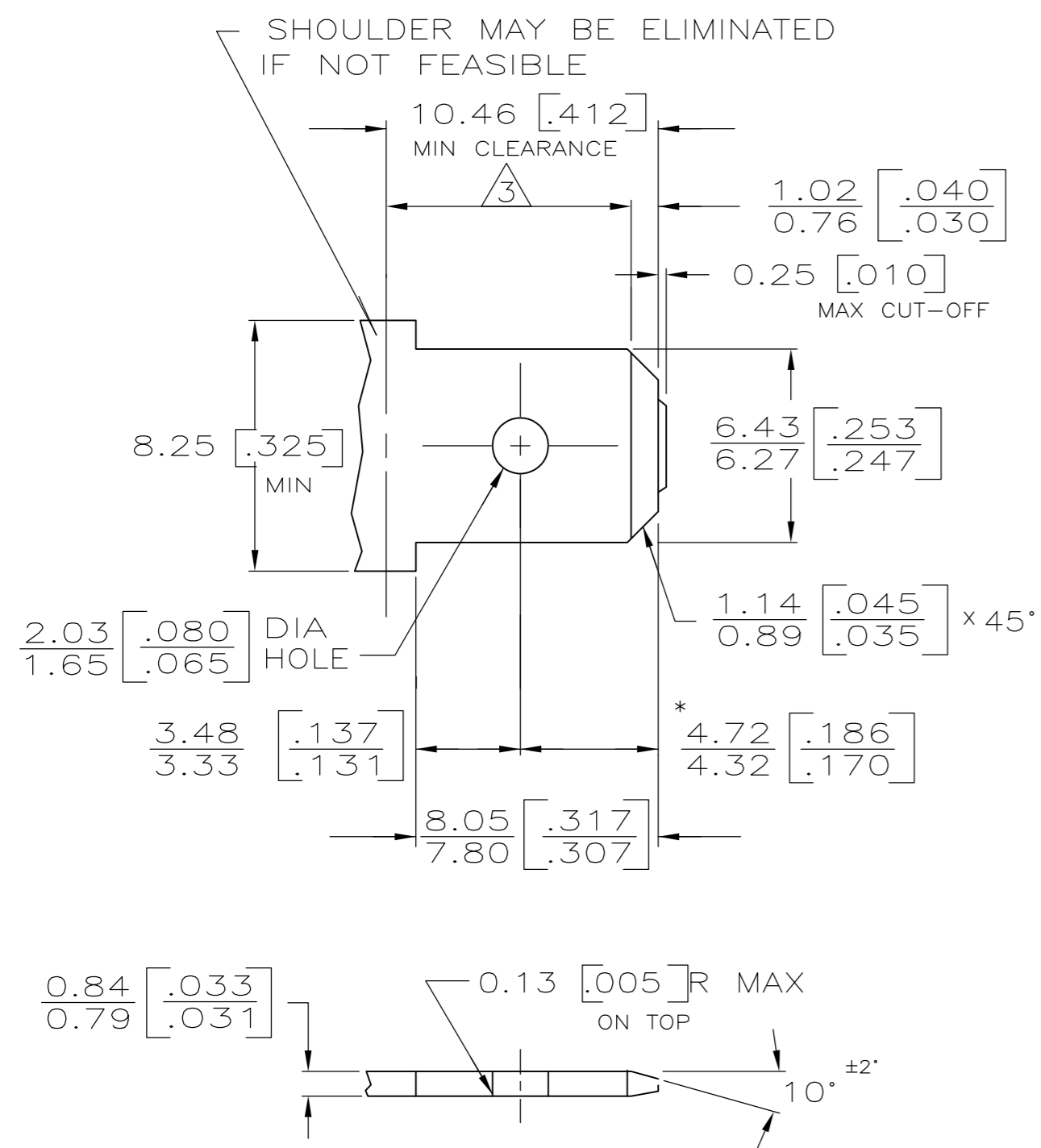
Address: A1208, Overseas Decoration Building, #122 Zhenhua RD., Futian, Shenzhen, China



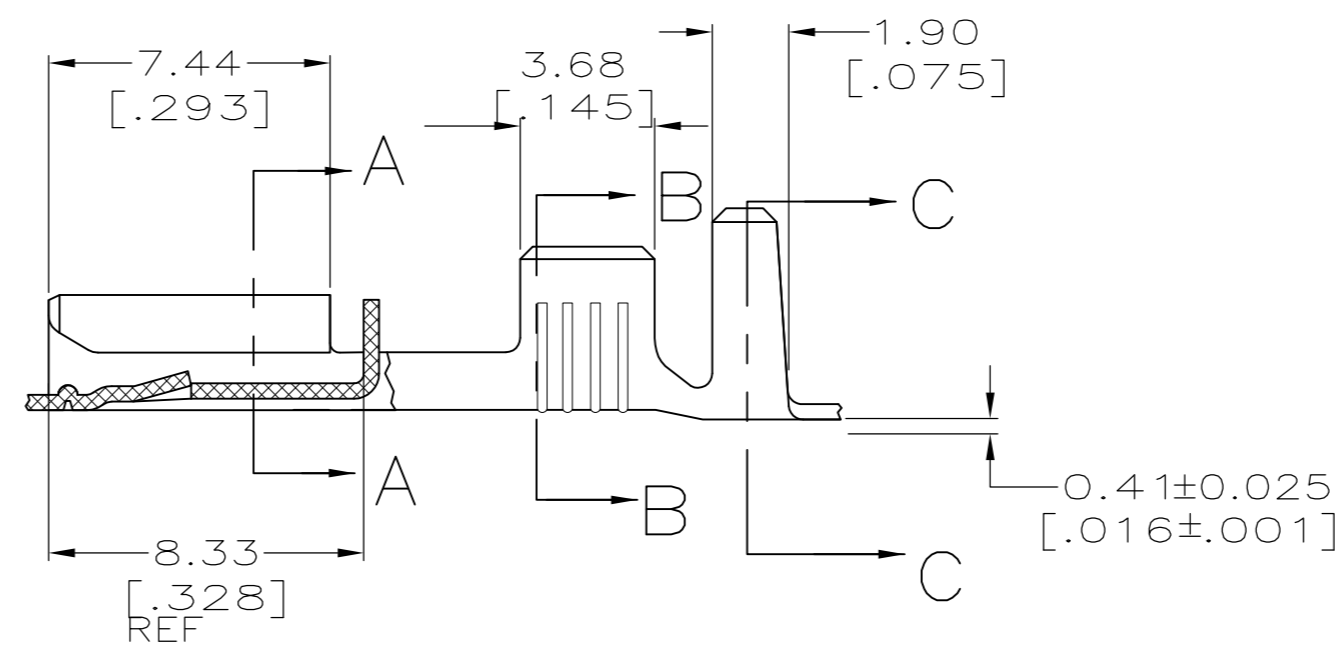
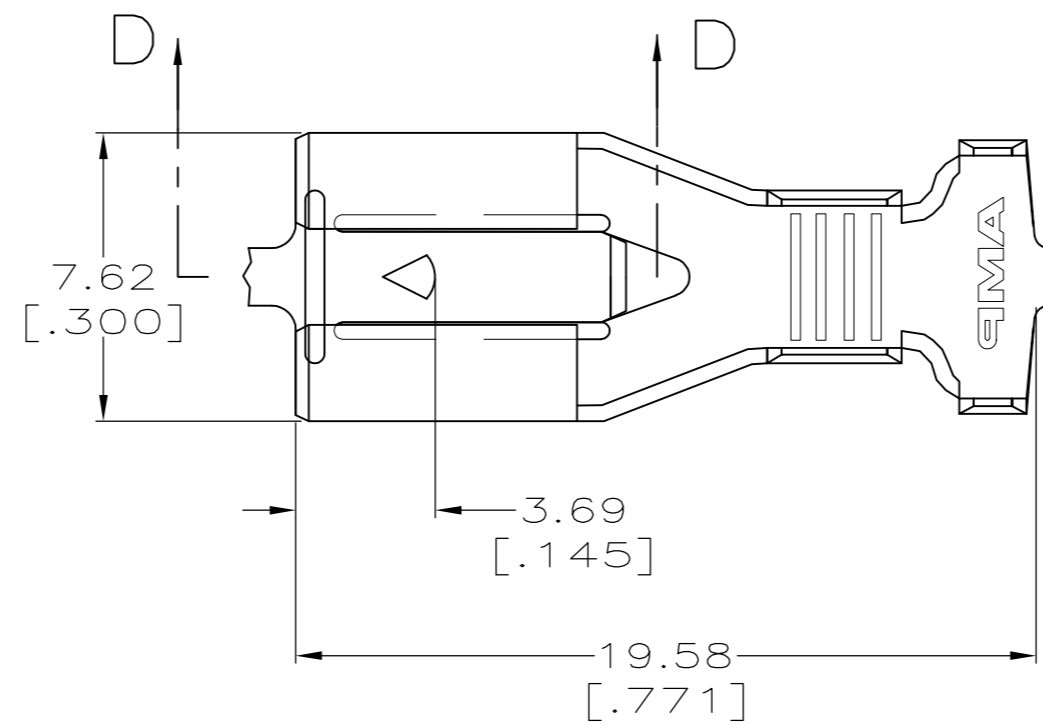
THIS DRAWING IS UNPUBLISHED. RELEASED FOR PUBLICATION
 © COPYRIGHT - By - ALL RIGHTS RESERVED.

LOC		DIST		REVISIONS			
P	LTR	DESCRIPTION	DATE	DWN	APVD		
AF	50	C	REVISD PER ECR-12-013486	09JAN13	KH	KR	

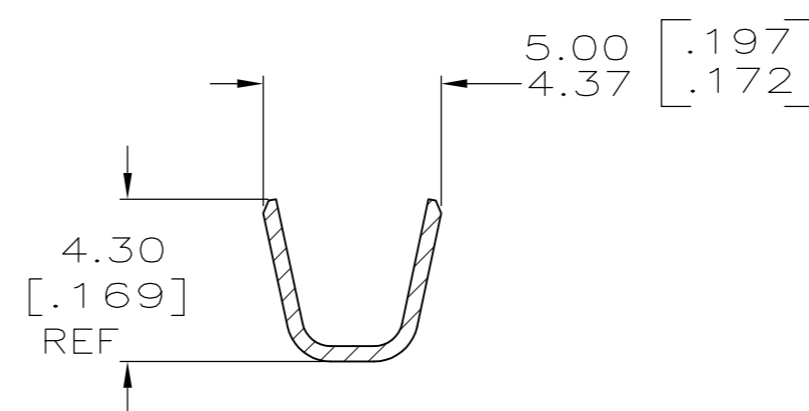
SUGGESTED MATING TAB



- MATL: 1/2H BRASS OR NICKEL PL STEEL.
- NO BURRS PERMISSIBLE AT HOLE.
MUST BE FLAT WITHIN 0.076 [.003] OVER THIS LENGTH.
- TIN PLATING IS REQUIRED ON BRASS WHEN TERMINAL TEMP. IS OVER 225° F
- HOLE MUST BE SYMMETRICAL ABOUT TAB Q WITHIN 0.076 [.003]
- * TO BE USED ONLY WHEN SHOULDER IS ELIMINATED.

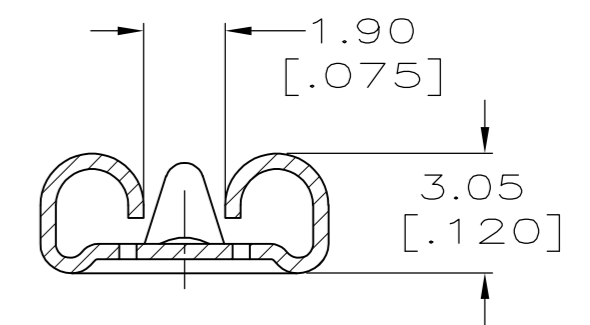


SECTION D-D

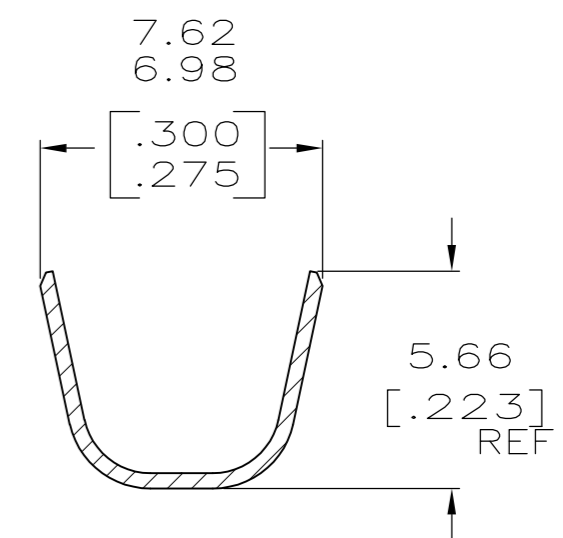


SECTION B-B

- CONTINUOUS STRIP ON REELS.
- ACCEPTS [#16-#12] SINGLE WIRE SIZES AND COMBINATIONS OF TWO[#16'S] OR TWO[#18'S] OR ONE[#16 WITH ONE#18]. WIRE CRIMP WIDTH IS .140, F TYPE
- FITS INSULATION RANGE 3.05-4.32 [.120-.170] DIA OR TWO AT 3.05 [.120] MAX. INSULATION CRIMP WIDTH .240 F TYPE



SECTION A-A



SECTION C-C

TIN PLATE	1217092-2
-	1217092-1
FINISH	PART NO.

THIS DRAWING IS A CONTROLLED DOCUMENT.		DWN	JR RUTH	6/3/98	 TE Connectivity							
DIMENSIONS: mm [INCHES]		CHK	MS FEHER	6/3/98								
TOLERANCES UNLESS OTHERWISE SPECIFIED:		APVD	D BRATINA	6/3/98								
0 PLC ± - 1 PLC ± - 2 PLC ± 0.25 [.010] 3 PLC ± - 4 PLC ± - ANGLES ± -		PRODUCT SPEC	RECEPTACLE, POSITIVE LOCK, 6.35 [.250] SERIES									
MATERIAL	BRASS	FINISH	SEE TABLE	114-2061	SIZE	A2	CAGE CODE	00779	DRAWING NO	C=1217092	RESTRICTED TO	-
CUSTOMER DRAWING		WEIGHT	-	SCALE	5:1	SHEET	1 OF 1	REV	C			