



Chipsmall Limited consists of a professional team with an average of over 10 year of expertise in the distribution of electronic components. Based in Hongkong, we have already established firm and mutual-benefit business relationships with customers from,Europe,America and south Asia,supplying obsolete and hard-to-find components to meet their specific needs.

With the principle of “Quality Parts,Customers Priority,Honest Operation,and Considerate Service”,our business mainly focus on the distribution of electronic components. Line cards we deal with include Microchip,ALPS,ROHM,Xilinx,Pulse,ON,Everlight and Freescale. Main products comprise IC,Modules,Potentiometer,IC Socket,Relay,Connector.Our parts cover such applications as commercial,industrial, and automotives areas.

We are looking forward to setting up business relationship with you and hope to provide you with the best service and solution. Let us make a better world for our industry!



Contact us

Tel: +86-755-8981 8866 Fax: +86-755-8427 6832

Email & Skype: info@chipsmall.com Web: www.chipsmall.com

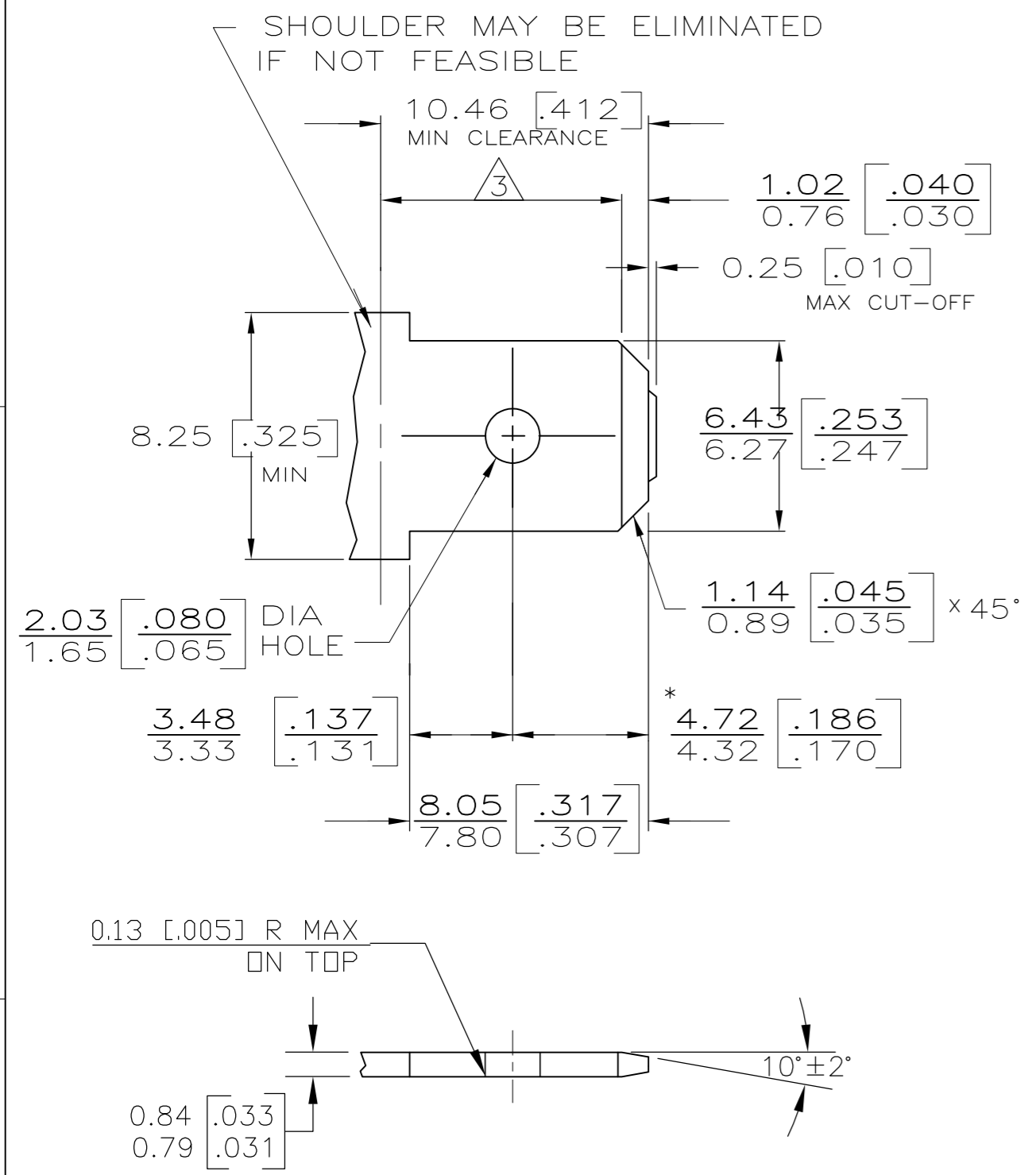
Address: A1208, Overseas Decoration Building, #122 Zhenhua RD., Futian, Shenzhen, China



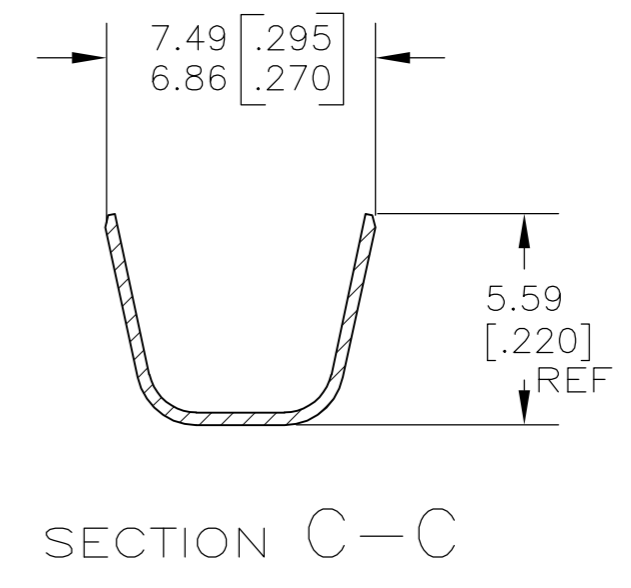
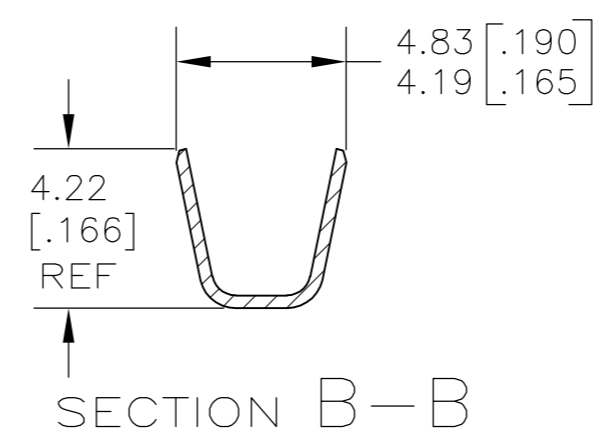
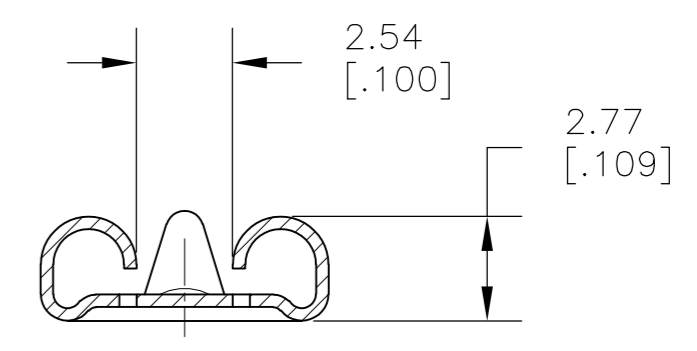
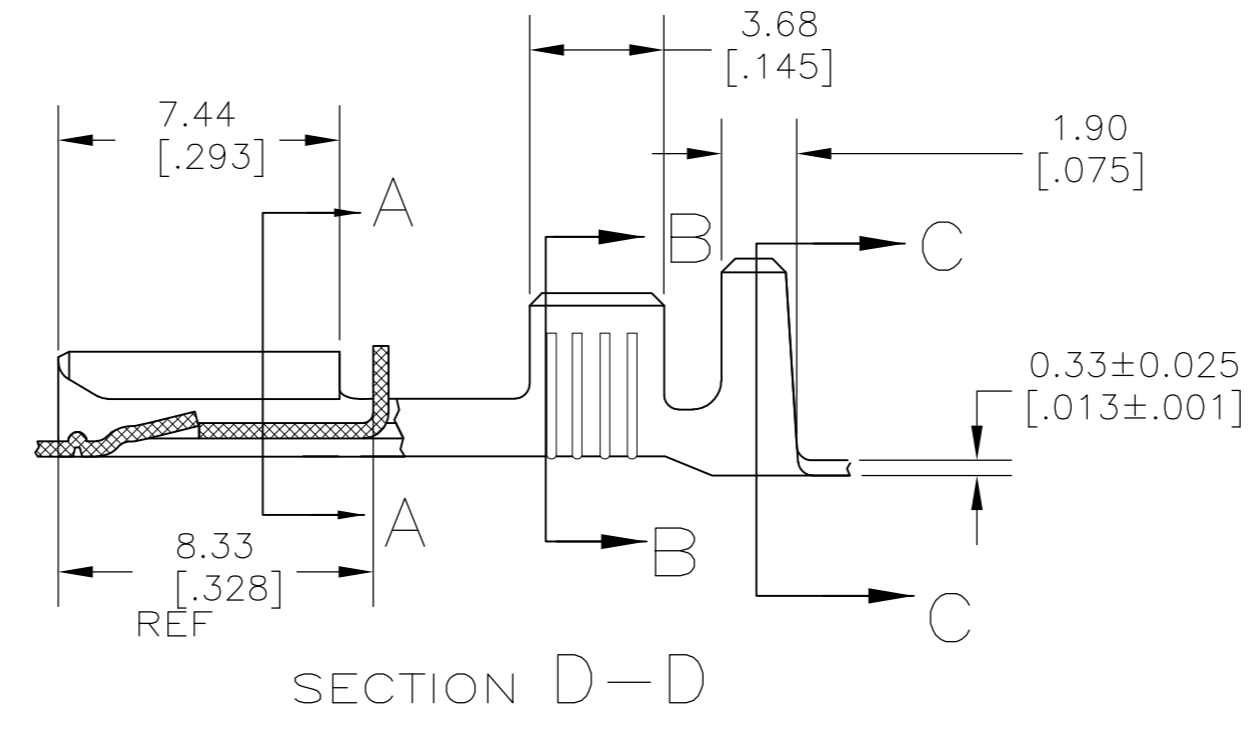
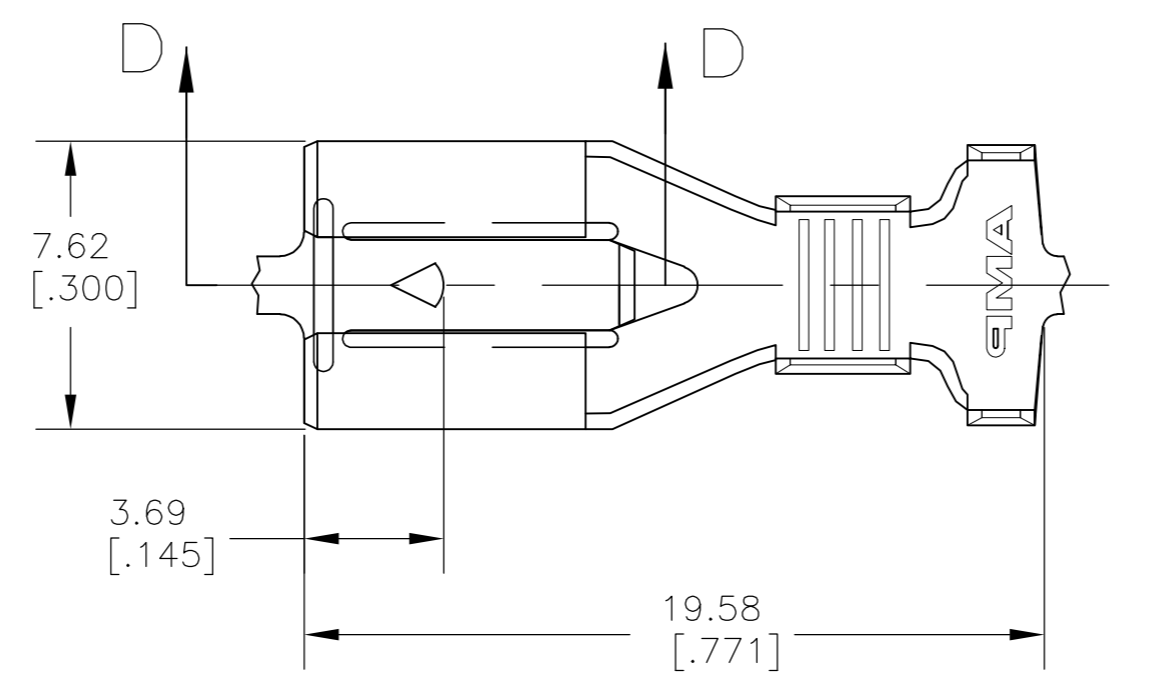
THIS DRAWING IS UNPUBLISHED. RELEASED FOR PUBLICATION
 © COPYRIGHT - By - ALL RIGHTS RESERVED.

LOC		DIST		REVISIONS			
P	LTR	DESCRIPTION		DATE	DWN	APVD	
AF	50	B2	REL PER ECR 11-022490	04NOV11	JR	JH	

SUGGESTED MATING TAB



- 1 - MATL: 1/2H BRASS OR NICKEL PL STEEL.
 - 2 - NO BURRS PERMISSIBLE AT HOLE.
 - 3 - MUST BE FLAT WITHIN 0.076 [.003] OVER THIS LENGTH.
 - 4 - TIN PLATING IS REQUIRED ON BRASS WHEN TERMINAL TEMP. IS OVER 225°F.
 - 5 - HOLE MUST BE SYMMETRICAL ABOUT TAB Q WITHIN 0.076 [.003]
- * TO BE USED ONLY WHEN SHOULDER IS ELIMINATED.



- 1 CONTINUOUS STRIP ON REELS.
 - 2 ACCEPTS [#16-#12] SINGLE WIRE SIZES AND COMBINATIONS OF TWO[#16'S] OR TWO[#18'S] OR ONE[#16 WITH ONE#18]. WIRE CRIMP WIDTH IS .140, F TYPE
 - 3 FITS INSULATION RANGE 3.05-4.32 [.120-.170] DIA OR TWO AT 3.05 [.120] MAX. INSULATION CRIMP WIDTH .240 F TYPE
- 4 PRELIMINARY - NOT FOR PRODUCTION

4	SILVER 0.00381 [.000150] MIN	1217095-3
	TIN 0.002032 [.000080] MIN	1217095-2
	-	1217095-1
	FINISH	PART NO

THIS DRAWING IS A CONTROLLED DOCUMENT.		DWN	JR RUTH	6/19/98		TE Connectivity		
DIMENSIONS: mm [INCHES]		CHK	MS FEHER	6/19/98		RECEPTACLE, POSITIVE LOCK, 6.35 [.250] SERIES		
TOLERANCES UNLESS OTHERWISE SPECIFIED:		APVD	J GILLESPIE	6/19/98		SIZE	CAGE CODE	DRAWING NO
0 PLC ± -		PRODUCT SPEC				A2	00779	C=1217095
1 PLC ± -		APPLICATION SPEC	114-2074		WEIGHT	-		
2 PLC ± 0.25 [.010]		MATERIAL	H06 BRASS		FINISH	SEE TABLE		
3 PLC ± -		CUSTOMER DRAWING		SCALE	5:1			
4 PLC ± -				SHEET	1 of 1			
ANGLES ± -				REV	B2			