



Chipsmall Limited consists of a professional team with an average of over 10 year of expertise in the distribution of electronic components. Based in Hongkong, we have already established firm and mutual-benefit business relationships with customers from,Europe,America and south Asia,supplying obsolete and hard-to-find components to meet their specific needs.

With the principle of "Quality Parts,Customers Priority,Honest Operation,and Considerate Service",our business mainly focus on the distribution of electronic components. Line cards we deal with include Microchip,ALPS,ROHM,Xilinx,Pulse,ON,Everlight and Freescale. Main products comprise IC,Modules,Potentiometer,IC Socket,Relay,Connector.Our parts cover such applications as commercial,industrial, and automotives areas.

We are looking forward to setting up business relationship with you and hope to provide you with the best service and solution. Let us make a better world for our industry!



## Contact us

Tel: +86-755-8981 8866 Fax: +86-755-8427 6832

Email & Skype: info@chipsmall.com Web: www.chipsmall.com

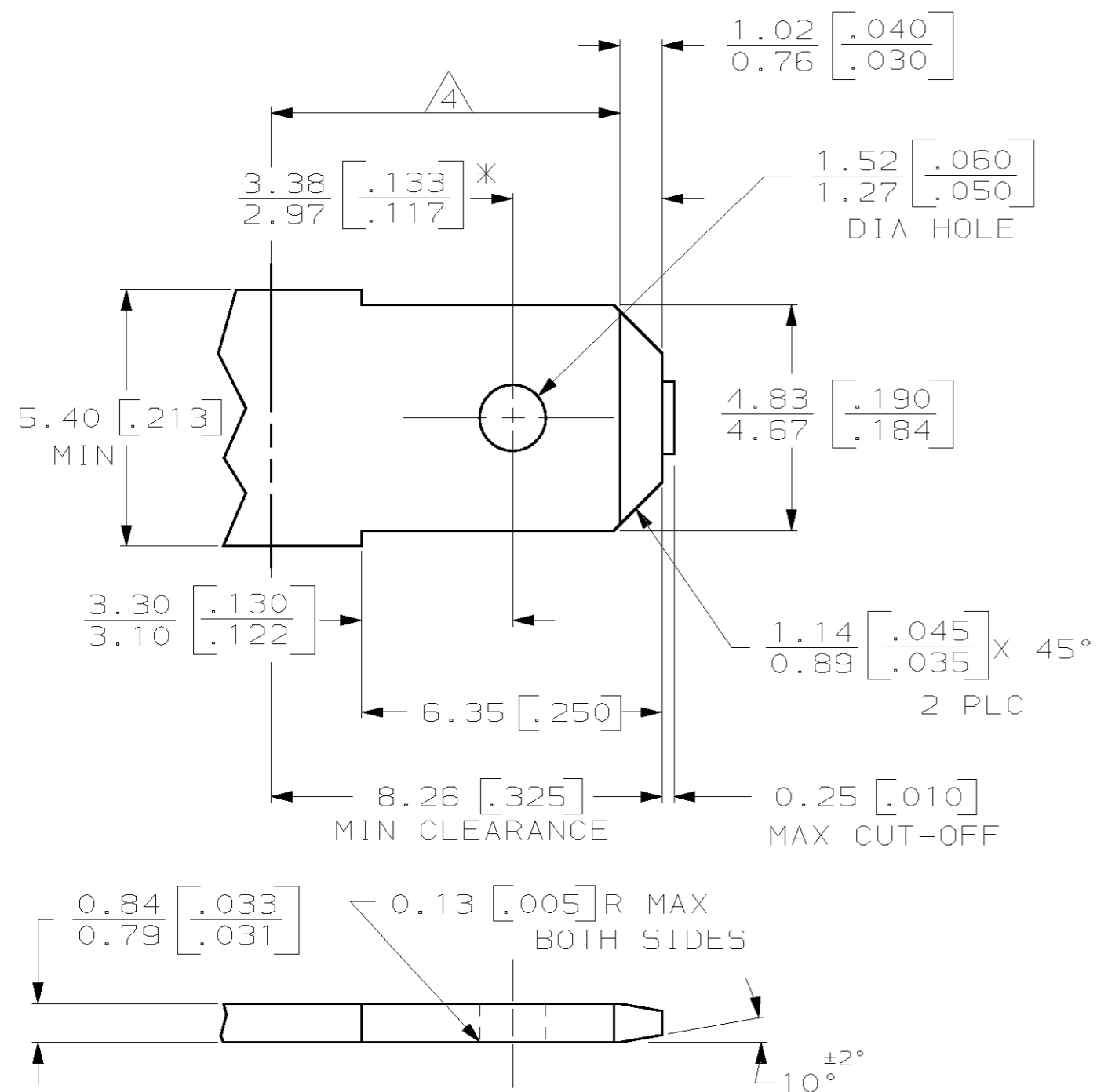
Address: A1208, Overseas Decoration Building, #122 Zhenhua RD., Futian, Shenzhen, China



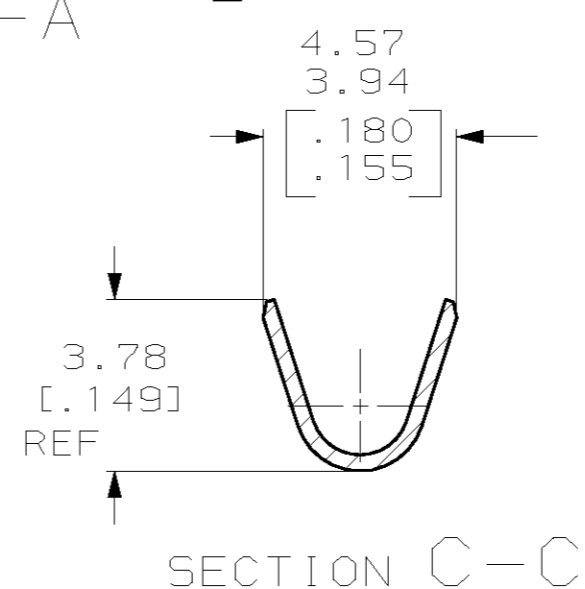
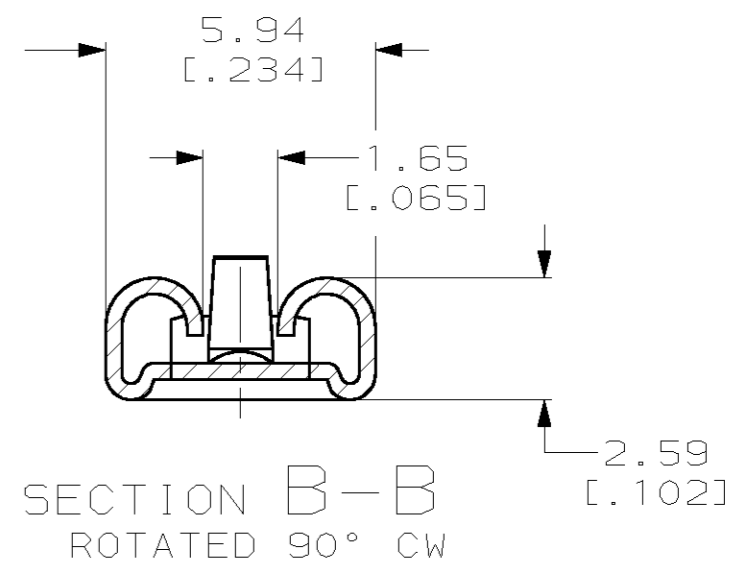
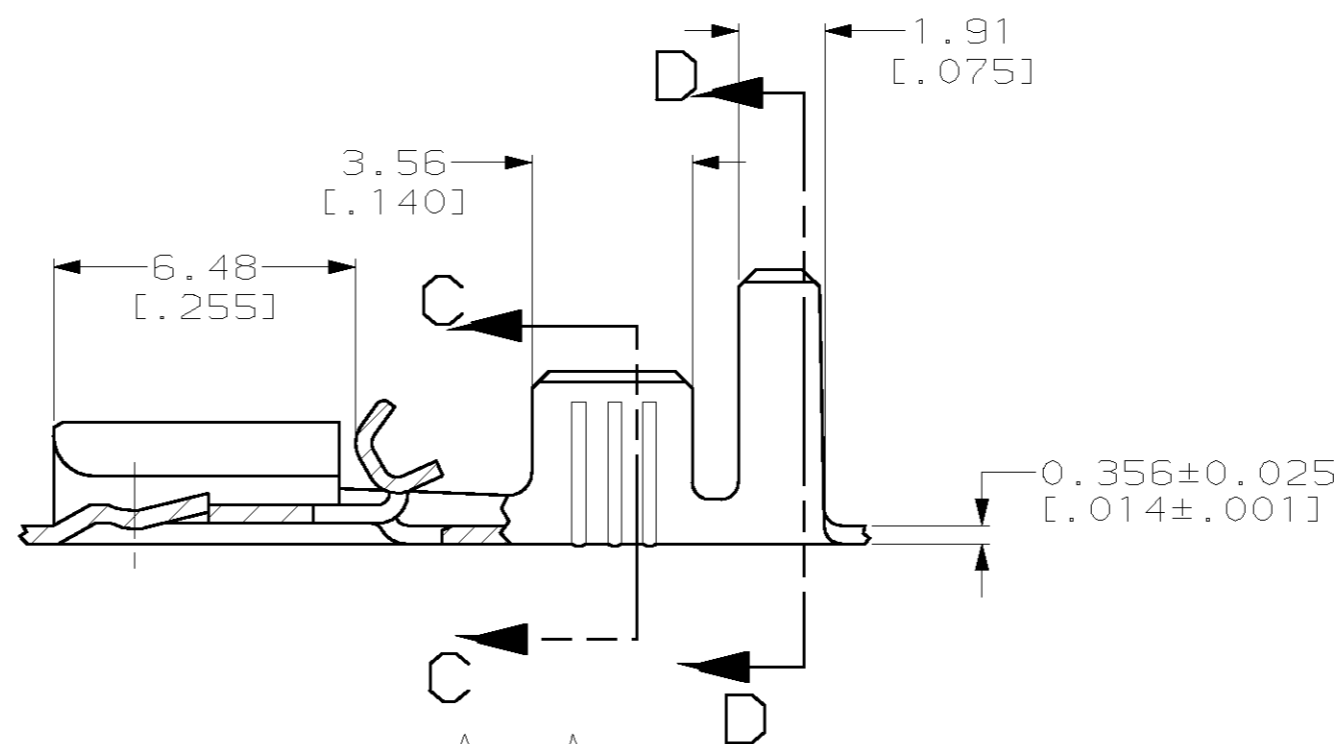
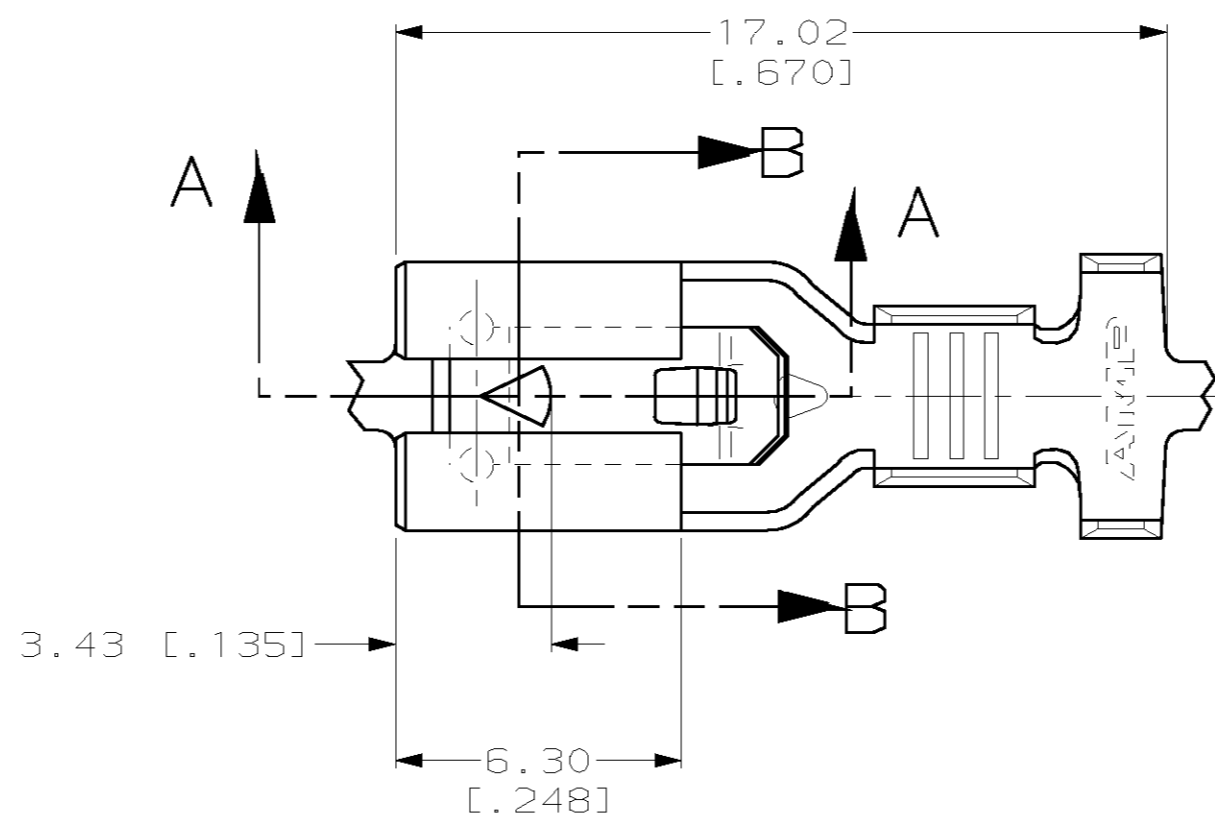
THIS DRAWING IS UNPUBLISHED. RELEASED FOR PUBLICATION .19  
 © COPYRIGHT 19 BY AMP INCORPORATED. ALL RIGHTS RESERVED.

LOC	DIST	REVISIONS			
P	LTR	DESCRIPTION	DATE	DWN	APVD
AF	50	C	REV PER 0G3A-0242-00	28JUL00	JR EH

SUGGESTED MATING TAB



- MATL: #2 HARD BRASS OR NICKEL PLATE STEEL.
  - NO BURRS PERMISSIBLE AT HOLE.
  - TIN PLATING IS REQUIRED ON BRASS WHEN TERMINAL TEMPERATURE IS OVER 225°F.
  - MUST BE FLAT WITHIN 0.076 [0.003] OVER THIS LENGTH.
  - HOLE MUST BE SYMMETRICAL ABOUT TAB  $\phi$  WITHIN 0.076 [0.003].
- \* TO BE USED ONLY WHEN SHOULDER IS ELIMINATED.



- CONTINUOUS STRIP ON REELS.
- ACCEPTS [#18-#14] SINGLE WIRE SIZES AND COMBINATION OF TWO [#18'5]. WIRE CRIMP IS 3.05 [0.120], F TYPE
- FITS INSULATION RANGE OF 3.81-5.08 [0.150-.200] DIA OR TWO WIRES AT 2.79 [0.110] MAX DIA. INSULATION CRIMP IS 5.59 [0.220], F TYPE

0.002032 [0.000800] MIN TIN	1217096-2
-	1217096-1
FINISH	PART NO.

THIS DRAWING IS A CONTROLLED DOCUMENT.		DWN	JR RUTH	6/26/98
DIMENSIONS: MM (INCHES)		CHK	MS FEHER	6/26/98
TOLERANCES UNLESS OTHERWISE SPECIFIED:		APVD	E HOWARD	6/26/98
0 PLC	±-	PRODUCT SPEC	-	
1 PLC	±-	APPLICATION SPEC	-	
2 PLC	±0.25 [0.010]	WEIGHT	-	
3 PLC	±-	CUSTOMER DRAWING	-	
4 PLC	±-	SCALE	6:1	
ANGLES	±-	SHEET	1 OF 1	
FINISH	SEE TABLE	REV	C	
MATERIAL	H06 BRASS	SIZE	A2	00779
		CAGE CODE	C-1217096	
		DRAWING NO	1217096	
		RESTRICTED TO	-	

**AMP** AMP Incorporated  
 Harrisburg, PA 17105-3608  
**RECEPTACLE, POSITIVE-LOCK, MARK III, 4.75 [0.187] SERIES**