



Chipsmall Limited consists of a professional team with an average of over 10 year of expertise in the distribution of electronic components. Based in Hongkong, we have already established firm and mutual-benefit business relationships with customers from,Europe,America and south Asia,supplying obsolete and hard-to-find components to meet their specific needs.

With the principle of "Quality Parts,Customers Priority,Honest Operation,and Considerate Service",our business mainly focus on the distribution of electronic components. Line cards we deal with include Microchip,ALPS,ROHM,Xilinx,Pulse,ON,Everlight and Freescale. Main products comprise IC,Modules,Potentiometer,IC Socket,Relay,Connector.Our parts cover such applications as commercial,industrial, and automotives areas.

We are looking forward to setting up business relationship with you and hope to provide you with the best service and solution. Let us make a better world for our industry!



## Contact us

Tel: +86-755-8981 8866 Fax: +86-755-8427 6832

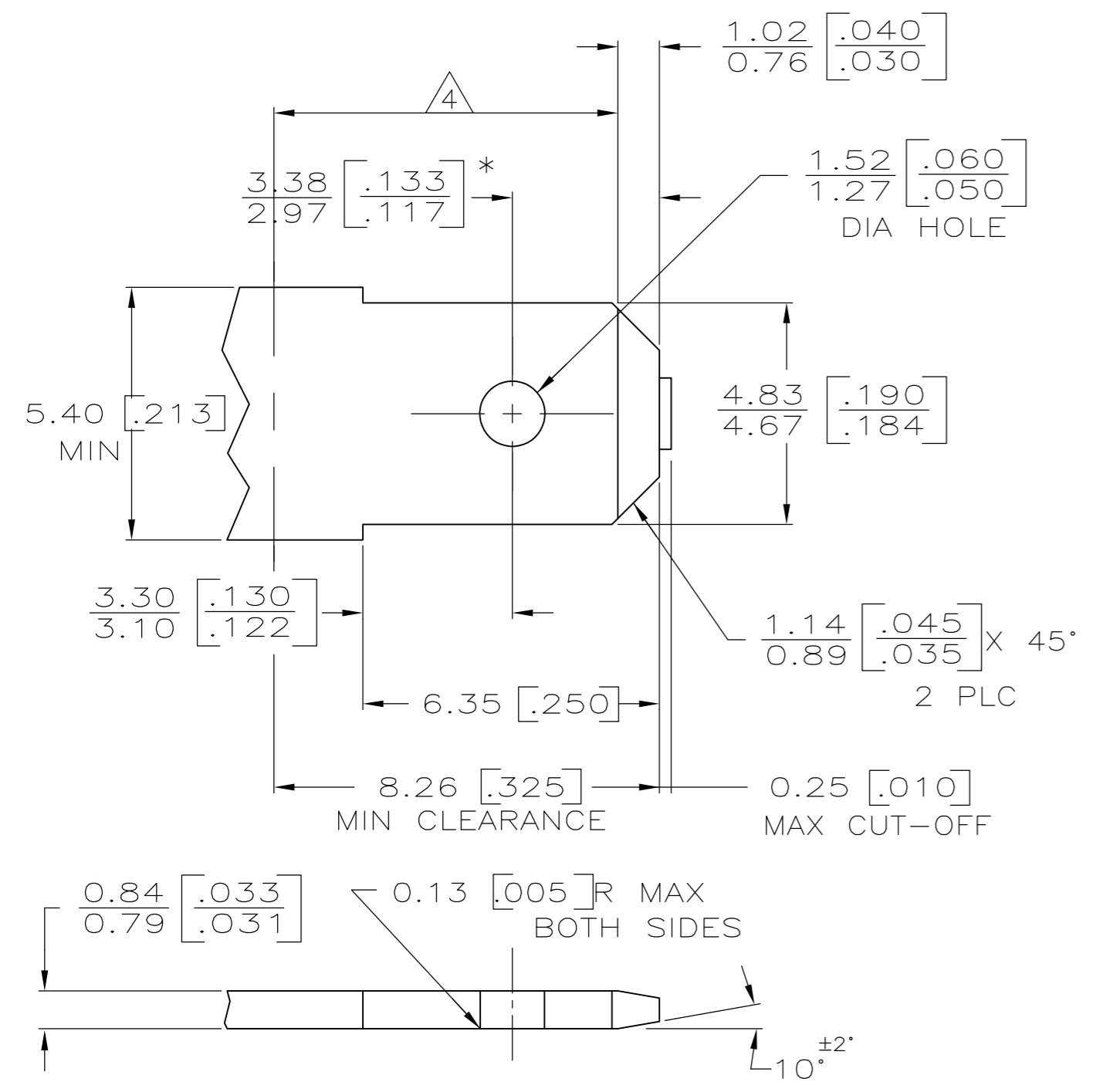
Email & Skype: info@chipsmall.com Web: www.chipsmall.com

Address: A1208, Overseas Decoration Building, #122 Zhenhua RD., Futian, Shenzhen, China

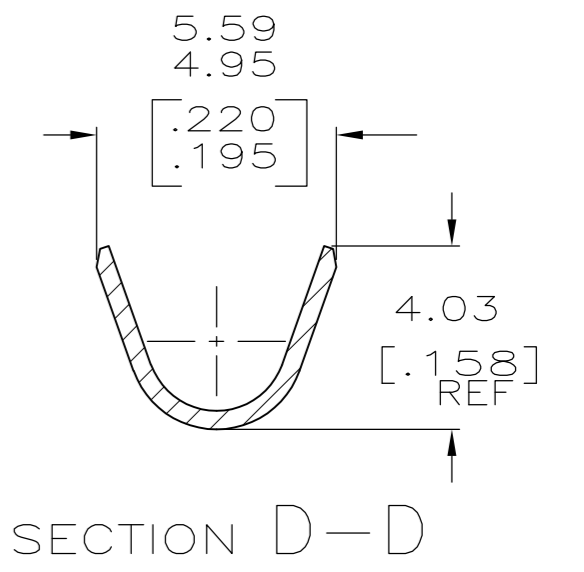
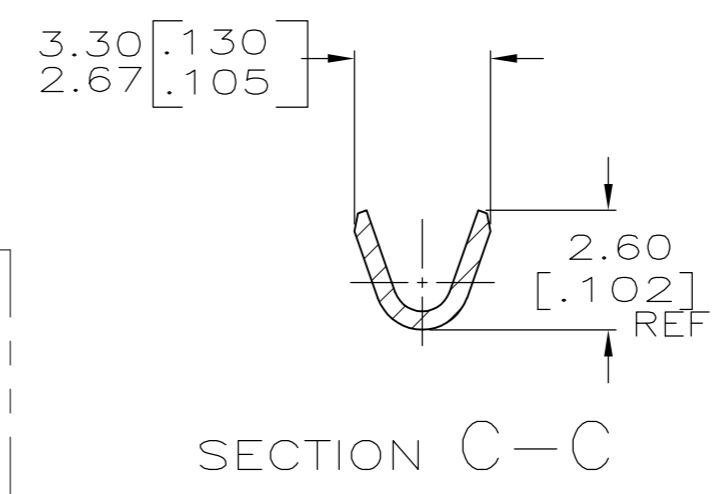
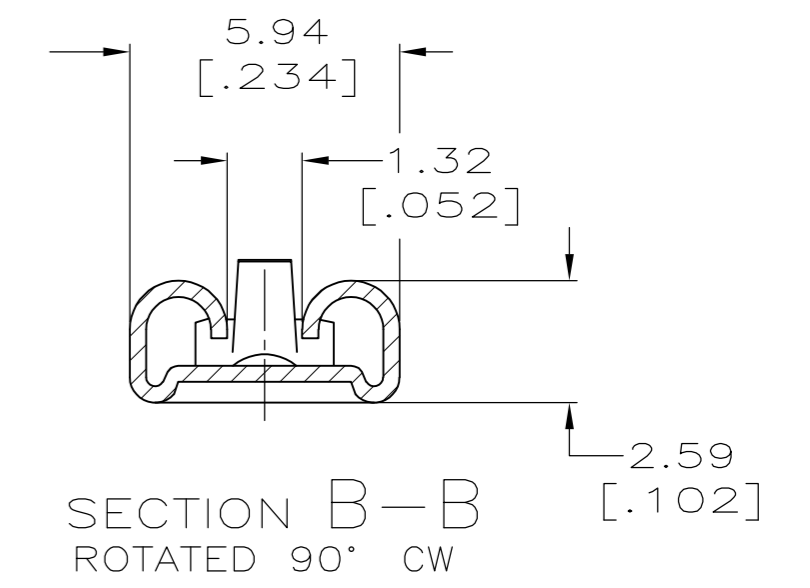
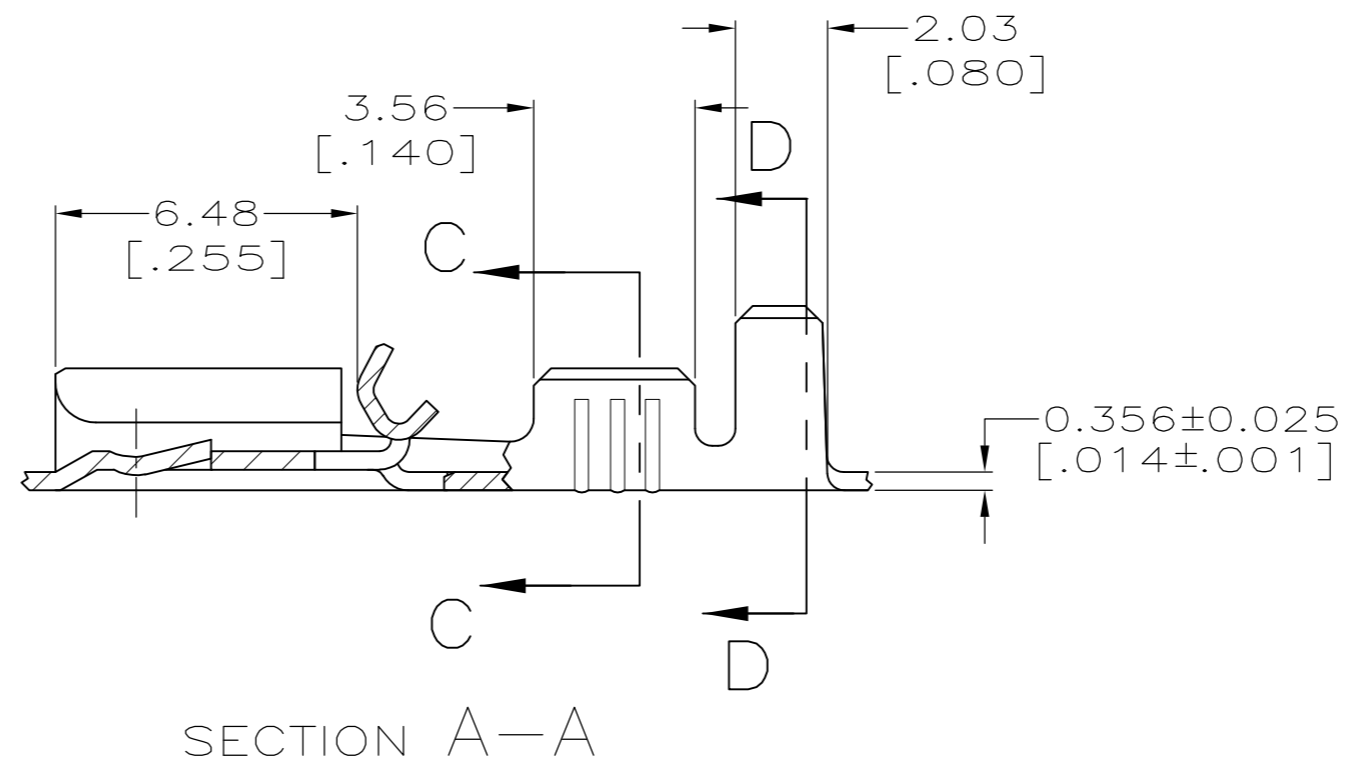
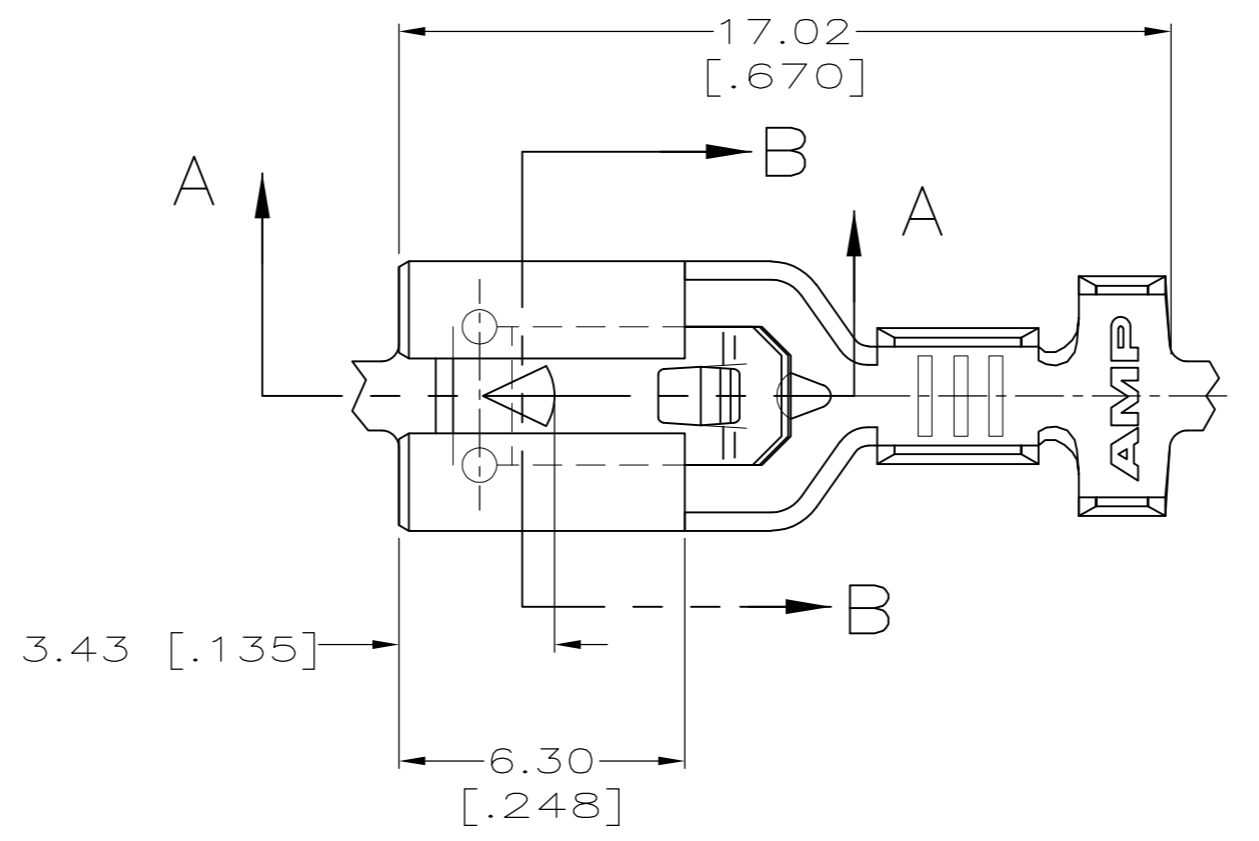


THIS DRAWING IS UNPUBLISHED. RELEASED FOR PUBLICATION  
 © COPYRIGHT - By - ALL RIGHTS RESERVED.

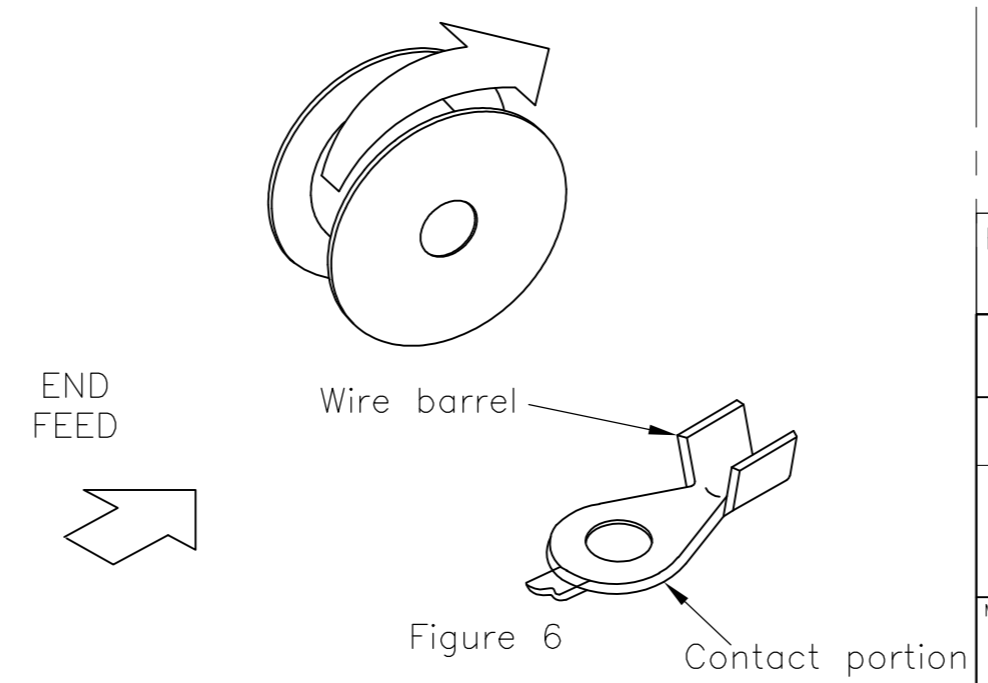
SUGGESTED MATING TAB



- 1 MATL: #2 HARD BRASS OR NICKEL PLATE STEEL.
  - 2 NO BURRS PERMISSIBLE AT HOLE.
  - 3 TIN PLATING IS REQUIRED ON BRASS WHEN TERMINAL TEMPERATURE IS OVER 225°F
  - 4 MUST BE FLAT WITHIN 0.076 [.003] OVER THIS LENGTH.
  - 5 HOLE MUST BE SYMMETRICAL ABOUT TAB C WITHIN 0.076 [.003].
- \* TO BE USED ONLY WHEN SHOULDER IS ELIMINATED.



This specification lists various figures which indicate the direction a product comes off the top of the reel.



- 1 CONTINUOUS STRIP ON REELS.
- 2 ACCEPTS #22-#18 SINGLE WIRE SIZES, WIRE CRIMP IS 2.03 [.080], F TYPE.
- 3 FITS INSULATION RANGE 2.29-3.30 [.090-.130] DIA, INSULATION CRIMP IS 3.94 [.155] F TYPE.

REVISIONS				
P	LTR	DESCRIPTION	DATE	APVD
F1		REVISED PER ECR-15-016360	10MAR2016	NK LP

REELING  
107-3 FIG.6

THIS DRAWING IS A CONTROLLED DOCUMENT.		DWN	JR RUTH	6/26/98
DIMENSIONS: mm [INCHES]		CHK	MS FEHER	6/26/98
TOLERANCES UNLESS OTHERWISE SPECIFIED:		APVD	E HOWARD	6/26/98
0 PLC	± -	PRODUCT SPEC		
1 PLC	± -	APPLICATION SPEC		
2 PLC	± 0.25 [.010]	-		
3 PLC	± -	-		
4 PLC	± -	-		
ANGLES	± -	-		
MATERIAL	BRASS	FINISH	SEE TABLE	

OBSOLETE		TIN	1217097-2
-		-	-1217097-1-
FINISH		PART NO.	
<b>TE</b> TE Connectivity			
RECEPTACLE, POSITIVE-LOCK, MARK III, 4.75 [.187] SERIES			
SIZE	A2	CAGE CODE	00779
DRAWING NO	C=1217097		
RESTRICTED TO	-		
SCALE	6:1	SHEET	1 OF 1
REV	F1		