



Chipsmall Limited consists of a professional team with an average of over 10 year of expertise in the distribution of electronic components. Based in Hongkong, we have already established firm and mutual-benefit business relationships with customers from,Europe,America and south Asia,supplying obsolete and hard-to-find components to meet their specific needs.

With the principle of “Quality Parts,Customers Priority,Honest Operation,and Considerate Service”,our business mainly focus on the distribution of electronic components. Line cards we deal with include Microchip,ALPS,ROHM,Xilinx,Pulse,ON,Everlight and Freescale. Main products comprise IC,Modules,Potentiometer,IC Socket,Relay,Connector.Our parts cover such applications as commercial,industrial, and automotives areas.

We are looking forward to setting up business relationship with you and hope to provide you with the best service and solution. Let us make a better world for our industry!



Contact us

Tel: +86-755-8981 8866 Fax: +86-755-8427 6832

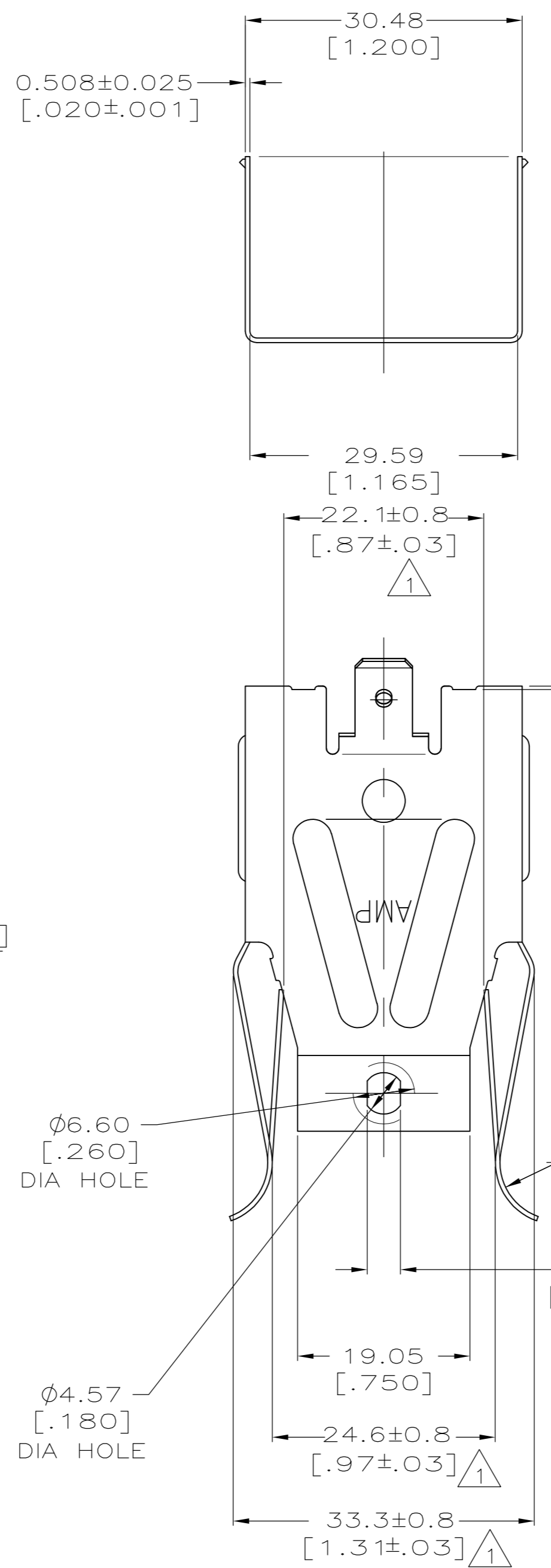
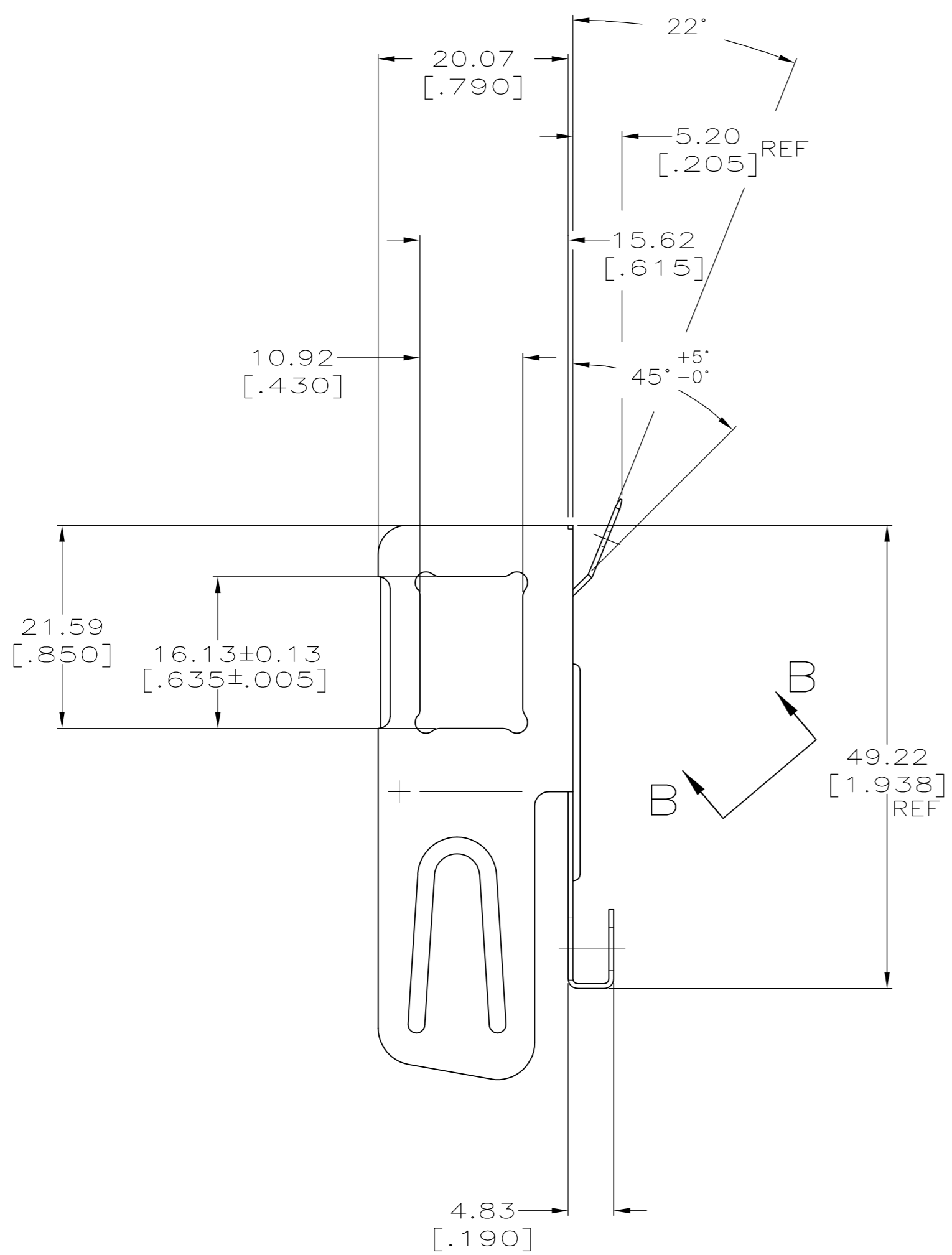
Email & Skype: info@chipsmall.com Web: www.chipsmall.com

Address: A1208, Overseas Decoration Building, #122 Zhenhua RD., Futian, Shenzhen, China

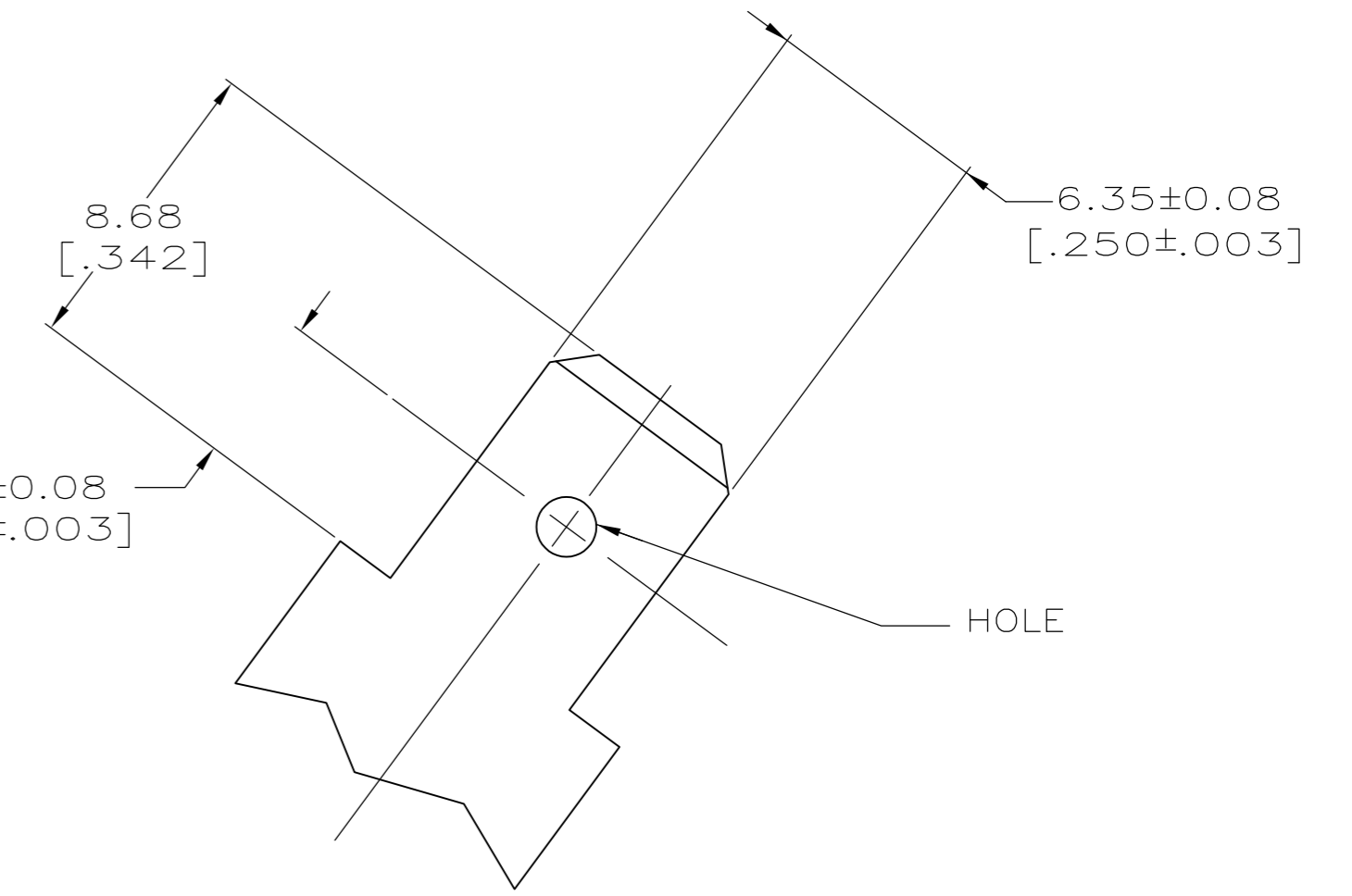


THIS DRAWING IS UNPUBLISHED. RELEASED FOR PUBLICATION
 © COPYRIGHT BY TYCO ELECTRONICS CORPORATION. ALL RIGHTS RESERVED.

LOC	DIST	REVISIONS				
P	LTR	DESCRIPTION	DATE	DWN	APVD	
AF	50	B2	REVISED PER ECR-08-012911	22MAY08	HMR	GJ
		B3	REVISED PER ECR-15-017388	08DEC15	JJ	TD



- 1 DIMENSIONS TO BE CHECKED WHEN SIDES ARE PARALLEL WITH 30.61 [1.205] DIMENSION.
- 2 FOR 6.35 [.250] SERIES POSITIVE LOCK RECEPTACLE.
- 3 REDUCED PACKAGE QUANTITY.
- 4 PRELIMINARY - NOT FOR PRODUCTION.
- 5 SUPERSEDED BY 1217836-1.



VIEW B-B
SCALE 5:1 (triangle 2)

3	4	1217108-2
5	OBSOLETE	1217108-1
PART NUMBER		

THIS DRAWING IS A CONTROLLED DOCUMENT.		DWN 17SEP98 PHILLIP M FORTNEY	Tyco Electronics Corporation Harrisburg, PA 17105-3608	
DIMENSIONS: mm [INCHES]		CHK 17SEP98 JEFF R RUTH	NAME JEREMY DUNCAN	
TOLERANCES UNLESS OTHERWISE SPECIFIED:		APVD 17SEP98 JEREMY DUNCAN	PRODUCT SPEC	
0 PLC	± -	APPLICATION SPEC		
1 PLC	± -	114-1028		
2 PLC	± 0.25 [.010]	WEIGHT -		
3 PLC	± -	SIZE A2 CAGE CODE 00779 C=1217108		
4 PLC	± -	DRAWING NO 114-1028		
ANGLES	± -	RESTRICTED TO -		
MATERIAL 1/4 HD SST	FINISH -	SCALE 2:1 SHEET 1 OF 1 REV B3		
CUSTOMER DRAWING				