



Chipsmall Limited consists of a professional team with an average of over 10 year of expertise in the distribution of electronic components. Based in Hongkong, we have already established firm and mutual-benefit business relationships with customers from,Europe,America and south Asia,supplying obsolete and hard-to-find components to meet their specific needs.

With the principle of “Quality Parts,Customers Priority,Honest Operation,and Considerate Service”,our business mainly focus on the distribution of electronic components. Line cards we deal with include Microchip,ALPS,ROHM,Xilinx,Pulse,ON,Everlight and Freescale. Main products comprise IC,Modules,Potentiometer,IC Socket,Relay,Connector.Our parts cover such applications as commercial,industrial, and automotives areas.

We are looking forward to setting up business relationship with you and hope to provide you with the best service and solution. Let us make a better world for our industry!



Contact us

Tel: +86-755-8981 8866 Fax: +86-755-8427 6832

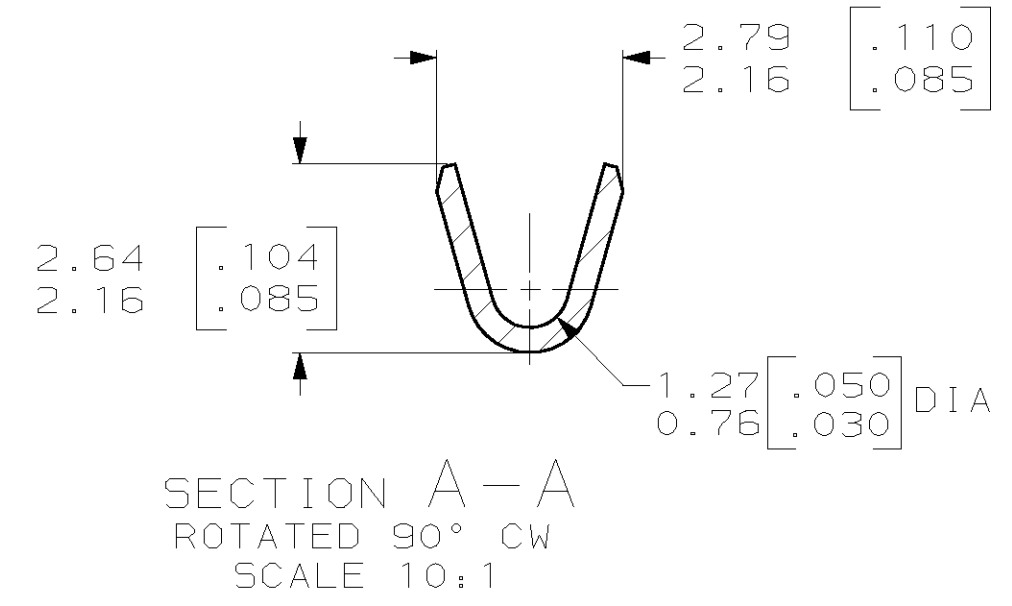
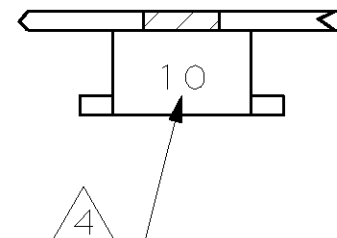
Email & Skype: info@chipsmall.com Web: www.chipsmall.com

Address: A1208, Overseas Decoration Building, #122 Zhenhua RD., Futian, Shenzhen, China

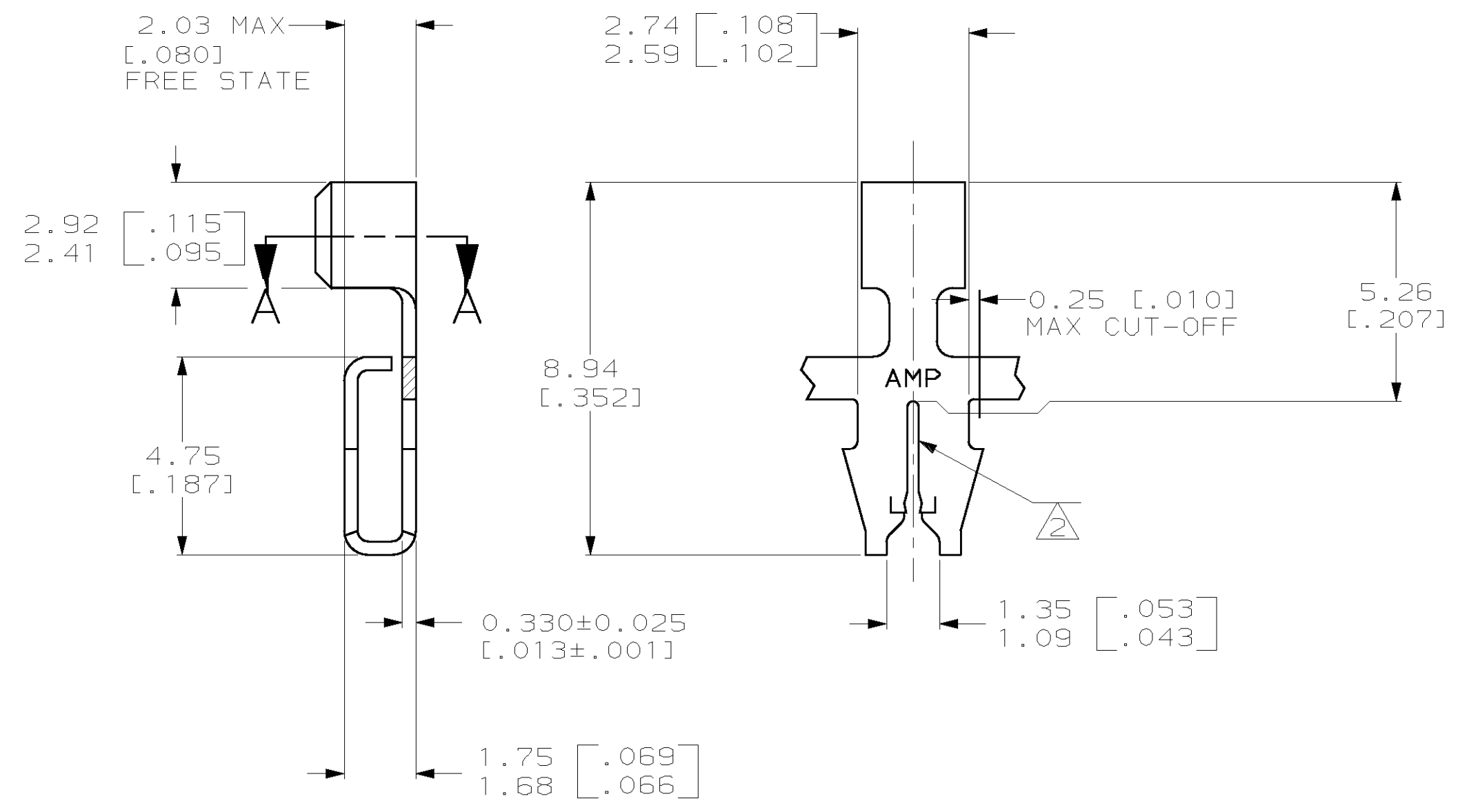
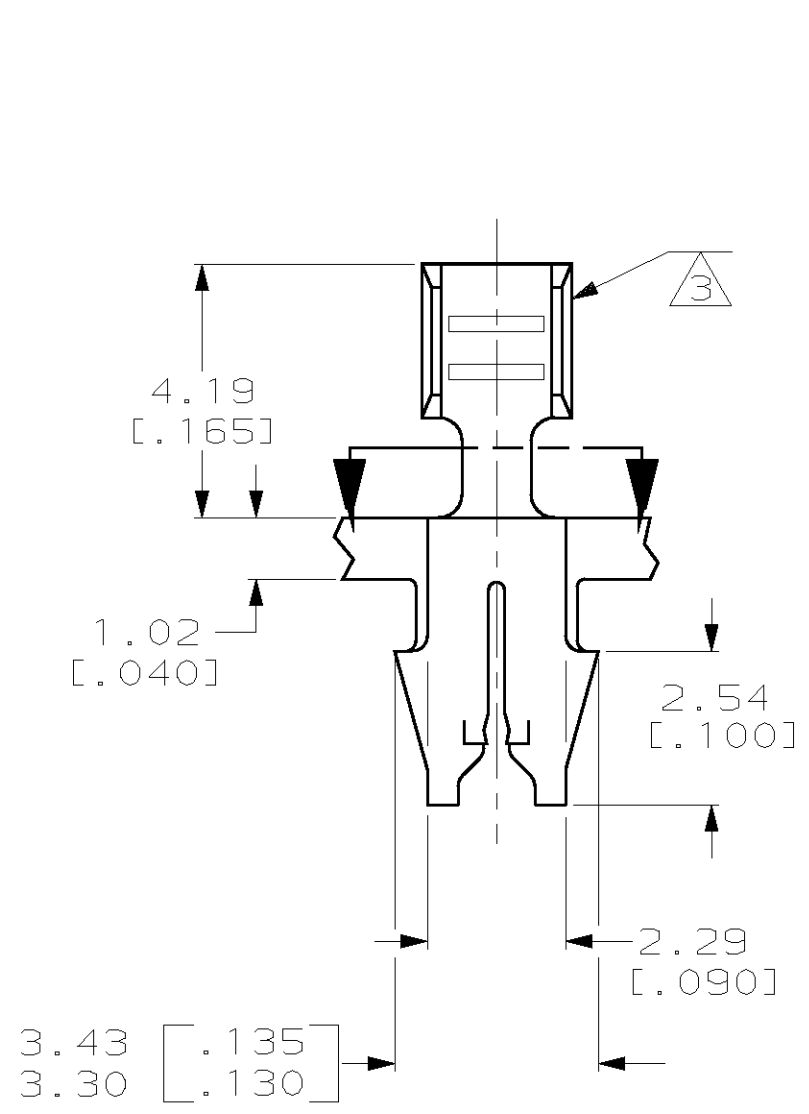


THIS DRAWING IS UNPUBLISHED. RELEASED FOR PUBLICATION .19
 (C) COPYRIGHT 19 BY AMP INCORPORATED. ALL RIGHTS RESERVED.

LOC		DIST		REVISIONS			
P	LTR	DESCRIPTION	DATE	DWN	APVD		
AF	50	A	REVISED PER EC 0G1A-0170-99	13JUL99	SDW	KAR	



- 1 CONTINUOUS STRIP ON REELS (NO SPLICES) WITH TERMINALS LOCATED ON 8.38±0.08 [.330±.003] CENTERS.
- 2 SLOT ACCEPTS 0.40-0.51mm [#26-#24] AWG COPPER MAGNET WIRE 2 WIRES MAX OF THE SAME SIZE PER SLOT.
- 3 WIRE BARREL ACCEPTS 0.3-1.0mm² [#22-#18] AWG LEAD WIRE.
- 4 IDENTIFICATION NUMBER 10 FOR WIRE SLOT SIZE.
- 5 0.00203 [.000080]-0.00381 [.000150] TIN PLATE OVER
 0.00254 [.000100]-0.00127 [.000050] NICKEL UNDERPLATE.



3.56 [.140]	F	1.78 [.070]	1.08 [.043]	0.4mm [22]
			1.18 [.047]	0.5mm [20]
			1.32 [.052]	0.8mm [18]
STRIP LENGTH ±.015	TYPE	WIDTH	±.051 [.002] HEIGHT	WIRE
WIRE BARREL CRIMP				

THIS DRAWING IS A CONTROLLED DOCUMENT.		DWN MICHAEL S. FEHER 31MAR1999	AMP Incorporated Harrisburg, PA 17105-3608	
DIMENSIONS: mm (INCHES)		CHK JEFF R. RUTH 01APR1999	AMP	
TOLERANCES UNLESS OTHERWISE SPECIFIED:		APVD KURT A. RANDOLPH 09APR1999	NAME	
0 PLC ±-		PRODUCT SPEC		108-2012
1 PLC ±-		APPLICATION SPEC		114-2069
2 PLC ±0.13(.005)		WEIGHT		-
3 PLC ±-		CUSTOMER DRAWING		SCALE 8:1
4 PLC ±-		MATERIAL H04 BRASS		SHEET 1 OF 1
ANGLES ±-		FINISH		REV A
FINISH		SIZE A2		CAGE CODE 00779
DRAWING NO		DRAWING NO		1217146
RESTRICTED TO		RESTRICTED TO		-

1217146-1
 PART NUMBER