



Chipsmall Limited consists of a professional team with an average of over 10 year of expertise in the distribution of electronic components. Based in Hongkong, we have already established firm and mutual-benefit business relationships with customers from,Europe,America and south Asia,supplying obsolete and hard-to-find components to meet their specific needs.

With the principle of “Quality Parts,Customers Priority,Honest Operation,and Considerate Service”,our business mainly focus on the distribution of electronic components. Line cards we deal with include Microchip,ALPS,ROHM,Xilinx,Pulse,ON,Everlight and Freescale. Main products comprise IC,Modules,Potentiometer,IC Socket,Relay,Connector.Our parts cover such applications as commercial,industrial, and automotives areas.

We are looking forward to setting up business relationship with you and hope to provide you with the best service and solution. Let us make a better world for our industry!



Contact us

Tel: +86-755-8981 8866 Fax: +86-755-8427 6832

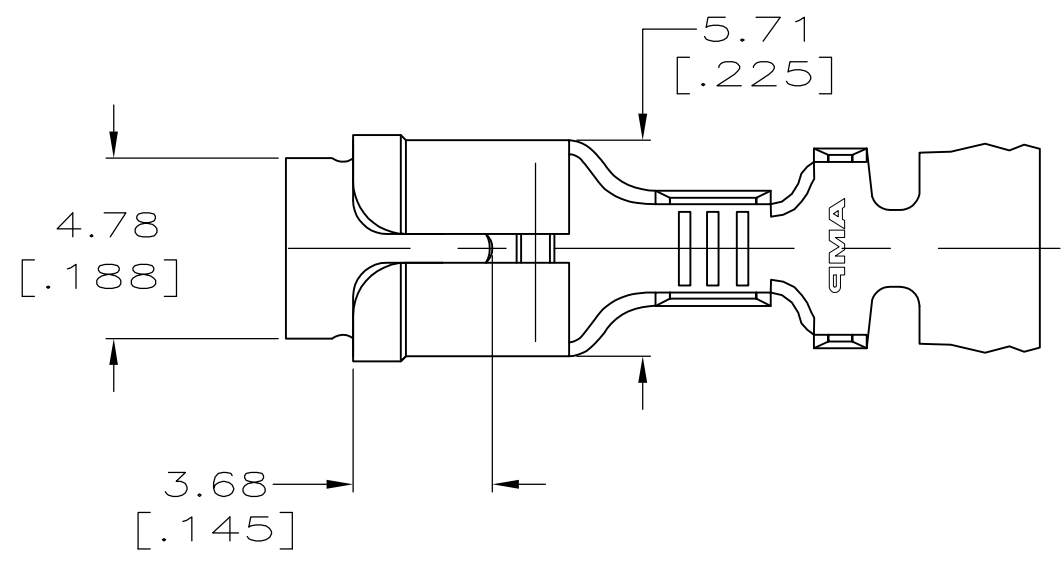
Email & Skype: info@chipsmall.com Web: www.chipsmall.com

Address: A1208, Overseas Decoration Building, #122 Zhenhua RD., Futian, Shenzhen, China

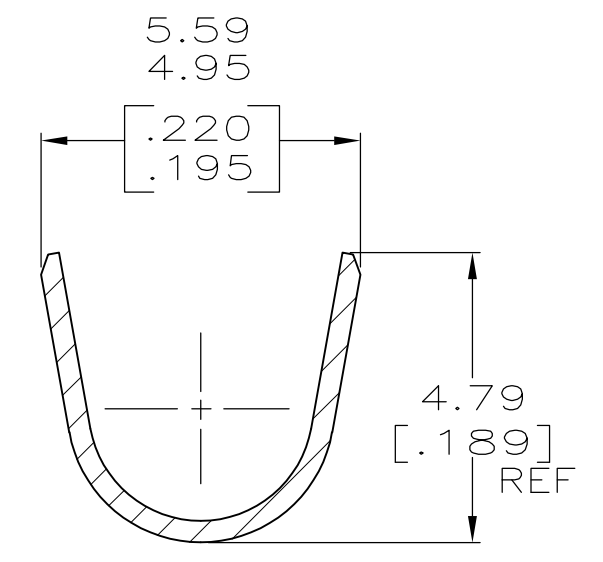
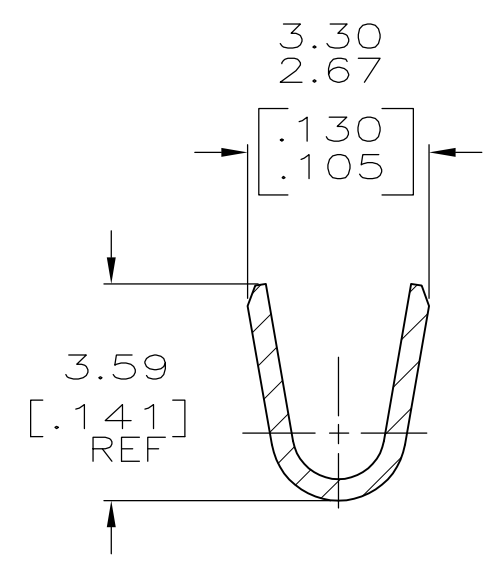
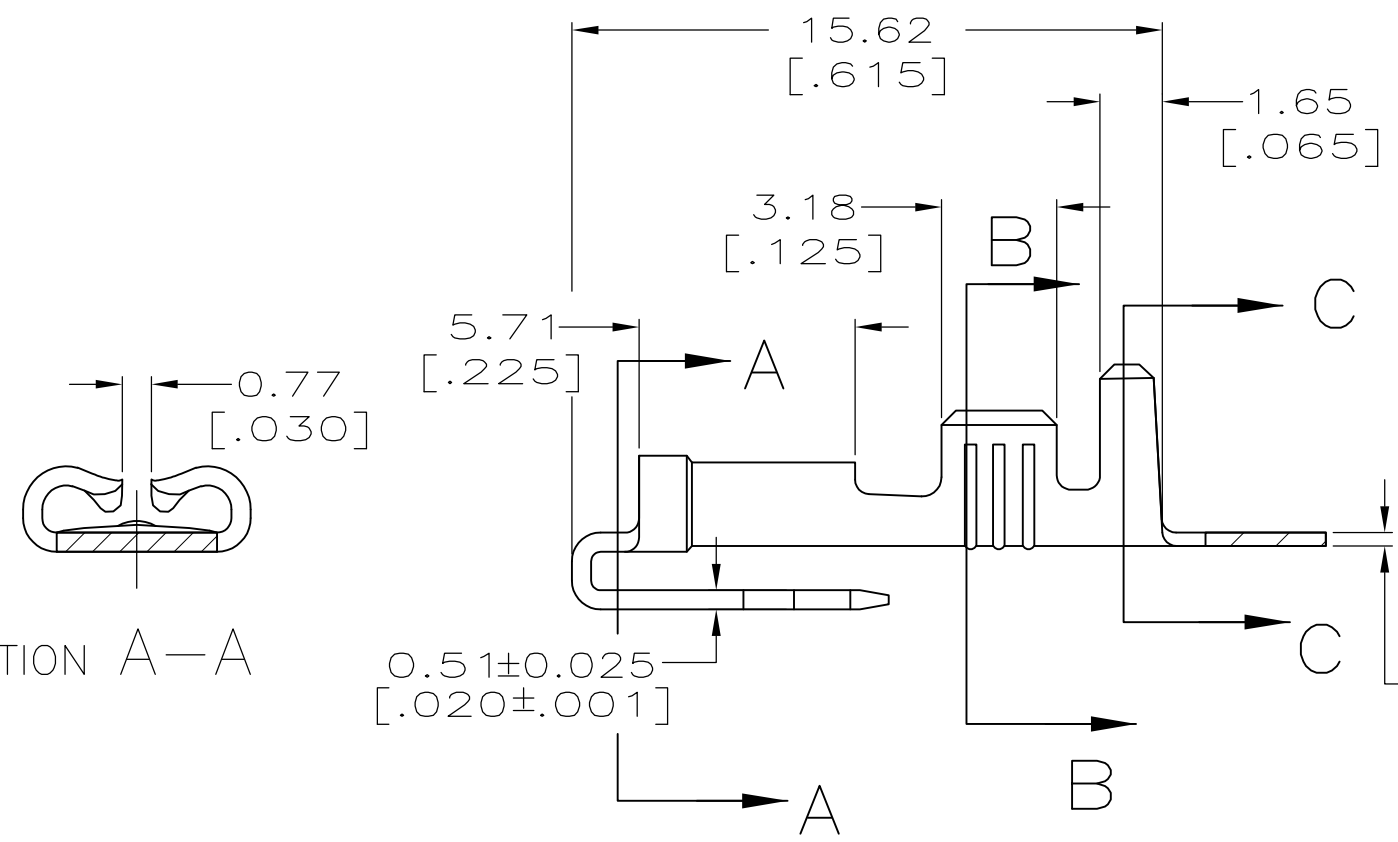


THIS DRAWING IS UNPUBLISHED. RELEASED FOR PUBLICATION
 © COPYRIGHT - By - ALL RIGHTS RESERVED.

LOC	DIST	REVISIONS			
P	LTR	DESCRIPTION	DATE	DWN	APVD
AF	50	C	REVISED PER ECR-12-013518	26NOV2012	KH PD



- CONTINUOUS STRIP ON REELS.
- WIRE SIZE IS [#18-#14] AWG.
- INSULATION RANGE IS 2.79-4.06 [.110-.160] DIA.
- MATING TAB THK IS 0.51±0.025 [.020±.001].



SECTION A-A

SECTION B-B
SCALE 8:1

SECTION C-C
SCALE 8:1

1217151-1
PART NO.

THIS DRAWING IS A CONTROLLED DOCUMENT.		DWN	JR RUTH	6MAY99	 TE Connectivity	NAME		RECEPTACLE, PIGGYBACK, FASTON, 4.75 [.187] SERIES	
DIMENSIONS: mm [INCHES]		CHK	MS FEHER	6MAY99		PRODUCT SPEC		-	
TOLERANCES UNLESS OTHERWISE SPECIFIED:		APVD	S HEADER	6MAY99		APPLICATION SPEC		-	
0 PLC ± - 1 PLC ± - 2 PLC ± 0.25 [.010] 3 PLC ± - 4 PLC ± - ANGLES ± -		MATERIAL		FINISH		SIZE	CAGE CODE	DRAWING NO	RESTRICTED TO
BRASS		TIN		WEIGHT	-	A300779	C-1217151	-	
CUSTOMER DRAWING					SCALE	5:1	SHEET	1 OF 1	REV C