



Chipsmall Limited consists of a professional team with an average of over 10 year of expertise in the distribution of electronic components. Based in Hongkong, we have already established firm and mutual-benefit business relationships with customers from,Europe,America and south Asia,supplying obsolete and hard-to-find components to meet their specific needs.

With the principle of “Quality Parts,Customers Priority,Honest Operation,and Considerate Service”,our business mainly focus on the distribution of electronic components. Line cards we deal with include Microchip,ALPS,ROHM,Xilinx,Pulse,ON,Everlight and Freescale. Main products comprise IC,Modules,Potentiometer,IC Socket,Relay,Connector.Our parts cover such applications as commercial,industrial, and automotives areas.

We are looking forward to setting up business relationship with you and hope to provide you with the best service and solution. Let us make a better world for our industry!



Contact us

Tel: +86-755-8981 8866 Fax: +86-755-8427 6832

Email & Skype: info@chipsmall.com Web: www.chipsmall.com

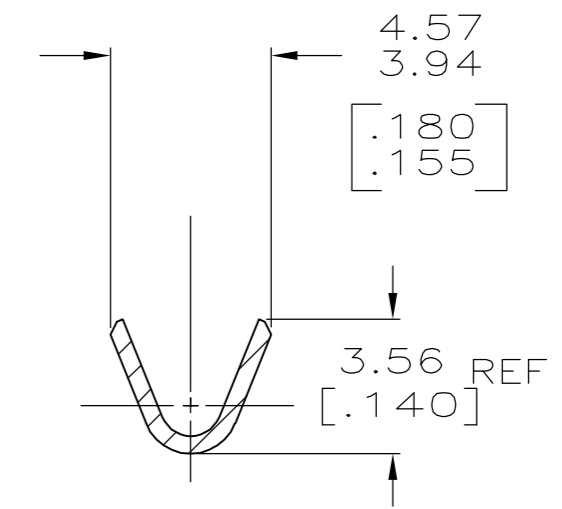
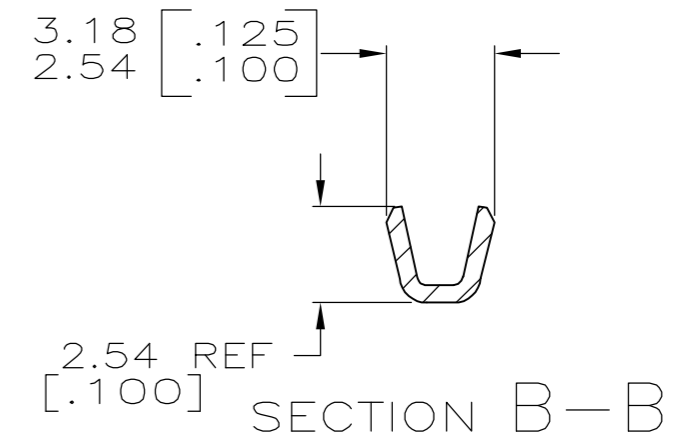
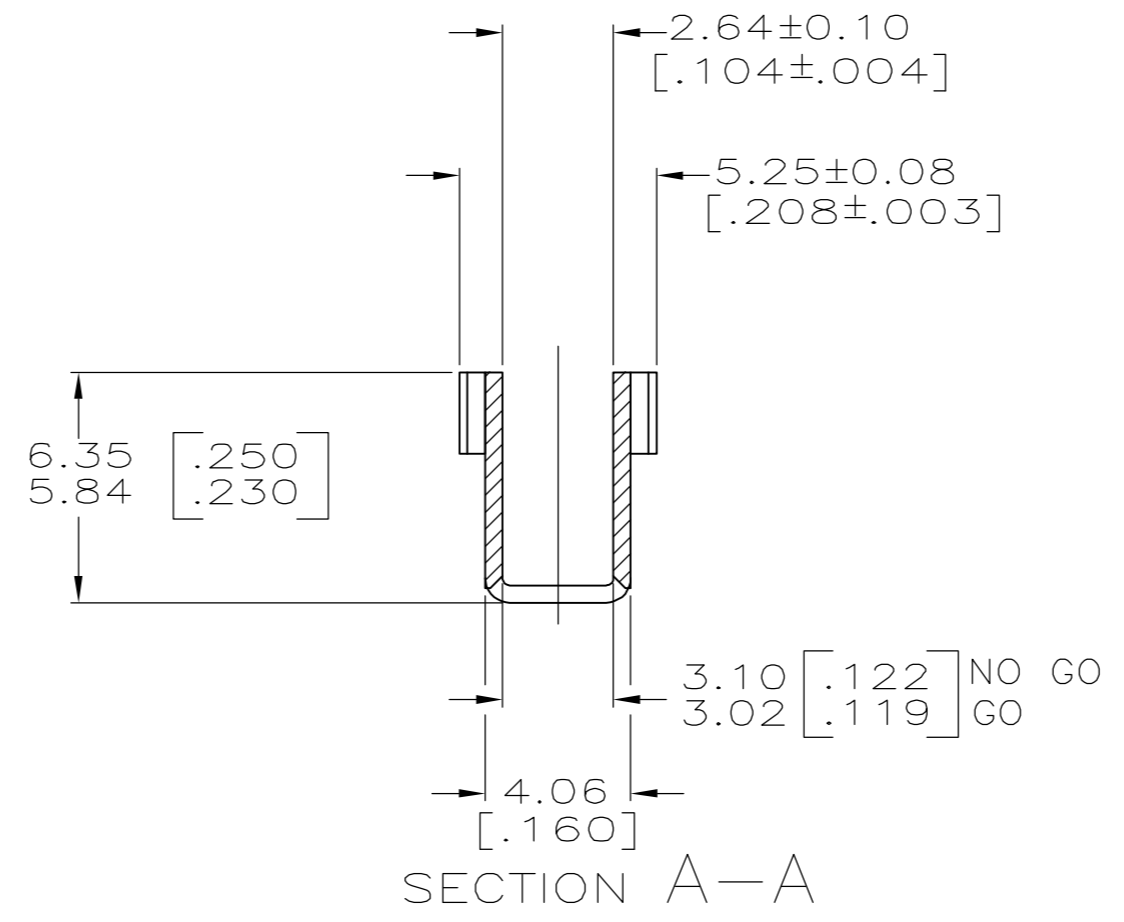
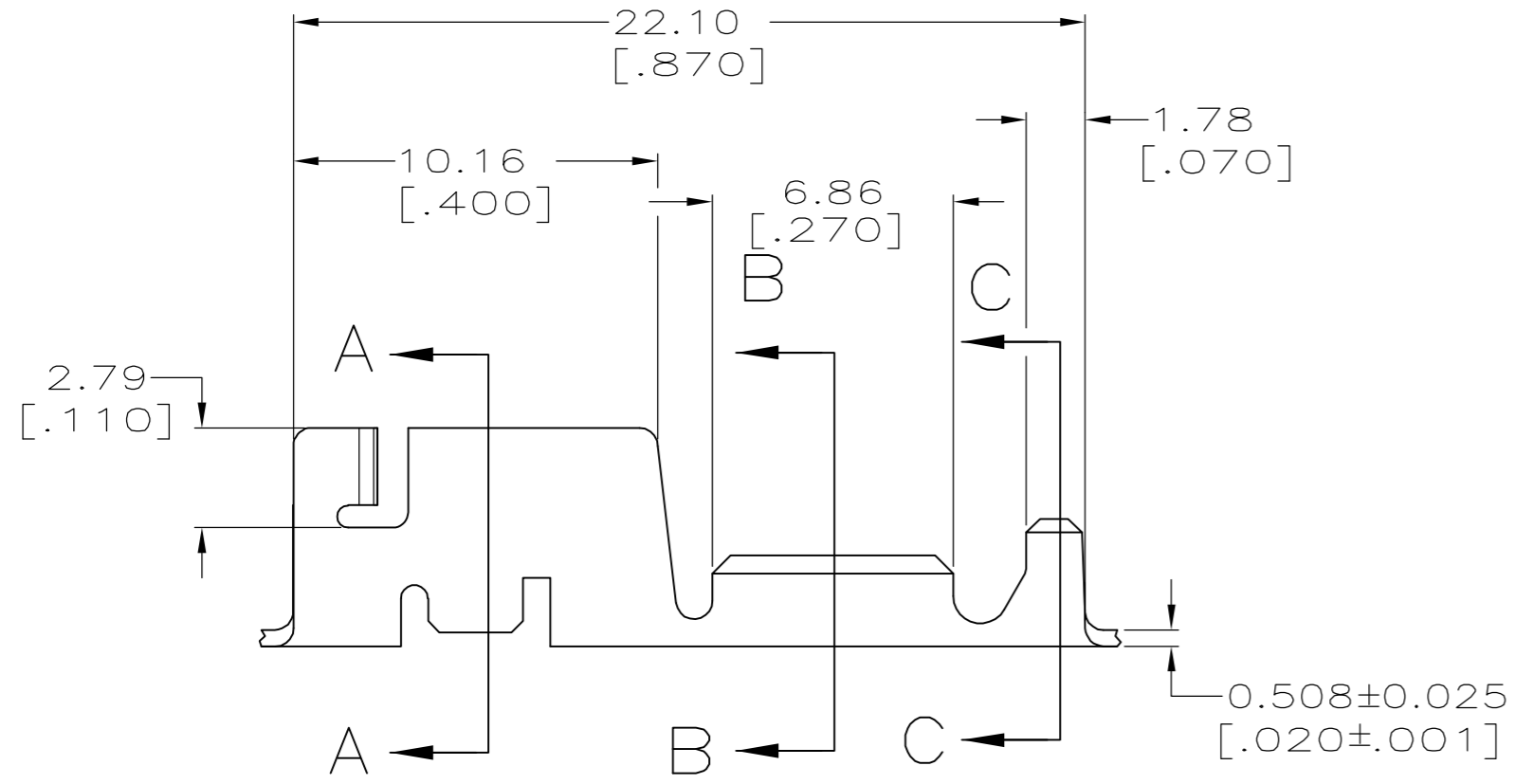
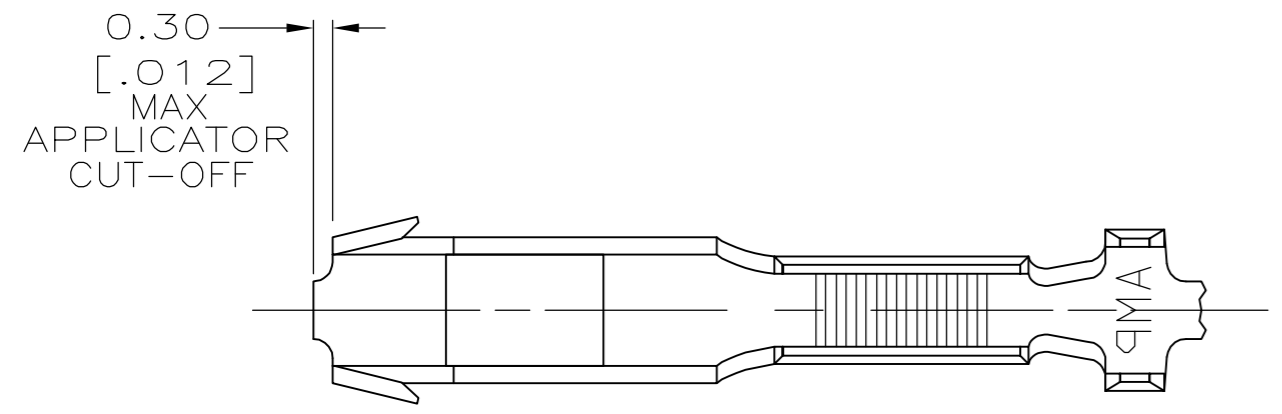
Address: A1208, Overseas Decoration Building, #122 Zhenhua RD., Futian, Shenzhen, China



THIS DRAWING IS UNPUBLISHED. RELEASED FOR PUBLICATION
 © COPYRIGHT BY TYCO ELECTRONICS CORPORATION. ALL RIGHTS RESERVED.

LOC		DIST		REVISIONS			
P	LTR	DESCRIPTION		DATE	DWN	APVD	
AF	50	E		REV PER ECR-05-018642	19APR06	HMR	GP

1 CONTINUOUS STRIP ON REELS WITH TERMINALS LOCATED ON 23.75 [.935] CENTERS.



1.52-2.54 DIA [.060-.100]	400-1600 CMA	1217172-1
INSULATION RANGE	WIRE RANGE	PART NUMBER

THIS DRAWING IS A CONTROLLED DOCUMENT.		DWN 29JUN1999 MICHAEL S. FEHER	tyco Tyco Electronics Corporation	
DIMENSIONS: mm [INCHES]		CHK 06JUL1999 PETE DESANTIS	Harrisburg, PA 17105-3608	
TOLERANCES UNLESS OTHERWISE SPECIFIED:		APVD 06JUL1999 PETE DESANTIS	NAME	
0 PLC ± -	1 PLC ± -	PRODUCT SPEC	RECEPTACLE, CLUSTER PIN, AMPLIVAR™, 3.18[.125] DIA	
2 PLC ± 0.25 [.010]	3 PLC ± -	APPLICATION SPEC	SIZE	CAGE CODE
4 PLC ± -	ANGLES ± -	114-2019	A2	00779
MATERIAL	FINISH	WEIGHT	DRAWING NO	RESTRICTED TO
H03 PHOSPHOR BRONZE	POST TIN	-	C=1217172	-
CUSTOMER DRAWING		SCALE 5:1	SHEET 1 of 1	REV E

1217172