



Chipsmall Limited consists of a professional team with an average of over 10 year of expertise in the distribution of electronic components. Based in Hongkong, we have already established firm and mutual-benefit business relationships with customers from,Europe,America and south Asia,supplying obsolete and hard-to-find components to meet their specific needs.

With the principle of “Quality Parts,Customers Priority,Honest Operation,and Considerate Service”,our business mainly focus on the distribution of electronic components. Line cards we deal with include Microchip,ALPS,ROHM,Xilinx,Pulse,ON,Everlight and Freescale. Main products comprise IC,Modules,Potentiometer,IC Socket,Relay,Connector.Our parts cover such applications as commercial,industrial, and automotives areas.

We are looking forward to setting up business relationship with you and hope to provide you with the best service and solution. Let us make a better world for our industry!



Contact us

Tel: +86-755-8981 8866 Fax: +86-755-8427 6832

Email & Skype: info@chipsmall.com Web: www.chipsmall.com

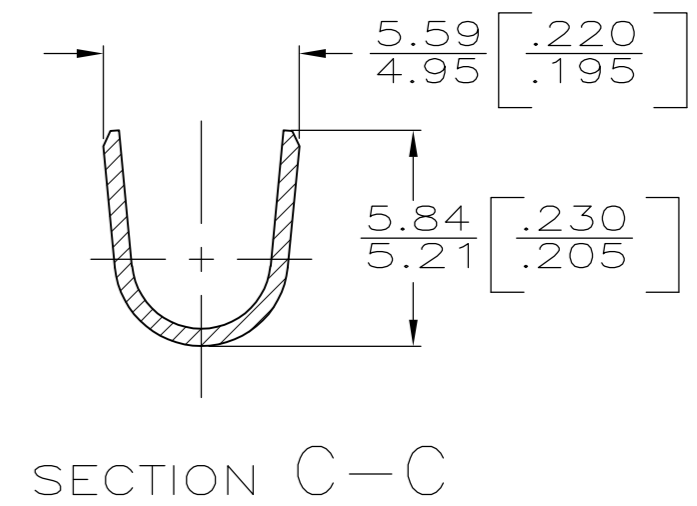
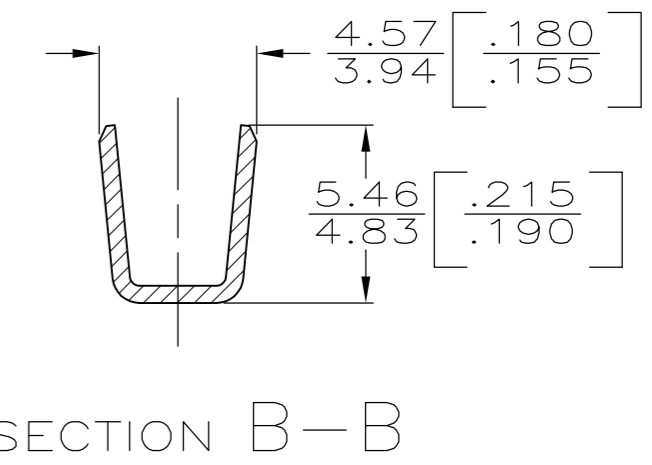
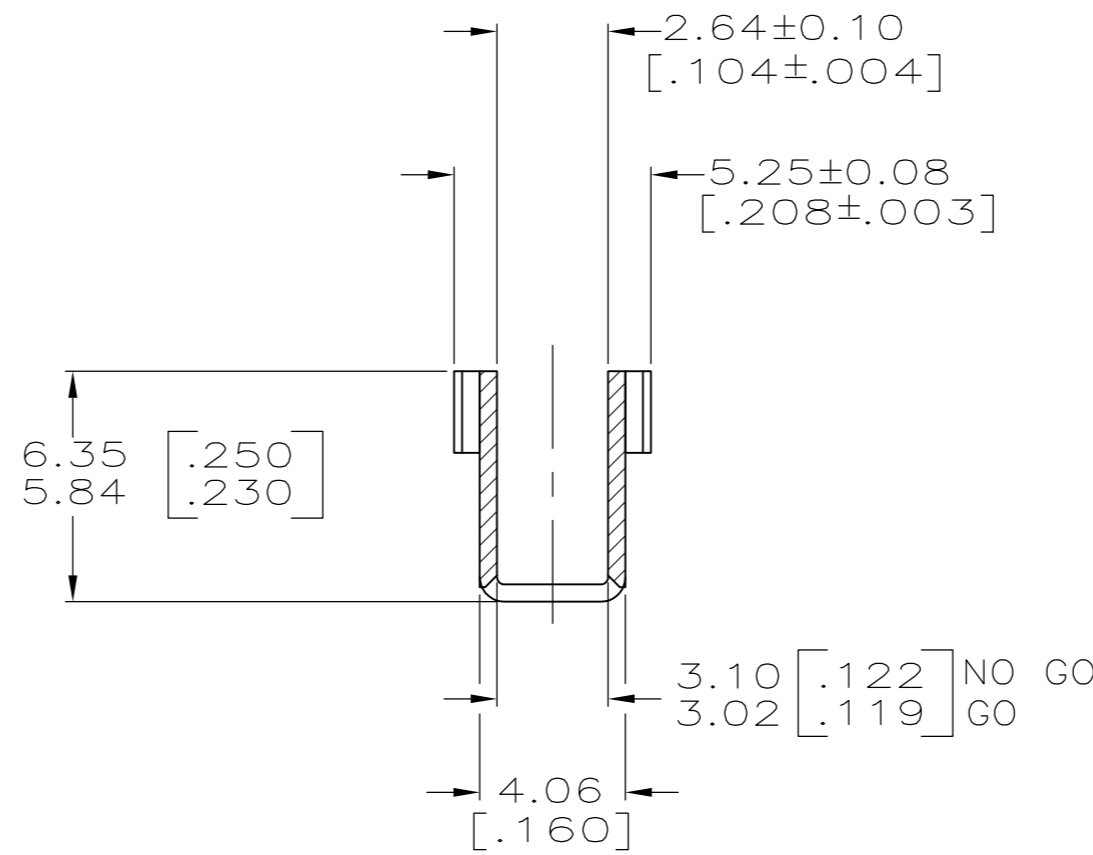
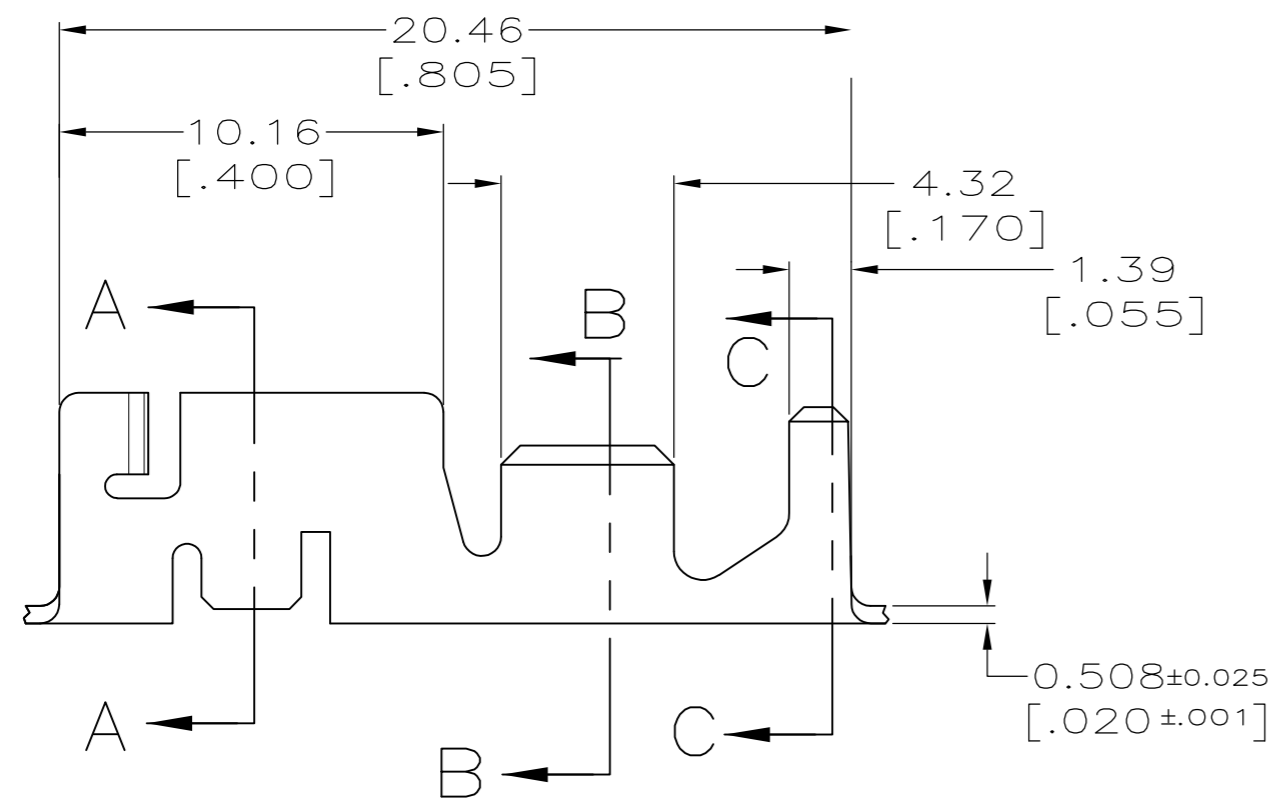
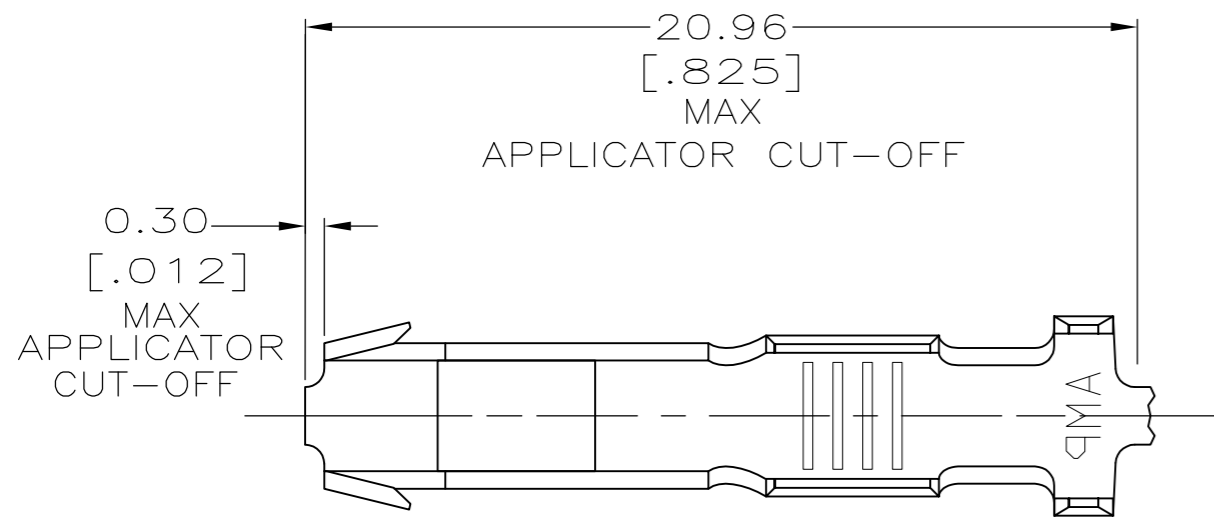
Address: A1208, Overseas Decoration Building, #122 Zhenhua RD., Futian, Shenzhen, China



THIS DRAWING IS UNPUBLISHED. RELEASED FOR PUBLICATION
 © COPYRIGHT - By - ALL RIGHTS RESERVED.

| LOC | | DIST | | REVISIONS | | | |
|-----|-----|-------------|--|---------------------------|---------|------|----|
| P | LTR | DESCRIPTION | | DATE | DWN | APVD | |
| AF | 50 | G | | REVISED PER ECR-12-016352 | 17NOV12 | KH | GJ |

- 1 CONTINUOUS STRIP ON REELS WITH TERMINALS LOCATED ON 22.61[.890] CENTERS
- 2 PRODUCT SPEC DOES NOT APPLY TO PART NUMBER 1217175-4.
- 3 PART NUMBER 1217175-5 IS NOT QUALIFIED TO THE PRODUCT SPECIFICATION.
- 4 WIRE RANGE: 2.0 - 5.0 mm² [#14-#10 AWG].
- 5 INSULATION RANGE: 4.32[.170] MAX DIAMETER.
- 6 PRELIMINARY - NOT FOR PRODUCTION.



| F OR O | 4.57 [.180] | 6.22 [.245] | F | 3.56 [.140] | 2.97 [.117] | 5.0mm ² [10] |
|--------------------|-------------|----------------------------|-------------------|-------------|----------------------|-------------------------|
| | | | | | 2.54 [.100] | 3.0mm ² [12] |
| | | | | | 2.24 [.088] | 2.0mm ² [14] |
| TYPE | WIDTH | STRIP LENGTH ±0.38 [±.015] | TYPE | WIDTH | ±0.05 [±.002] HEIGHT | WIRE |
| INSUL BARREL CRIMP | | | WIRE BARREL CRIMP | | | |

| UNPLATED | H03 TIN-BRASS | 6 3 | 1217175-5 |
|----------|-------------------|-------------|-----------|
| POST TIN | H02 CU-FE, C19500 | 6 2 | 1217175-4 |
| POST TIN | H03 TIN-BRASS | | 1217175-1 |
| FINISH | MATERIAL | PART NUMBER | |

THIS DRAWING IS A CONTROLLED DOCUMENT.

DWN MICHAEL S. FEHER 06JUL1999
 CHK PETE DESANTIS 07JUL1999
 APVD PETE DESANTIS 07JUL1999

TE Connectivity

RECEPTACLE, CLUSTER PIN, 3.18 [.125] DIA

108-2008
 APPLICATION SPEC

114-2019

SCALE 5:1 SHEET 1 OF 1 REV G