



Chipsmall Limited consists of a professional team with an average of over 10 year of expertise in the distribution of electronic components. Based in Hongkong, we have already established firm and mutual-benefit business relationships with customers from,Europe,America and south Asia,supplying obsolete and hard-to-find components to meet their specific needs.

With the principle of “Quality Parts,Customers Priority,Honest Operation,and Considerate Service”,our business mainly focus on the distribution of electronic components. Line cards we deal with include Microchip,ALPS,ROHM,Xilinx,Pulse,ON,Everlight and Freescale. Main products comprise IC,Modules,Potentiometer,IC Socket,Relay,Connector.Our parts cover such applications as commercial,industrial, and automotives areas.

We are looking forward to setting up business relationship with you and hope to provide you with the best service and solution. Let us make a better world for our industry!



Contact us

Tel: +86-755-8981 8866 Fax: +86-755-8427 6832

Email & Skype: info@chipsmall.com Web: www.chipsmall.com

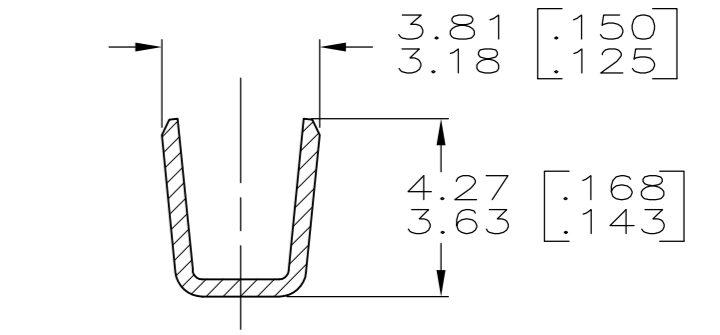
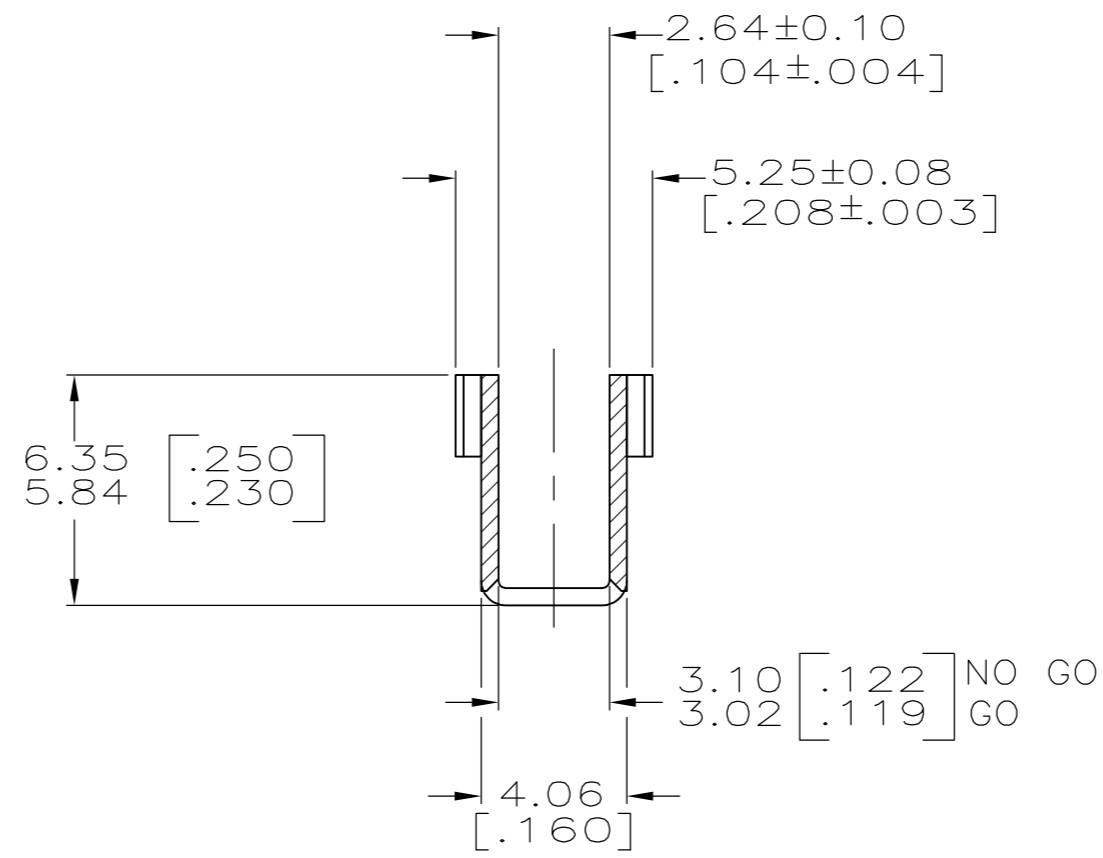
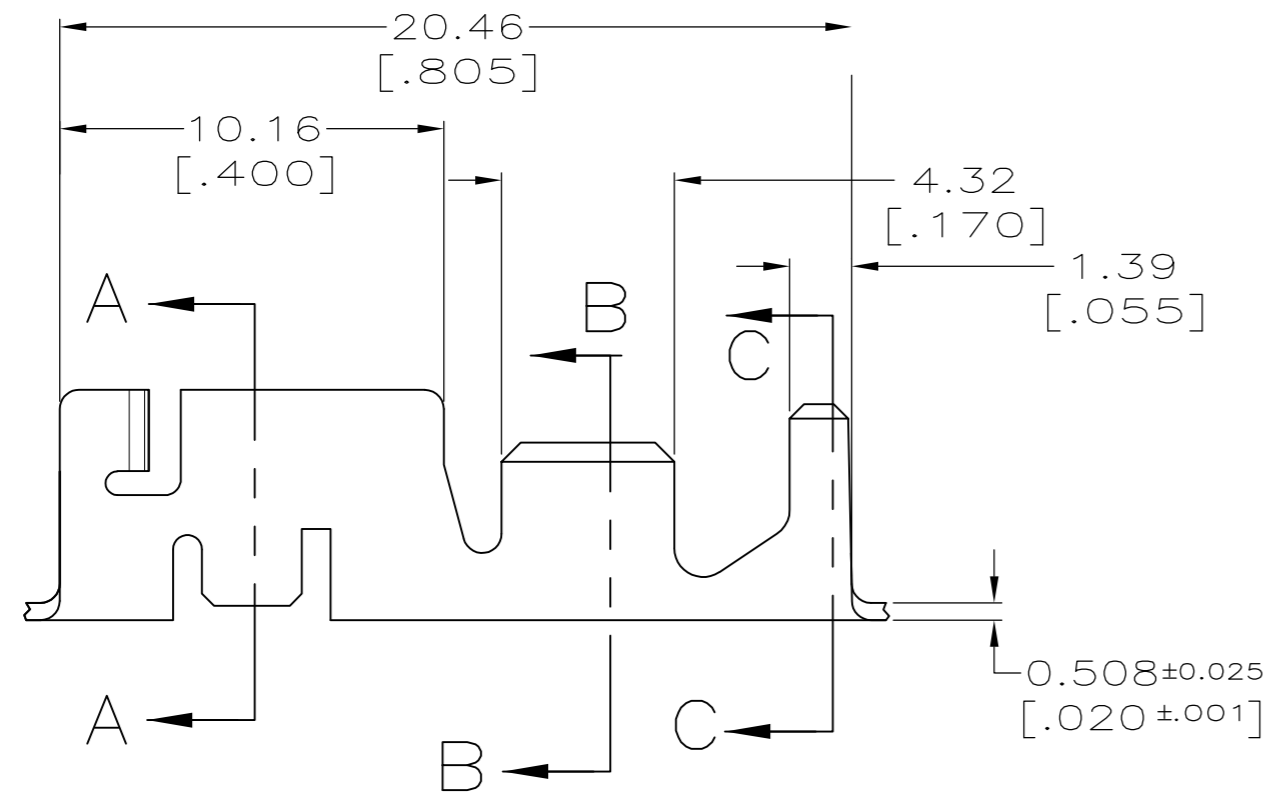
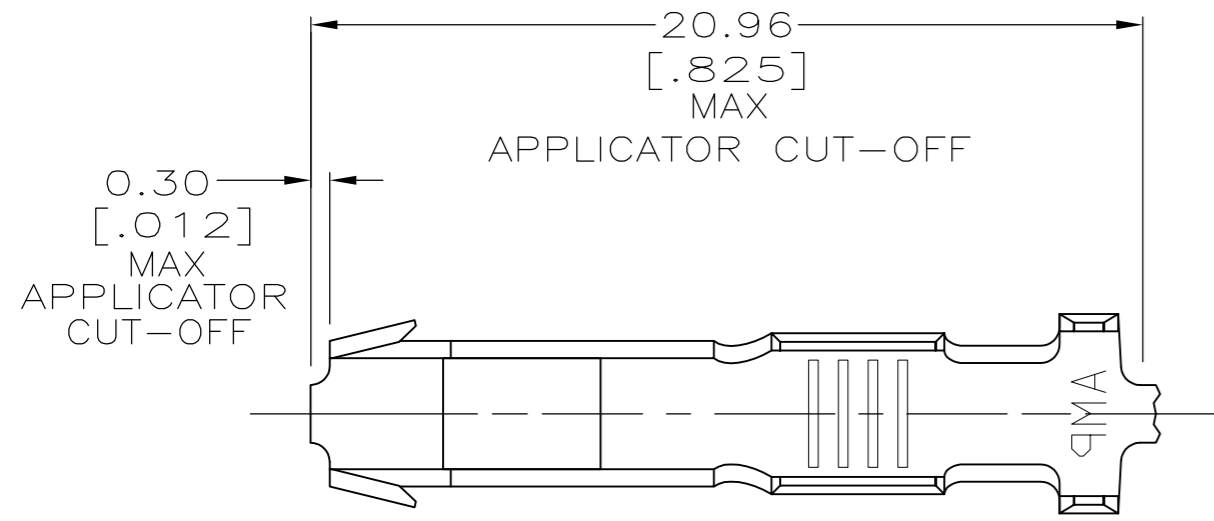
Address: A1208, Overseas Decoration Building, #122 Zhenhua RD., Futian, Shenzhen, China



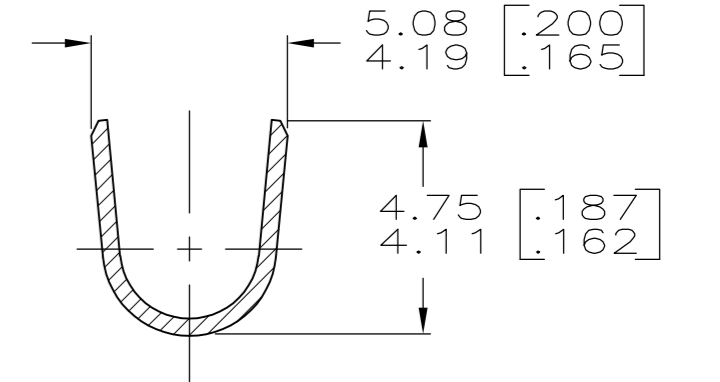
THIS DRAWING IS UNPUBLISHED. RELEASED FOR PUBLICATION
 © COPYRIGHT - By - ALL RIGHTS RESERVED.

LOC	DIST	REVISIONS			
P	LTR	DESCRIPTION	DATE	DWN	APVD
AF	50	G	REVISED PER ECR-12-016352	17NOV12	KH GJ

- 1 CONTINUOUS STRIP ON REELS WITH TERMINALS LOCATED ON 22.61[.890] CENTERS
- 2 PRODUCT SPEC DOES NOT APPLY TO PART NUMBER 1217176-4.
- 3 PRELIMINARY - NOT FOR PRODUCTION.



SECTION B-B



SECTION C-C

FINISH	MATERIAL	INSULATION RANGE	WIRE RANGE	PART NUMBER
NONE	H03 TIN-BRASS	3.30 [.130] MAX DIA	0.75-1.5mm ² [#18-#16] AWG	1217176-5
POST TIN	H02 CU-FE, C19500	3.30 [.130] MAX DIA	0.75-1.5mm ² [#18-#16] AWG	3 1217176-4
POST TIN	H03 TIN-BRASS	3.30 [.130] MAX DIA	0.75-1.5mm ² [#18-#16] AWG	1217176-1

TYPE	WIDTH	STRIP LENGTH ±0.38 [±.015]	TYPE	WIDTH	HEIGHT	WIRE
F OR O	3.94 [.155]	6.22 [.245]	F	2.79 [.110]	2.01 [.079]	1.5mm ² [16]
INSUL BARREL CRIMP			WIRE BARREL CRIMP		1.85 [.073]	.75mm ² [18]

THIS DRAWING IS A CONTROLLED DOCUMENT.

DWN MICHAEL S. FEHER 06JUL1999
 CHK PETE DESANTIS 07JUL1999
 APVD PETE DESANTIS 07JUL1999

TE Connectivity

RECEPTACLE, CLUSTER PIN, 3.18 [.125] DIA

108-2008 2
 APPLICATION SPEC
 114-2019

SIZE A2 CAGE CODE 00779 DRAWING NO C=1217176 RESTRICTED TO -
 WEIGHT - SCALE 5:1 SHEET 1 OF 1 REV G

CUSTOMER DRAWING