



Chipsmall Limited consists of a professional team with an average of over 10 year of expertise in the distribution of electronic components. Based in Hongkong, we have already established firm and mutual-benefit business relationships with customers from,Europe,America and south Asia,supplying obsolete and hard-to-find components to meet their specific needs.

With the principle of “Quality Parts,Customers Priority,Honest Operation,and Considerate Service”,our business mainly focus on the distribution of electronic components. Line cards we deal with include Microchip,ALPS,ROHM,Xilinx,Pulse,ON,Everlight and Freescale. Main products comprise IC,Modules,Potentiometer,IC Socket,Relay,Connector.Our parts cover such applications as commercial,industrial, and automotives areas.

We are looking forward to setting up business relationship with you and hope to provide you with the best service and solution. Let us make a better world for our industry!



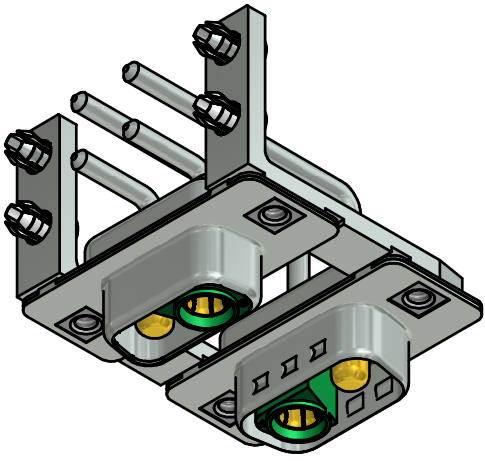
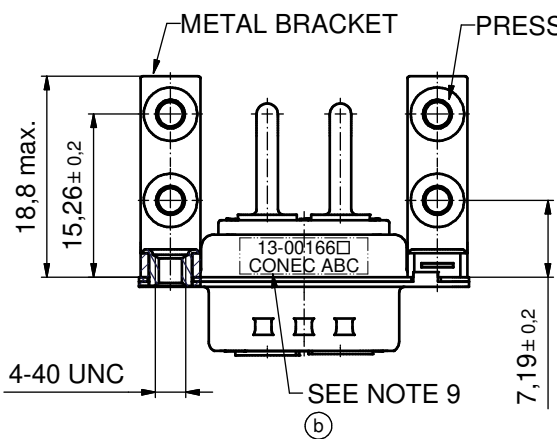
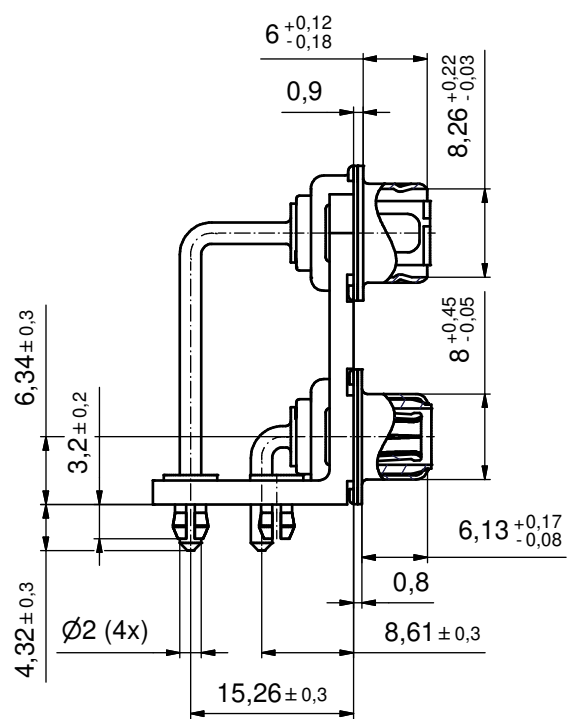
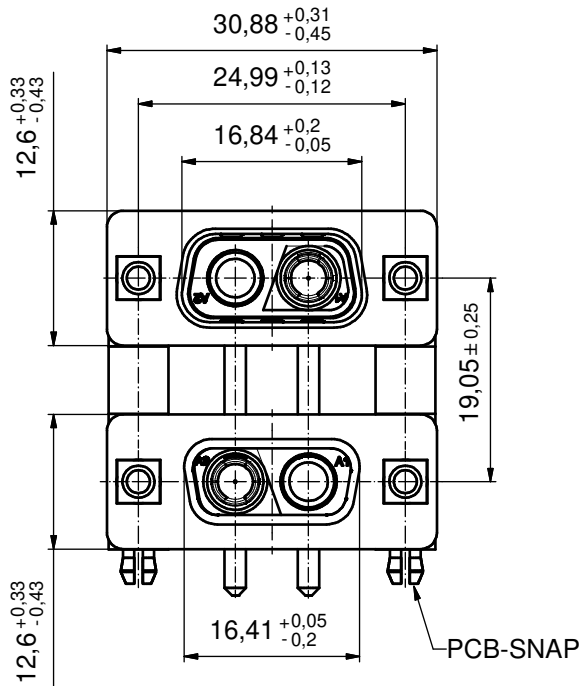
Contact us

Tel: +86-755-8981 8866 Fax: +86-755-8427 6832

Email & Skype: info@chipsmall.com Web: www.chipsmall.com

Address: A1208, Overseas Decoration Building, #122 Zhenhua RD., Futian, Shenzhen, China





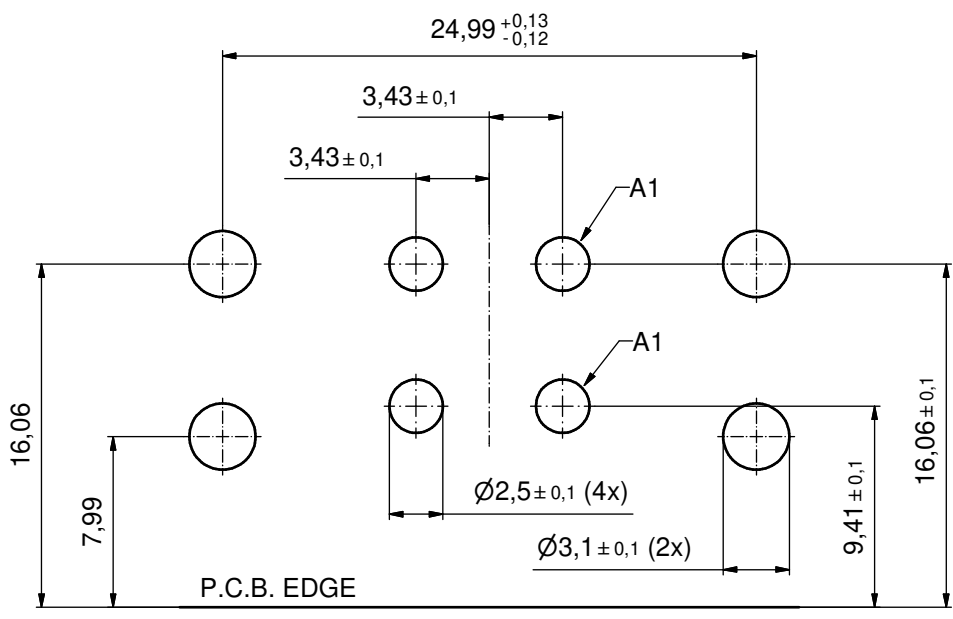
(b) NOTES:

1. METALSHELLS: STEEL; min. 315µm TIN over 40-80µm NICKEL
2. INSULATORS: PBT GF UL 94 V-0, GREEN
3. HIGH POWER CONTACTS 20A: COPPER ALLOY
 PLATING MATING AREA:
 PLEASE ADD 3 for GOLD FLASH over NICKEL
 PLEASE ADD 1 for 30µm HARD GOLD over min. 50µm NICKEL
 PLATING TERMINATION SIDE: 160-240µm TIN over 80µm NICKEL
4. METAL BRACKETS: ZINC DIE CAST;
 300µm COPPER/40-120µm NICKEL/120-200µm TIN
5. THREADED INSERTS: COPPER ALLOY; min. 200µm TIN over 80µm NICKEL
6. PCB-SNAPS: COPPER ALLOY; min. 200µm TIN over 80µm NICKEL
 PCB-HOLE: $\varnothing 3,1 \pm 0,1$ mm; PCB-THICKNESS: 1,6mm
7. P.C.B. HOLE DRILLINGS ON SHEET 2
8. MAXIMUM TORQUE VALUE FOR THREAD: 6 in.LB
9. CONNECTOR IS PART MARKED: 13-00166 CONEC ABC (see note 3)

Directive 2002/95/EC RoHS compliant

THIS DRAWING MAY NOT BE COPIED OR REPRODUCED IN ANY WAY, AND MAY NOT BE PASSED ON TO A THIRD PARTY WITHOUT WRITTEN PERMISSION. OWNERSHIP AND COPYRIGHT OF CONEC GmbH DO NOT ALTER CAD DRAWING BY HAND				tolerance		dim. in mm	scale: 2:1	
				date			material: see notes	
				name		title:		
		drawn 27.08.07		Schmidt		D-SUB COM. DUAL PORT 19,5mm/ Male 2W2CP rev./ Female 2W2CS with treaded insert, metal bracket and snap		
		appd. 28.08.07		Koch				
				norm		dwg no:		
				d-old		DIN-A3		
3 x b		A4403		26.07.12		sh: 1		
a		Original				13K1A2199 part no: (b) 13-00166 (see note 3)		
rev.		description		date				name





P.C.B. HOLE DRILLINGS
(P.C.B. TOP SIDE)

THIS DRAWING MAY NOT BE COPIED OR REPRODUCED IN ANY WAY, AND MAY NOT BE PASSED ON TO A THIRD PARTY WITHOUT WRITTEN PERMISSION. OWNERSHIP AND COPYRIGHT OF CONEC GmbH DO NOT ALTER CAD DRAWING BY HAND				tolerance	dim. in mm	scale: 3:2	
				date		name	material: see sheet 1
	rev.	description	date	name	drawn	27.08.07	Schmidt
	a	Original			appd.	28.08.07	Koch
					norm		
				d-old			
						title: P.C.B. HOLE DRILLINGS D-SUB Combination Dual Port 19,05mm Male 2W2CP reverse / Female 2W2CS	
						dwg no: 13K1A2199	DIN-A3 sh: 2
						part no: see sheet 1	