



Chipsmall Limited consists of a professional team with an average of over 10 year of expertise in the distribution of electronic components. Based in Hongkong, we have already established firm and mutual-benefit business relationships with customers from,Europe,America and south Asia,supplying obsolete and hard-to-find components to meet their specific needs.

With the principle of “Quality Parts,Customers Priority,Honest Operation,and Considerate Service”,our business mainly focus on the distribution of electronic components. Line cards we deal with include Microchip,ALPS,ROHM,Xilinx,Pulse,ON,Everlight and Freescale. Main products comprise IC,Modules,Potentiometer,IC Socket,Relay,Connector.Our parts cover such applications as commercial,industrial, and automotives areas.

We are looking forward to setting up business relationship with you and hope to provide you with the best service and solution. Let us make a better world for our industry!



Contact us

Tel: +86-755-8981 8866 Fax: +86-755-8427 6832

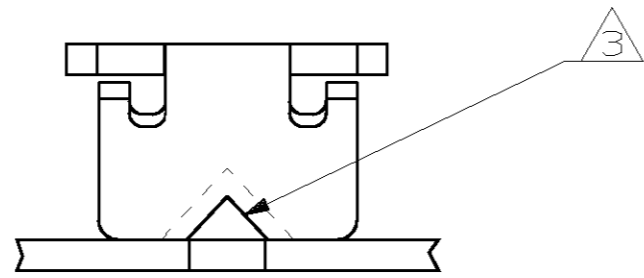
Email & Skype: info@chipsmall.com Web: www.chipsmall.com

Address: A1208, Overseas Decoration Building, #122 Zhenhua RD., Futian, Shenzhen, China

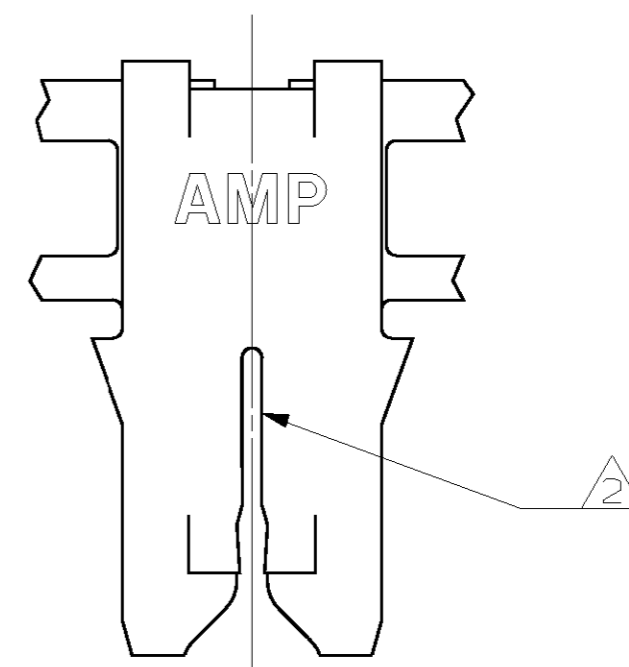
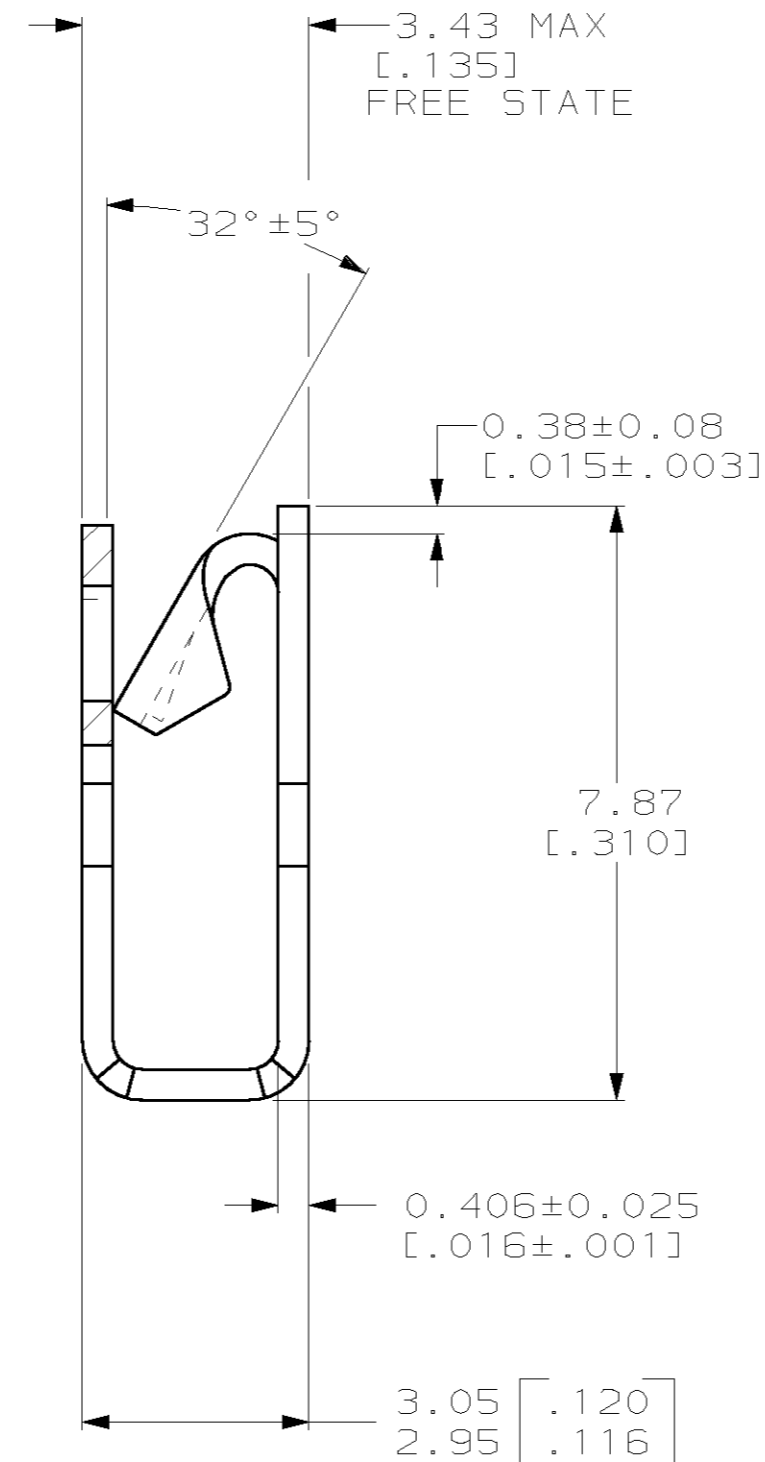
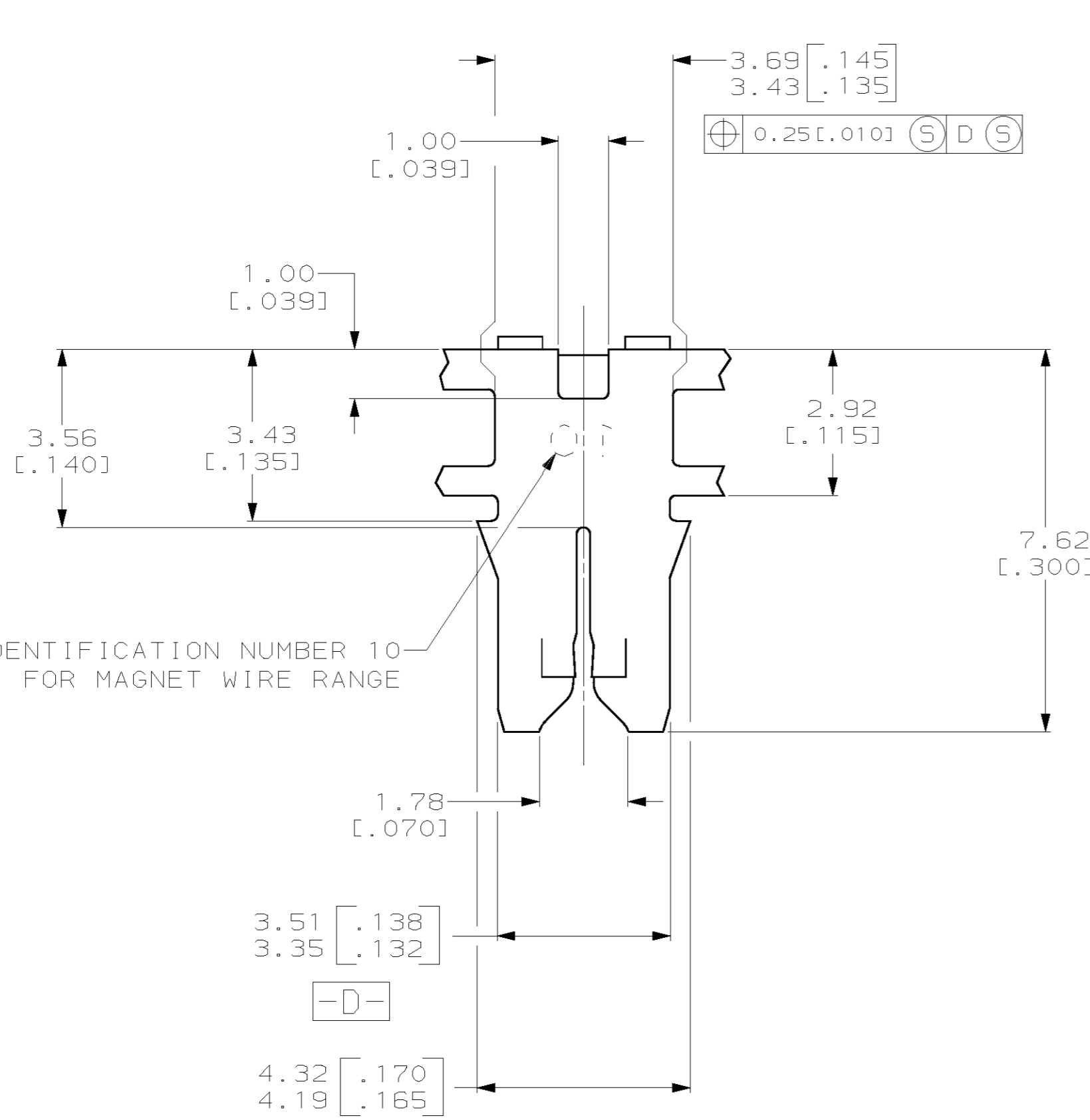


THIS DRAWING IS UNPUBLISHED. RELEASED FOR PUBLICATION .19
 BY AMP INCORPORATED. ALL RIGHTS RESERVED.

LOC	DIST	REVISIONS			
P	LTR	DESCRIPTION	DATE	DWN	APVD
AF	50	B	REVISED PER 063A-0451-00	24JUL00	MF KR



- 1 CONTINUOUS STRIP ON REELS WITH TERMINALS LOCATED ON 5.59±0.08 [.220±.003] CENTERS.
- 2 SLOT ACCEPTS 0.36-0.57mm [#27-#23] AWG COPPER MAGNET WIRE. A SINGLE WIRE ONLY.
- 3 POKE-IN ACCEPTS A 0.50-0.90mm² [#20-#18] AWG SOLID OR FUSED STRANDED LEAD WIRE.



1217182

WITHOUT PAPER	1217182-1
REELING	PART NUMBER

AMP AMP Incorporated
Harrisburg, PA 17105-3608

TERMINAL, POKE-IN,
300 SERIES MAG-MATE™

THIS DRAWING IS A CONTROLLED DOCUMENT.		DWN	26JUL1999
MICHAEL S. FEHER		CHK	26JUL1999
PETE DESANTIS		APVD	26JUL1999
KURT A. RANDOLPH		NAME	
PRODUCT SPEC		108-2012	
APPLICATION SPEC		114-2046	
MATERIAL		4M BRASS	
FINISH		0.002032 [.000080]	
MIN TIN PLATE			
WEIGHT		-	
CUSTOMER DRAWING			

SIZE	CAGE CODE	DRAWING NO	RESTRICTED TO
A2	00779	C-1217182	-
SCALE	10:1	SHEET	1 OF 1
REV	B		