



Chipsmall Limited consists of a professional team with an average of over 10 year of expertise in the distribution of electronic components. Based in Hongkong, we have already established firm and mutual-benefit business relationships with customers from,Europe,America and south Asia,supplying obsolete and hard-to-find components to meet their specific needs.

With the principle of “Quality Parts,Customers Priority,Honest Operation,and Considerate Service”,our business mainly focus on the distribution of electronic components. Line cards we deal with include Microchip,ALPS,ROHM,Xilinx,Pulse,ON,Everlight and Freescale. Main products comprise IC,Modules,Potentiometer,IC Socket,Relay,Connector.Our parts cover such applications as commercial,industrial, and automotives areas.

We are looking forward to setting up business relationship with you and hope to provide you with the best service and solution. Let us make a better world for our industry!



## Contact us

Tel: +86-755-8981 8866 Fax: +86-755-8427 6832

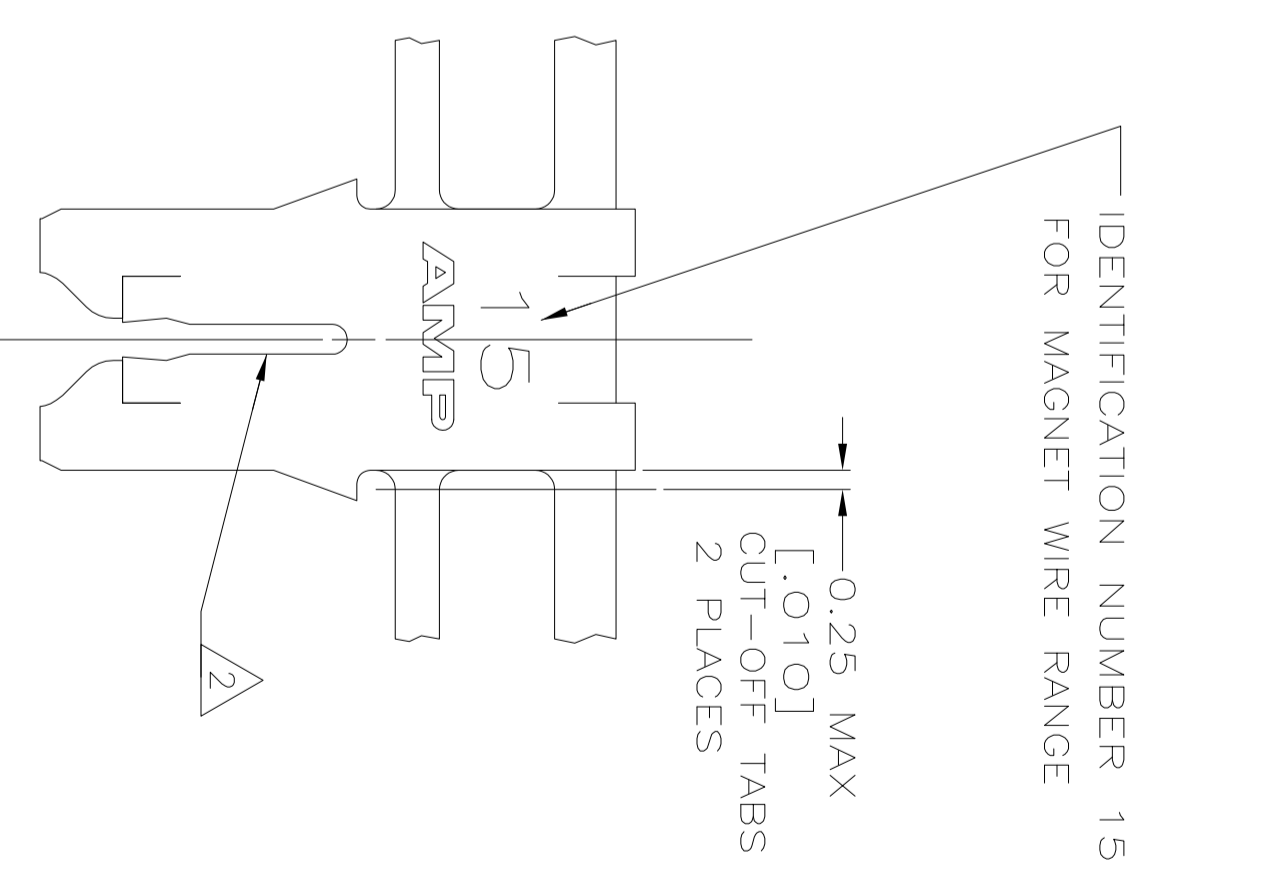
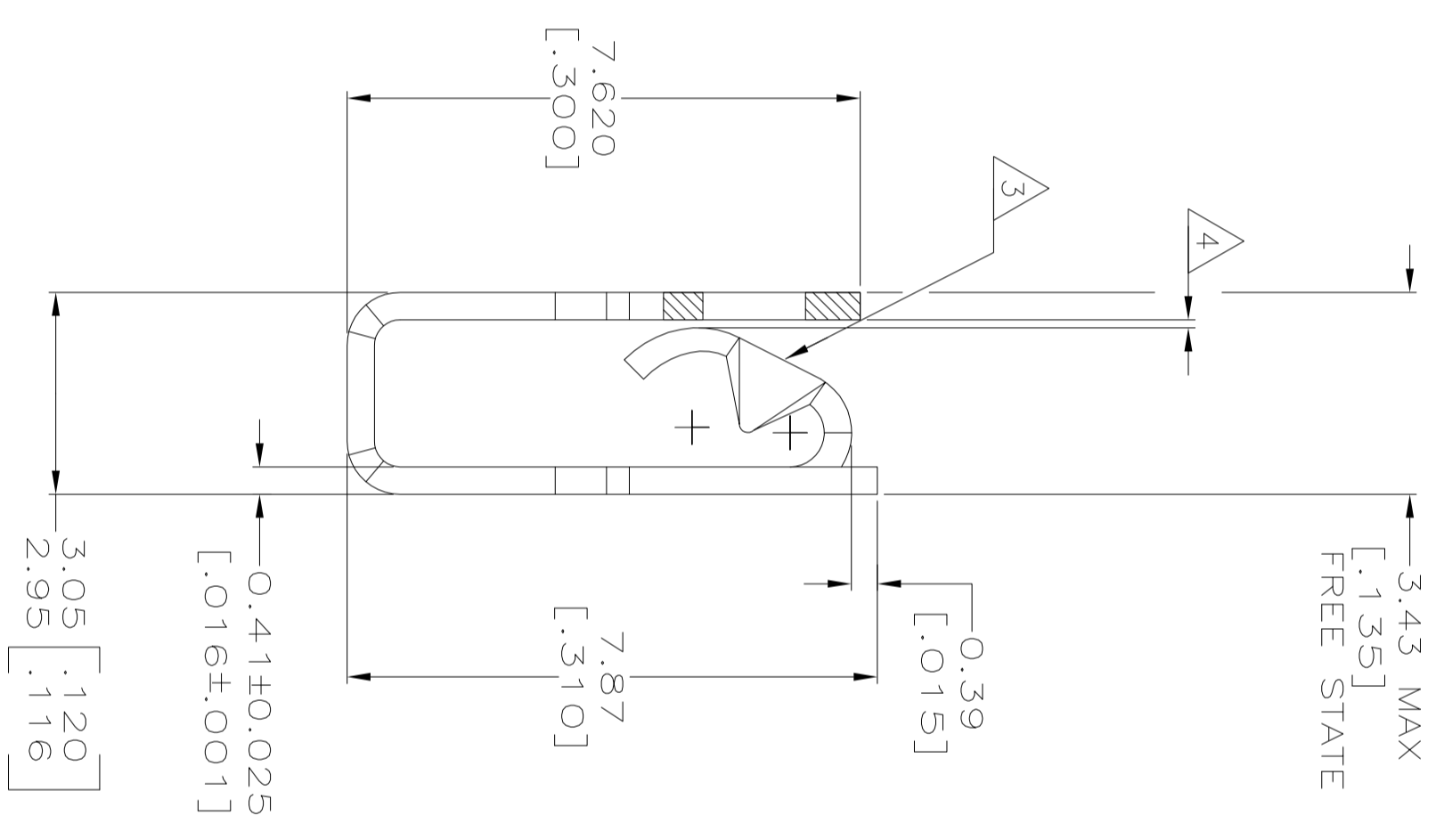
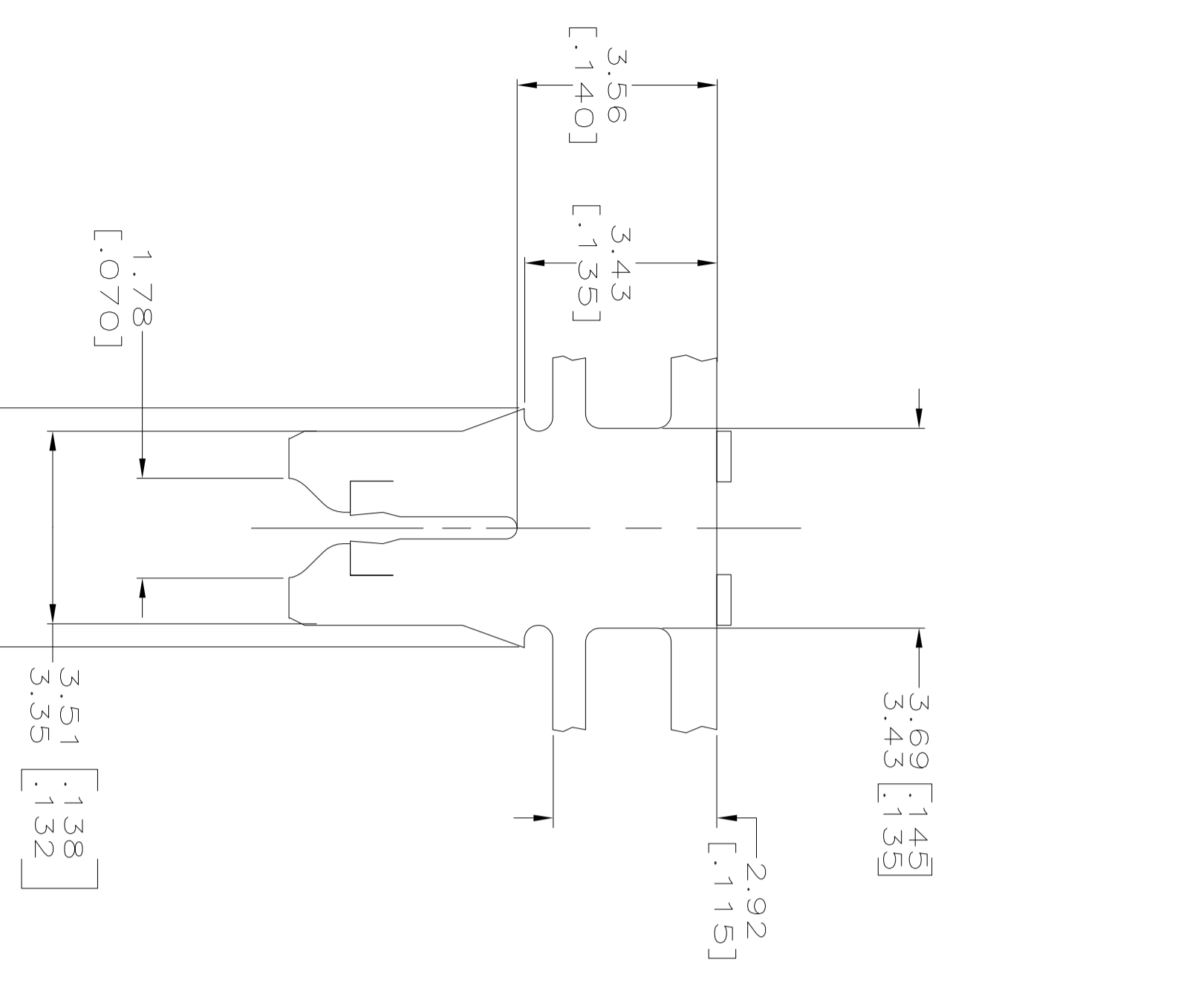
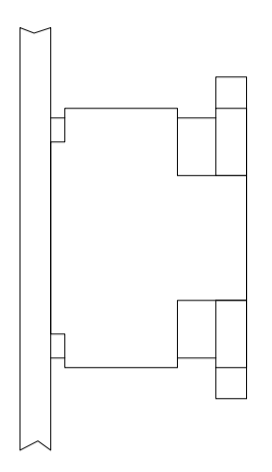
Email & Skype: info@chipsmall.com Web: www.chipsmall.com

Address: A1208, Overseas Decoration Building, #122 Zhenhua RD., Futian, Shenzhen, China



REVOLUTIONS		DATE	BY	APP'D
AF	50			
A2		26DEC12	CX	LL

- 1 CONTINUOUS STRIP ON REELS WITH TERMINALS LOCATED ON 5.59±0.08 [.220±.003] CENTERS
- 2 SLOT ACCEPTS A 0.54-0.64mm [#23.5-#22] AWG COPPER MAGNET WIRE.
- 3 MATES WITH STANDARD MAG-MATE STYLED POKE-IN TAB TERMINAL.
- 4 WHEN FREE STATE IS COMPRESSED TO 3.23 [.127] DIMENSION GAP BETWEEN SPRING AND CARRIER IS TO BE 0.30 [.012] MAX.
- 5 0.002032 [.000080] MIN TIN OVER 0.00127 [.000050] MIN NICKEL UNDERPLATE.
- 6 PRELIMINARY - NOT FOR PRODUCTION



OBSOLETE	REVERSED	1217190-2/6
OBSOLETE	STANDARD	1217190-1

DMN MICHAEL S. FEHER 19NOV1999 Tyco Electronics Corporation Harrisburg, PA 17105-3608

CHK KURT A. RANDOLPH 22NOV1999 Tyco Electronics Corporation Harrisburg, PA 17105-3608

APVD KURT A. RANDOLPH 22NOV1999 Tyco Electronics Corporation Harrisburg, PA 17105-3608

NAME SPECIAL LEAF CONTACT, 300 SERIES MAG-MATE

SIZE A2 Q&E CODE 00779 DRAWING NO. 1217190

WEIGHT 114-2046

CUSTOMER DRAWING