



Chipsmall Limited consists of a professional team with an average of over 10 year of expertise in the distribution of electronic components. Based in Hongkong, we have already established firm and mutual-benefit business relationships with customers from,Europe,America and south Asia,supplying obsolete and hard-to-find components to meet their specific needs.

With the principle of “Quality Parts,Customers Priority,Honest Operation,and Considerate Service”,our business mainly focus on the distribution of electronic components. Line cards we deal with include Microchip,ALPS,ROHM,Xilinx,Pulse,ON,Everlight and Freescale. Main products comprise IC,Modules,Potentiometer,IC Socket,Relay,Connector.Our parts cover such applications as commercial,industrial, and automotives areas.

We are looking forward to setting up business relationship with you and hope to provide you with the best service and solution. Let us make a better world for our industry!



Contact us

Tel: +86-755-8981 8866 Fax: +86-755-8427 6832

Email & Skype: info@chipsmall.com Web: www.chipsmall.com

Address: A1208, Overseas Decoration Building, #122 Zhenhua RD., Futian, Shenzhen, China



THIS DRAWING IS UNPUBLISHED.

RELEASED FOR PUBLICATION

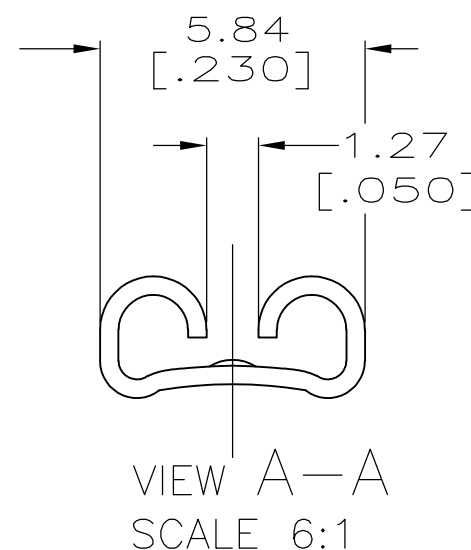
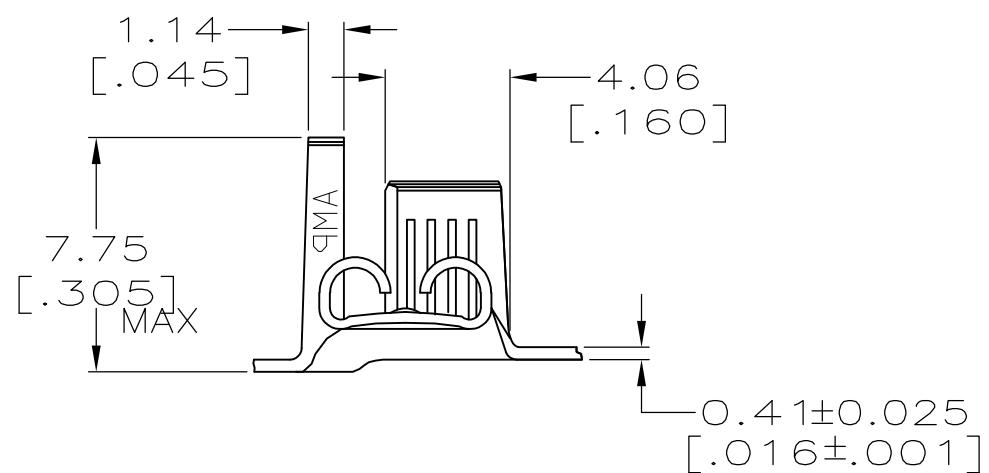
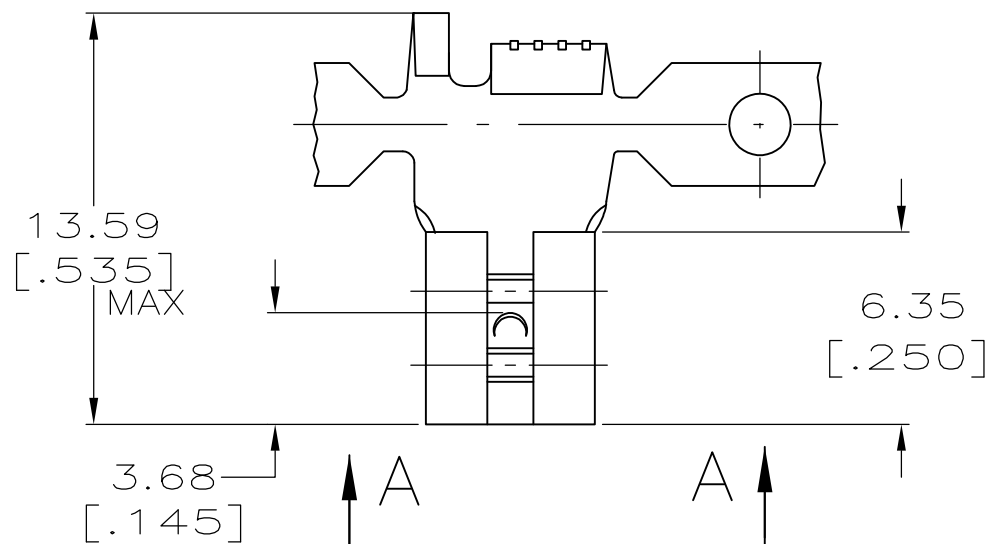
© COPYRIGHT - By -

ALL RIGHTS RESERVED.

LOC AF DIST 50


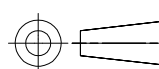
REVISIONS

| P | LTR | DESCRIPTION | DATE | DWN | APVD |
|---|-----|---------------------------|-----------|-----|------|
| | K | REVISED PER ECR-12-013518 | 23NOV2012 | KH | PD |



- 1 CONTINUOUS STRIP ON REELS.
- 2 FEED IS 16.51±0.076 [.650±.005].
- 3 ACCEPTS WIRE SIZE [#18-#14] AWG.
- 4 INSULATION RANGE TO BE 1.90-3.94 [.075-.155] DIA.
- 5 MATING TAB THK TO BE 0.813±0.025 [.032±.001].

| | |
|--------|-----------|
| TIN | 1217244-2 |
| - | 1217244-1 |
| FINISH | PART NO. |

| | | | | | | |
|--|--|-----------------------|--|-----------|-----------------|----------------------|
| THIS DRAWING IS A CONTROLLED DOCUMENT. | | DWN JR RUTH 19OCT99 |  TE Connectivity | | | |
| DIMENSIONS: mm [INCHES] | | CHK MS FEHER 19OCT99 | | | | |
| TOLERANCES UNLESS OTHERWISE SPECIFIED: | | APVD S HEADER 19OCT99 | NAME RECEPTACLE, FASTON, FLAG, 4.75 [.187] SERIES | | | |
|  0 PLC ± - 1 PLC ± - 2 PLC ± 0.25 [.010] 3 PLC ± - 4 PLC ± - ANGLES ± - | | PRODUCT SPEC - | RESTRICTED TO - | | | |
| MATERIAL BRASS | | FINISH SEE TABLE | APPLICATION SPEC - | SIZE A3 | CAGE CODE 00779 | DRAWING NO C-1217244 |
| CUSTOMER DRAWING | | | WEIGHT - | SCALE 4:1 | SHEET 1 OF 1 | REV K |