



Chipsmall Limited consists of a professional team with an average of over 10 year of expertise in the distribution of electronic components. Based in Hongkong, we have already established firm and mutual-benefit business relationships with customers from,Europe,America and south Asia,supplying obsolete and hard-to-find components to meet their specific needs.

With the principle of “Quality Parts,Customers Priority,Honest Operation,and Considerate Service”,our business mainly focus on the distribution of electronic components. Line cards we deal with include Microchip,ALPS,ROHM,Xilinx,Pulse,ON,Everlight and Freescale. Main products comprise IC,Modules,Potentiometer,IC Socket,Relay,Connector.Our parts cover such applications as commercial,industrial, and automotives areas.

We are looking forward to setting up business relationship with you and hope to provide you with the best service and solution. Let us make a better world for our industry!



Contact us

Tel: +86-755-8981 8866 Fax: +86-755-8427 6832

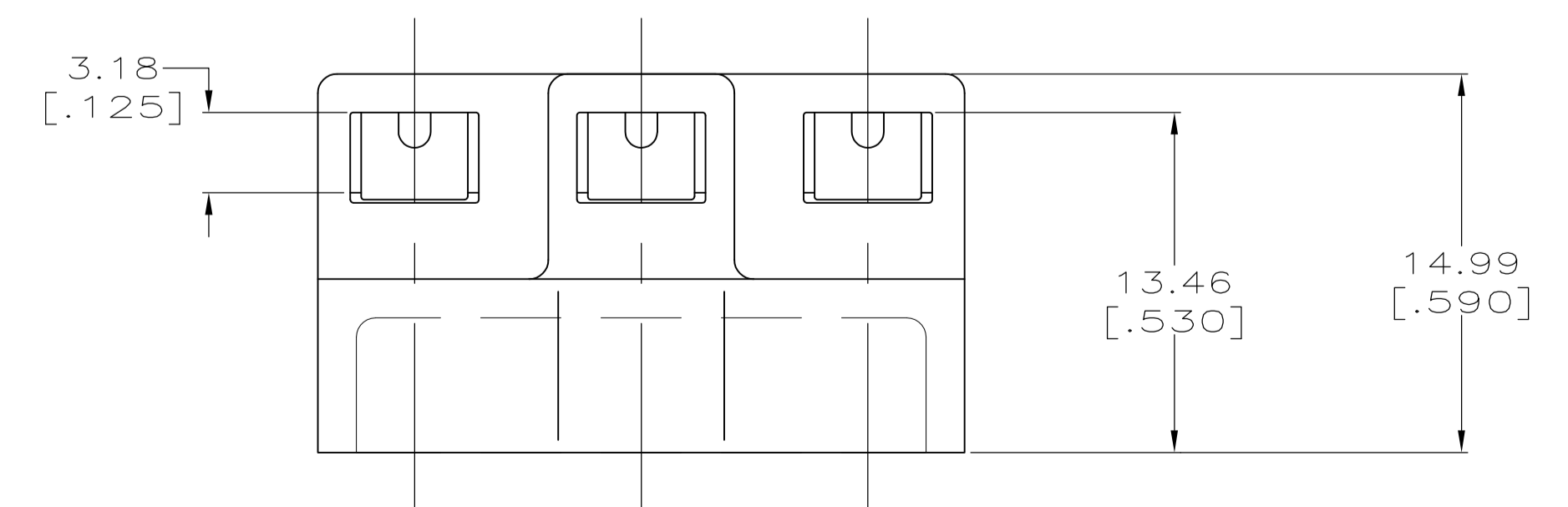
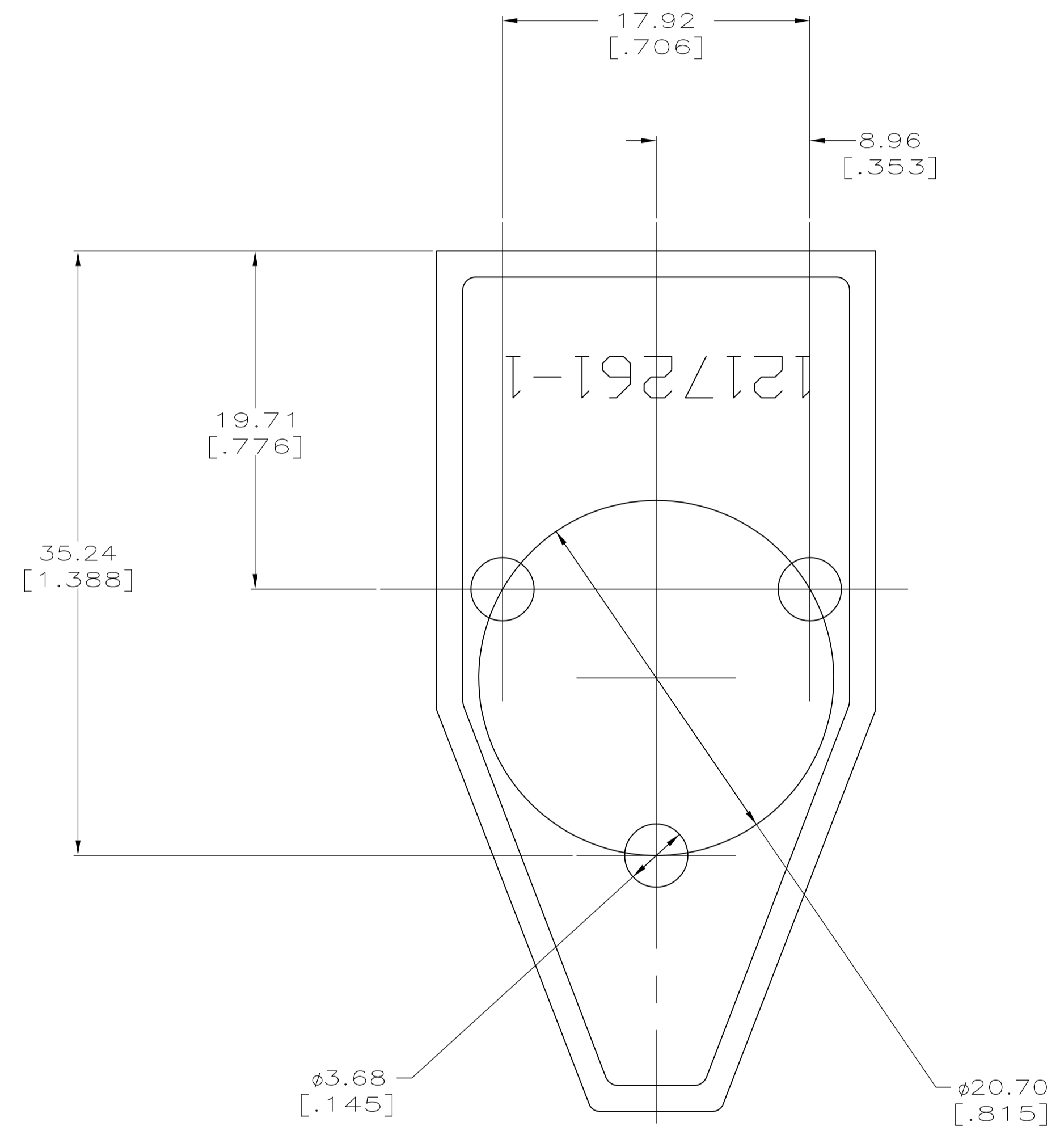
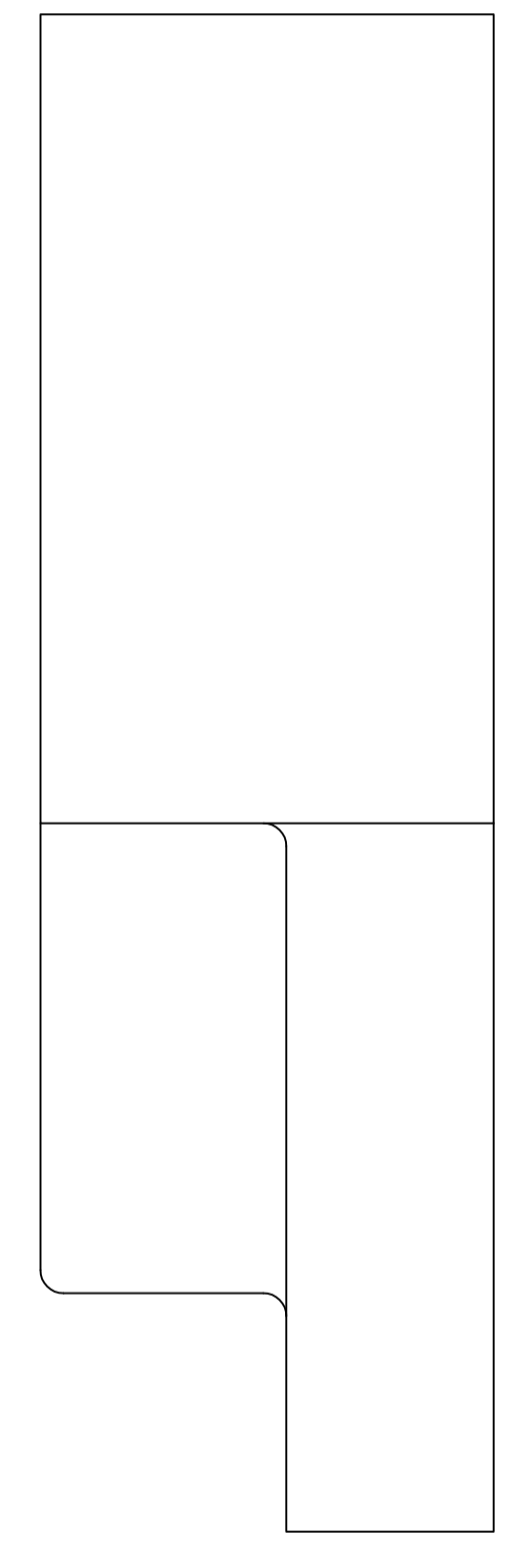
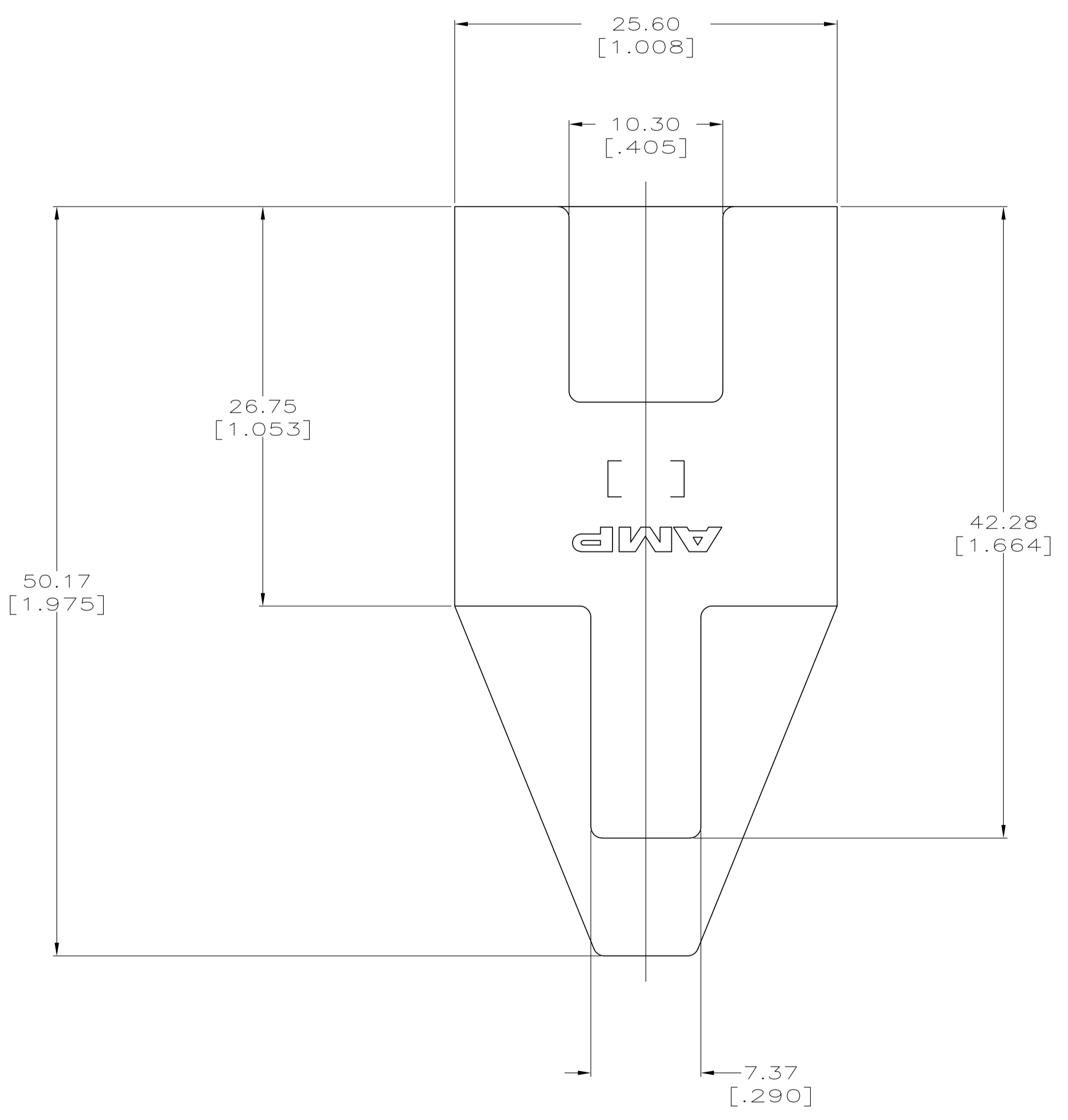
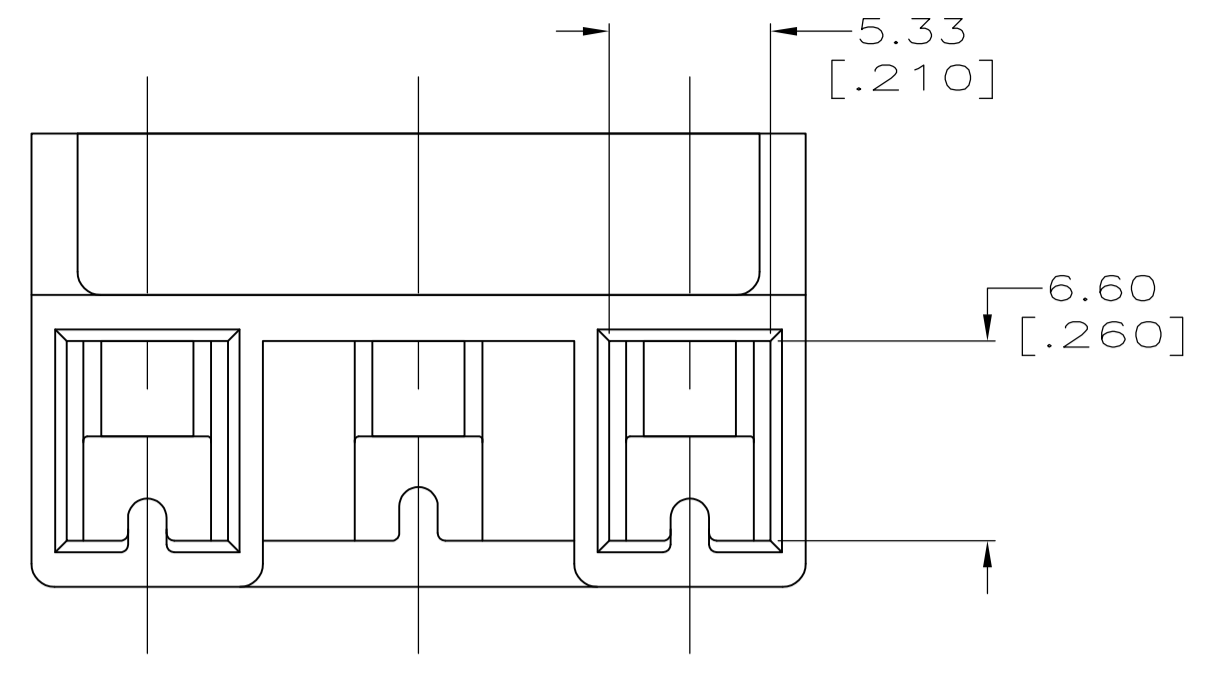
Email & Skype: info@chipsmall.com Web: www.chipsmall.com

Address: A1208, Overseas Decoration Building, #122 Zhenhua RD., Futian, Shenzhen, China



LOC		DIST		REVISIONS				
P	LTR	DESCRIPTION	DATE	DMN	APVD			
AF	50							
E		REVISED PER ECR-09-006852	22APR10	HMR	GJ			

1 HOUSING ACCEPTS 3.18 [.125] DIA CLUSTER BLOCK PIN RECEPTACLES.



1217261-1
PART NUMBER

THIS DRAWING IS A CONTROLLED DOCUMENT.		DIN MICHAEL S. FEHER 02NOV1999	Tyco Electronics Corporation Harrisburg, PA 17105	
DIMENSIONS: MM [INCHES]		CHK PETE DESANTIS 12NOV1999	Tyco Electronics	
TOLERANCES UNLESS OTHERWISE SPECIFIED:		APVD PETE DESANTIS 12NOV1999	NAME HOUSING, CLUSTER BLOCK, 3.18 [.125] DIA	
0 PLC ± -		PRODUCT SPEC	108-2008	
1 PLC ± -		APPLICATION SPEC	114-2019	
2 PLC ± 0.25[.010]		SIZE	A1	00779
3 PLC ± -		WEIGHT	C=1217261	
4 PLC ± -		MATERIAL PBT UNFILLED	CUSTOMER DRAWING	
ANGLES ± -		FINISH NATURAL	SCALE 4:1	SHEET 1 OF 1
		RESTRICTED TO		REV E